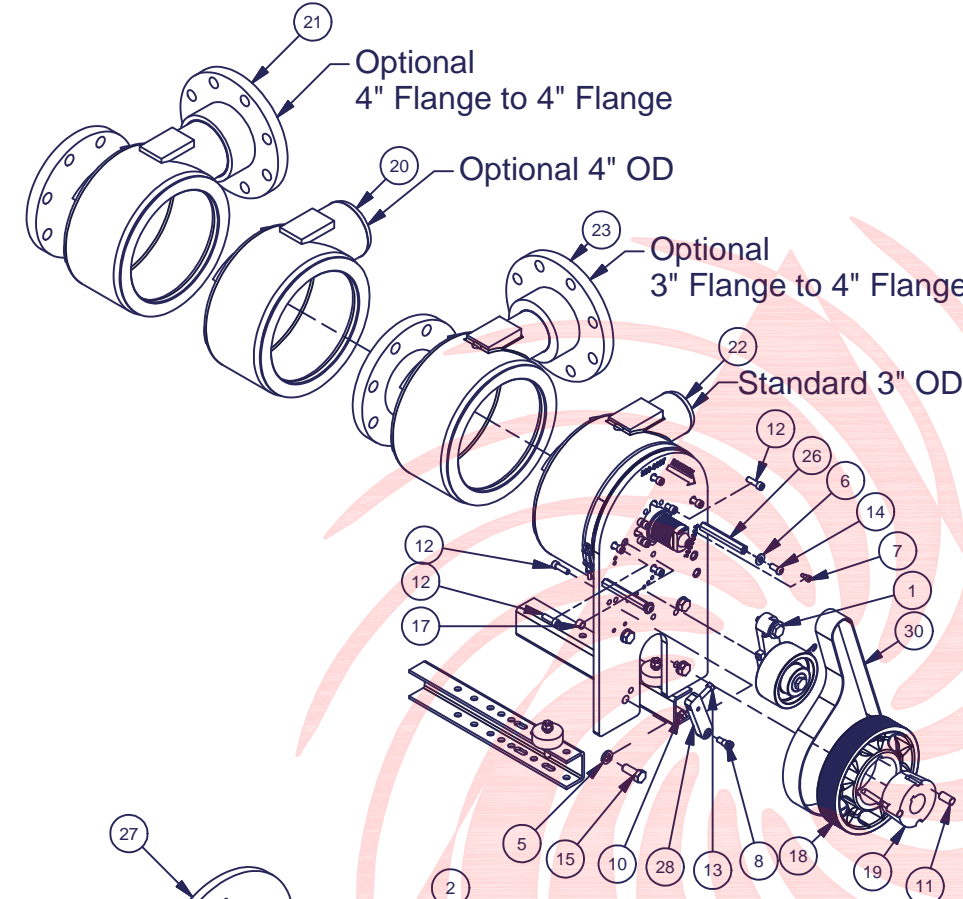
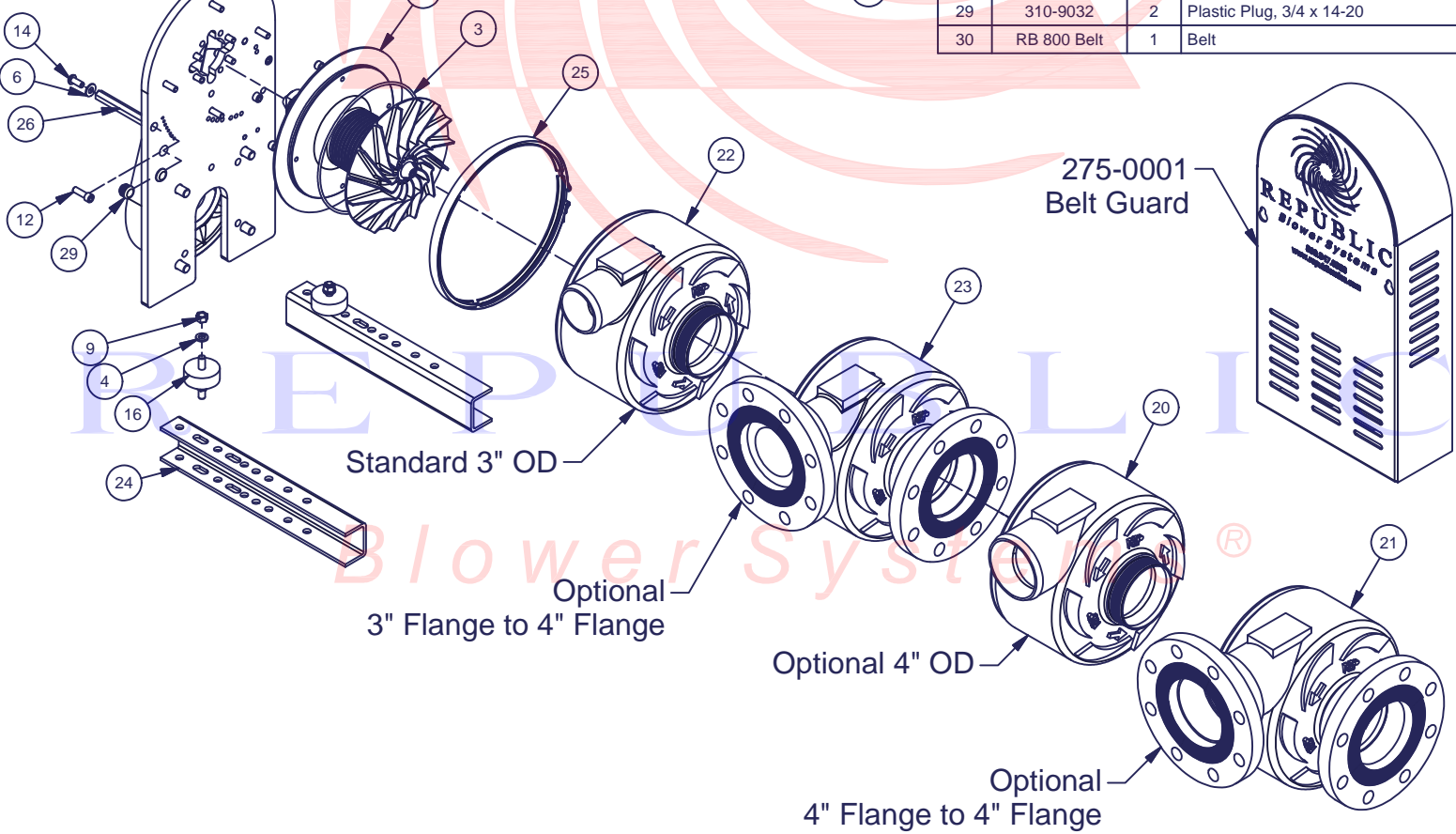




REPUBLIC
Blower Systems®



Bill of Materials			
ITEM	PART NUMBER	QTY	DESCRIPTION
1	200-0214	1	4" Steel Dbl Brg. T. P. Assembly
2	200-9xxx	1	Bearing Housing Assembly
3	210-0200	1	O-Ring 265 Viton (Housing)
4	210-0307	4	3/8 SS Split Lock Washer
5	210-0308	4	1/2 SS Split Lock Washer
6	210-0322	2	Washer, 5/16-18 SS Flat
7	210-0601	1	Shoulder Bolt (Ext. Spring)
8	210-0602	1	Shoulder bolt SS 3/8 X 3/8
9	210-0902	4	3/8-16 SS Hex Nut
10	210-0903	1	5/16-18 SS Hex Nut
11	210-1005	2	Set Screw 1/2-13 x 1" Soc Cup Pt
12	210-1602	11	Screw, 5/16-18 x 1 SS SHC
13	210-1606	1	Screw 5/16-18x2 SS HH Tap Bolt
14	210-1607	2	Screw, SS 5/16-18 x 3/4 Button Hd
15	210-1801	4	Screw, 1/2-13 x 1.25 SS Hex Hd
16	210-2200	2	Isolator Mount
17	210-2301	1	Helicoil 3/8-16, 11856CN375
18	230-1026	1	RB800 Cast Motor Pulley
19	230-4002	1	1-3/8" Bore Taper Lock Bushing
20	250-0300	1	4" Port CAST Blower Housing
21	250-0300FL	1	RB1200 Blower Flange Hsg
22	250-0301	1	3" Port CAST Blower Housing
23	250-0301FL	1	RB800 Blower Flanged Hsg
24	250-0650	2	Mount Motor
25	250-0900	1	Band Clamp
26	275-0100	2	Stand-Off
27	290-0007	1	RB800 Back Plate
28	290-0200P	1	Tension Block
29	310-9032	2	Plastic Plug, 3/4 x 14-20
30	RB 800 Belt	1	Belt



RB800 Retro Kit	200-8500
-----------------	----------