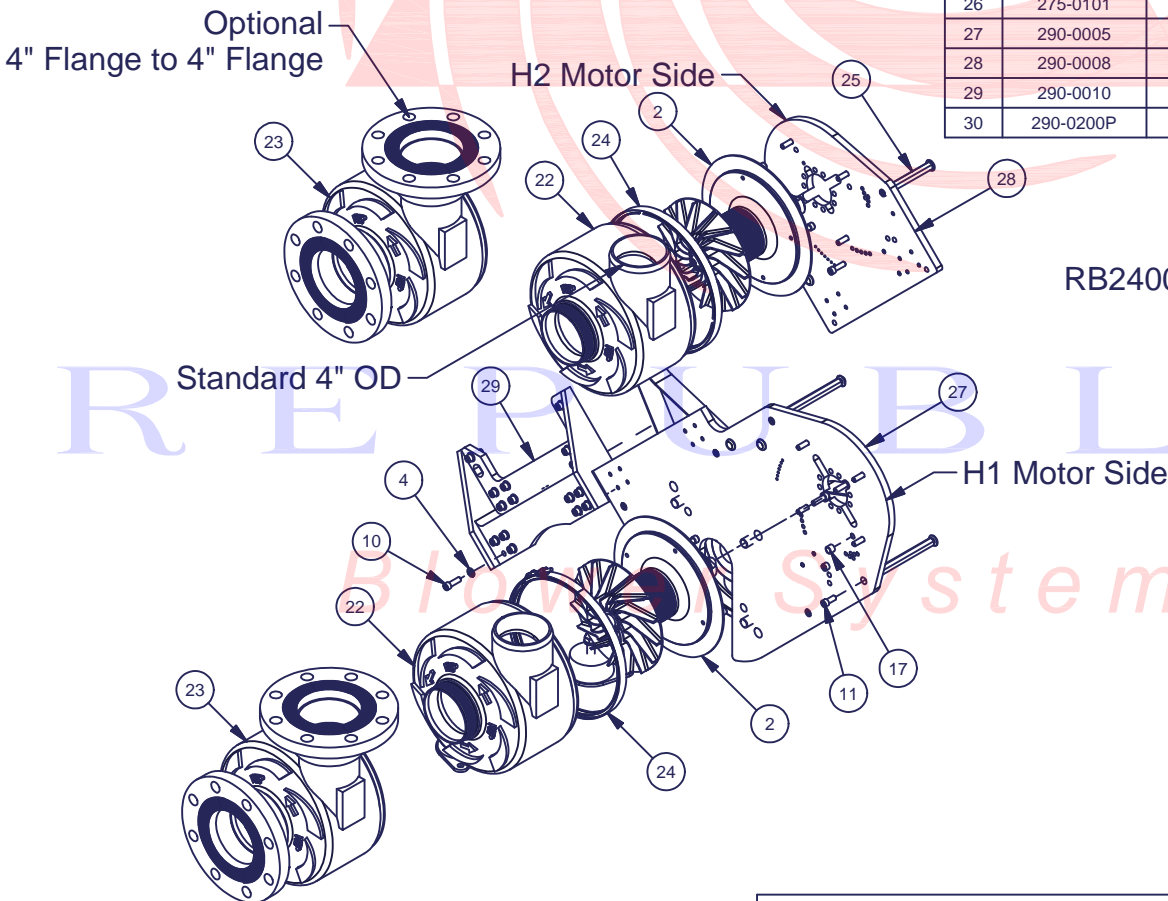
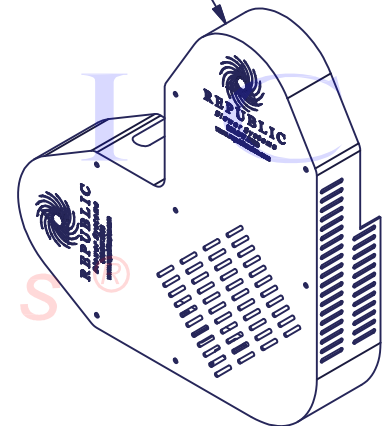


Bill of Materials			
ITEM	PART NUMBER	QTY	DESCRIPTION
1	200-0206	2	5" Steel Dbl Brg. T. P. Assembly
2	200-9xxx	2	RB1200 Balanced H/C Bearing Housing Assy
3	210-0308	4	1/2 SS Split Lock Washer
4	210-0318	18	5/16 SS Split Lock Washer
5	210-0322	7	Washer, 5/16-18 SS Flat
6	210-0601	2	Shoulder Bolt (Ext. Spring)
7	210-0602	2	Shoulder bolt SS 3/8 X 3/8
8	210-0903	2	5/16-18 SS Hex Nut
9	210-1005	2	Set Screw 1/2-13 x 1" Soc Cup Pt
10	210-1602	32	Screw, 5/16-18 x 1 SS SHC
11	210-1604	7	5/16-18 x 3/4 SS SHC Screw
12	210-1606	2	Screw 5/16-18x2 SS HH Tap Bolt
13	210-1607	7	Screw, SS 5/16-18 x 3/4 Button Hd
14	210-1608	4	5/16-18 x 1/2 SS SHC Screw
15	210-1802	4	Screw, 1/2-13 x 2 SS Hex Hd
16	210-2201	4	Isolator Mount, 661-30
17	210-2301	2	Helicoil 3/8-16, 11856CN375
18	230-1022	1	RB 2400 Motor Pulley
19	230-4003	1	1-5/8" Bore Taper Lock Bushing
20	230-5200K	1	Belt Kit
21	230-5600K	1	Belt Kit
22	250-0300	2	4" Port CAST Blower Housing
23	250-0300FLA	2	RB1200 Blower Flange Hsg
24	250-0900	2	Band Clamp
25	275-0100	2	Stand-Off
26	275-0101	5	Stand-Off 5-3/4 Lg.
27	290-0005	1	Large Moun ing Plate, RB2400
28	290-0008	1	Small Mounting Plate, RB2400
29	290-0010	1	RB2400 Support Brkt.
30	290-0200P	2	Tension Block



275-0003
RB2400 Belt Guard



RB2400 Retro Kit	200-9600
------------------	----------