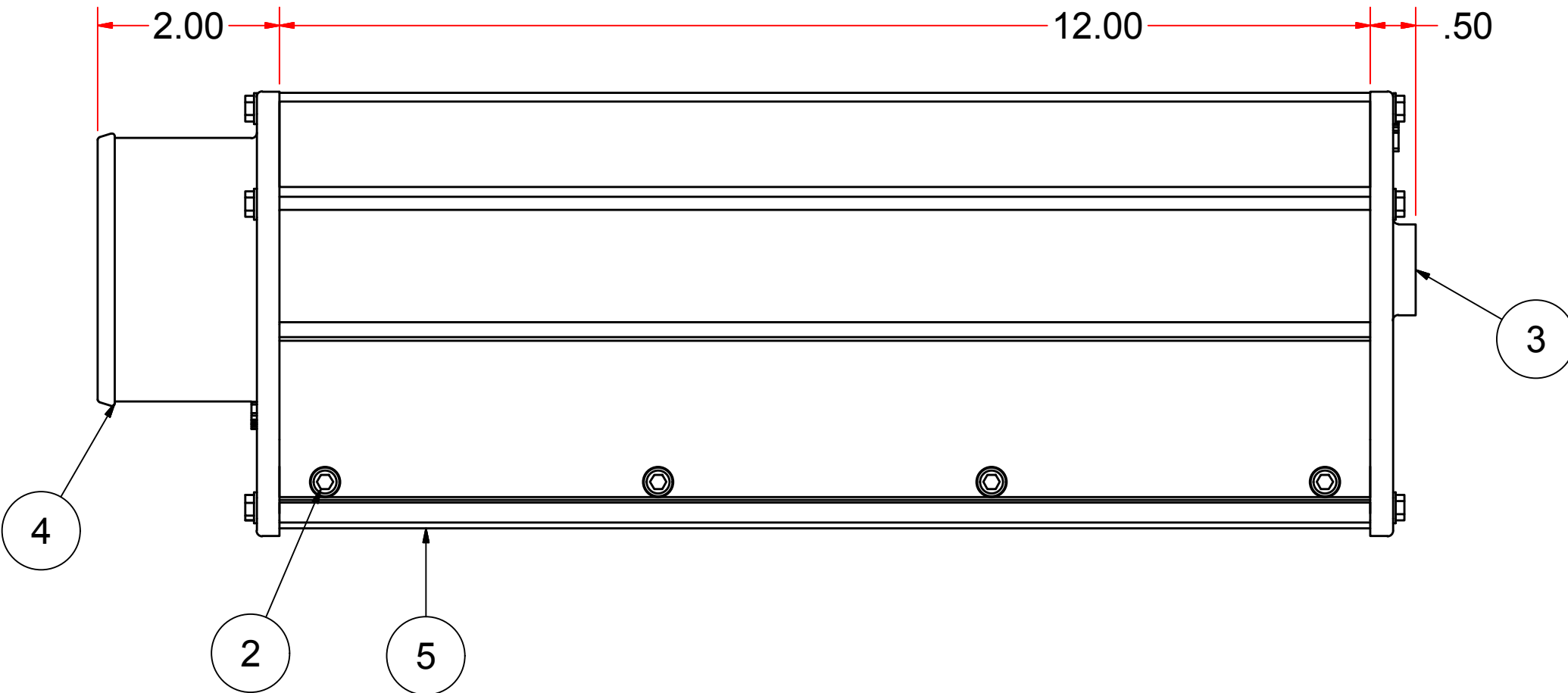
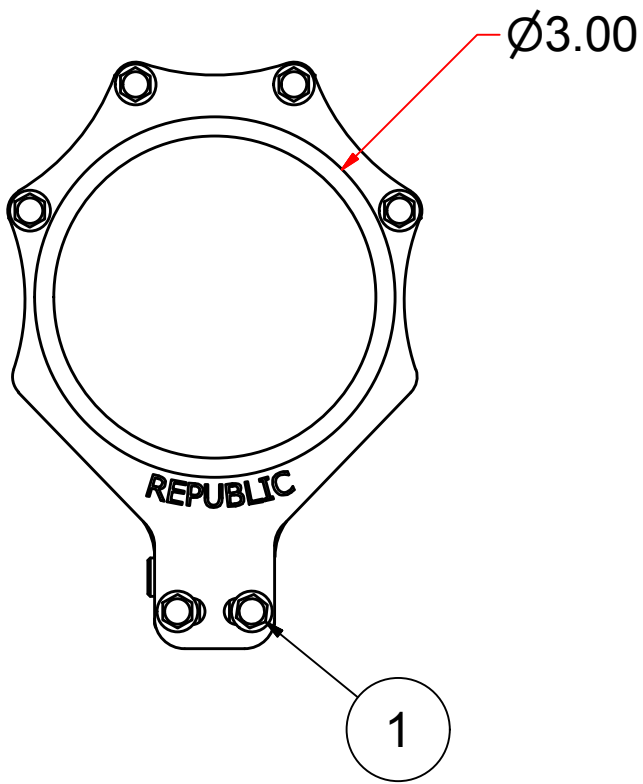


REVISIONS					
ECR#	REV	DESCRIPTIONS	DATE	REV BY	ZONE



5	310-4012CL-01	1	3" x 12" Aluminum A/K Body
4	310-3904	1	Cap, 3" Port End
3	310-3804	1	Cap, Threaded End
2	210-1400	4	Screw, #10-32 x 3/4 SS SHC
1	210-1305	12	Self Tap Screw, SS 8-18 x 3/4
ITEM	PART NUMBER	QTY	DESCRIPTION

Parts List

UNLESS OTHERWISE SPECIFIED ALL DIMENSIONS ARE IN INCHES ***TOLERANCES*** DECIMALS: .XXX = ± .005 .XX = ± .010		DRAWN W Hartman		3/21/2012		Republic Sales & Mfg. www.republicsales.com	
BREAK ALL SHARP EDGES MACHINE SURFACE FINISH IN RMS 125		ROUTING		QA		TITLE 3" Inlet x 12" Air Knife Aluminum	
NOTICE PROPRIETY RIGHTS INVOLVED THIS DOCUMENT AND ALL ACCOMPANYING INFORMATION AND DATA ARE AND REMAIN THE PROPERTY OF REPUBLIC SALES & MFG. AND ARE NOT TO BE COPIED, REPRODUCED, REPRODUCED, NOR TRANSMITTED OR DISCLOSED TO OTHERS WITHOUT EXPRESS WRITTEN PERMISSION AND ARE TO BE RETURNED UPON REQUEST. THEREFORE, ALL RIGHTS IN PROPRIETY AND NOVEL FEATURES OF THE SUBJECT MATTER ARE EXPRESSLY RESERVED BY REPUBLIC SALES & MFG. RECIPIENTS AGREEMENT TO THE FOREGOING IS INDICATED BY ACCEPTANCE OF THIS DOCUMENT.		MFG		APPROVED		SIZE C	
		MATERIAL		FINISH		DWG NO 310-4012CL	
						REV	
				SCALE		SHEET 1 OF 1	