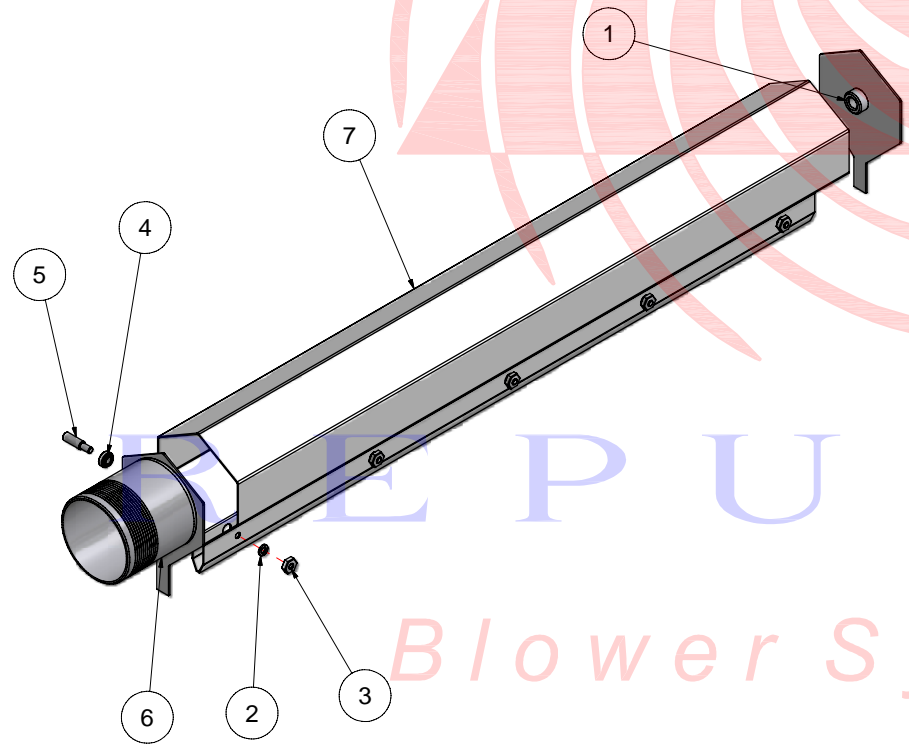
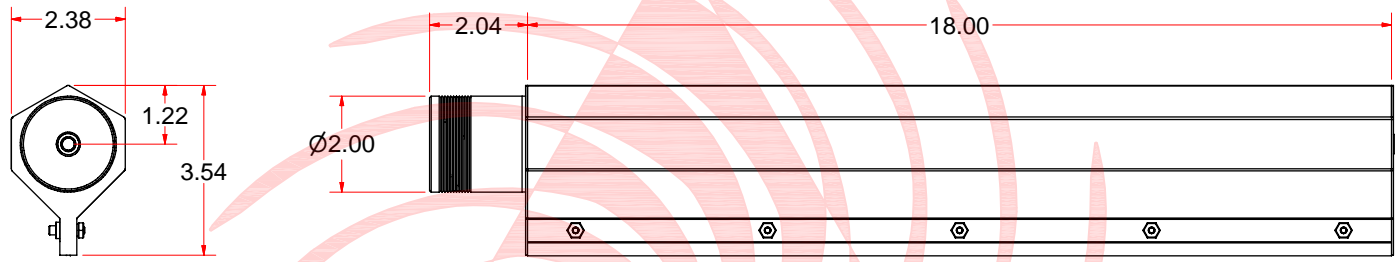


REVISIONS		DATE	REV BY	ZONE
ECR#	REV	DESCRIPTIONS		



ITEM	PART NUMBER	QTY	DESCRIPTION
7	312-4018S-01	1	2" x 12" SS A/K
6	312-3905S	1	2" SS End Plate Assy.
5	210-1003	5	A/K Set Screw #10 & #6 THDs
4	210-0913	5	Nut
3	210-0906	5	Nut, 6-32 SS Hex
2	210-0316	5	#6 SS Split Lock Washer
1	200-1016	1	2" SS Port End Cap Assy.

Parts List

UNLESS OTHERWISE SPECIFIED  
 ALL DIMENSIONS ARE IN INCHES  
 "TOLERANCES:"  
 DECIMALS: .XX ± .005  
 FRACTIONS: ± 1/32  
 ANGLES: ± 0°-30'  
 .XX ± .010  
 BREAK ALL SHARP EDGES.  
 MACHINE SURFACE FINISH IN RMS 125  
**NOTICE**  
 PROPRIETY RIGHTS INVOLVED.  
 THIS DOCUMENT AND ALL ACCOMPANYING INFORMATION AND DATA ARE AND REMAIN THE PROPERTY OF REPUBLIC SALES & MFG. AND ARE NOT TO BE COPIED, REPRODUCED, TRANSMITTED OR DISCLOSED TO OTHERS WITHOUT EXPRESS WRITTEN PERMISSION AND ARE TO BE RETURNED UPON REQUEST. THEREFORE, ALL RIGHTS IN PROPRIETY AND NOVEL FEATURES OF THE SUBJECT MATTER ARE EXPRESSLY RESERVED BY REPUBLIC SALES & MFG. ACCEPTANCE OF THIS DOCUMENT IS INDICATED BY ACCEPTANCE OF THIS DOCUMENT.

DRAWN	N Torres	6/30/2009
ROUTING		
QA		
MFG		
APPROVED		
MATERIAL		
FINISH		

<b>Republic Sales &amp; Mfg.</b> www.republicsales.com		
TITLE		
<b>2" x 18" SS A/K Assy.</b>		
SIZE	DWG NO	REV
C	312-4018S	
SCALE	SHEET 1 OF 1	