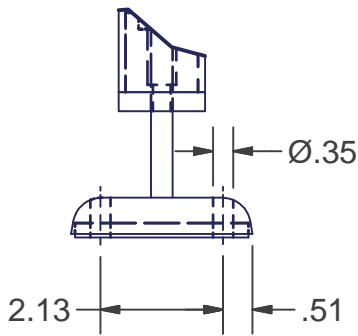
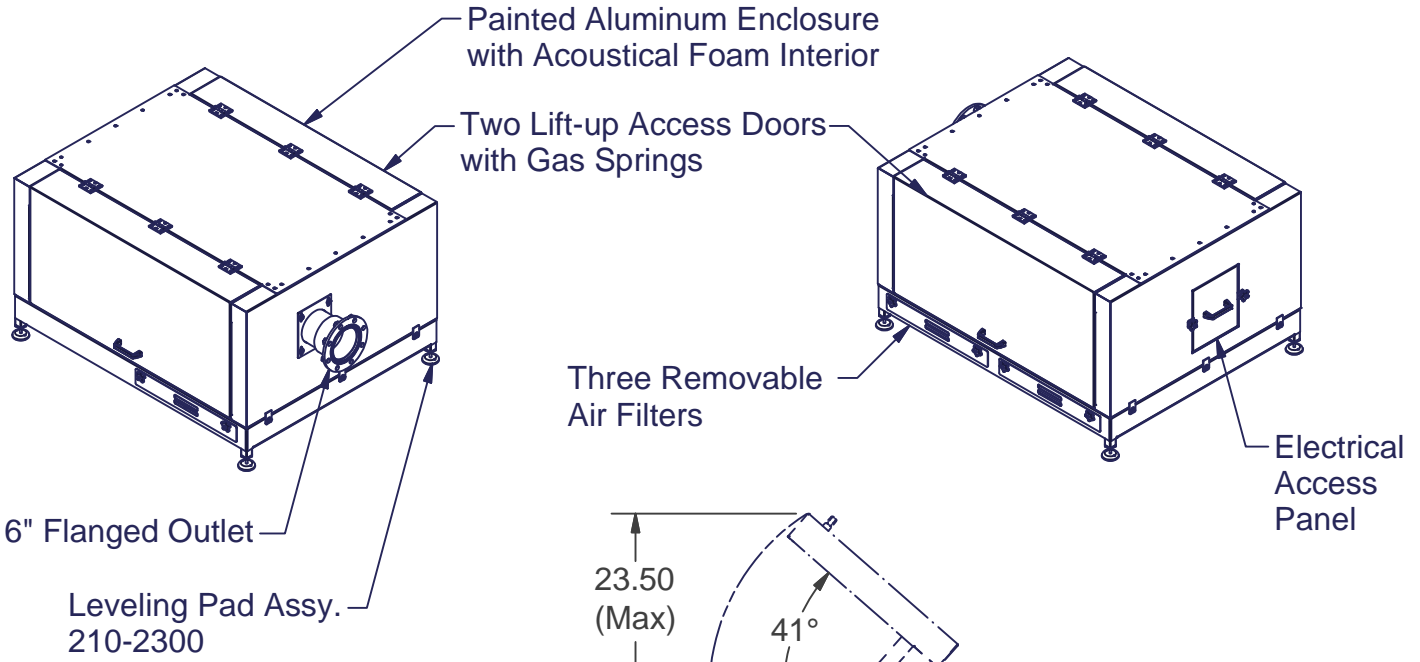
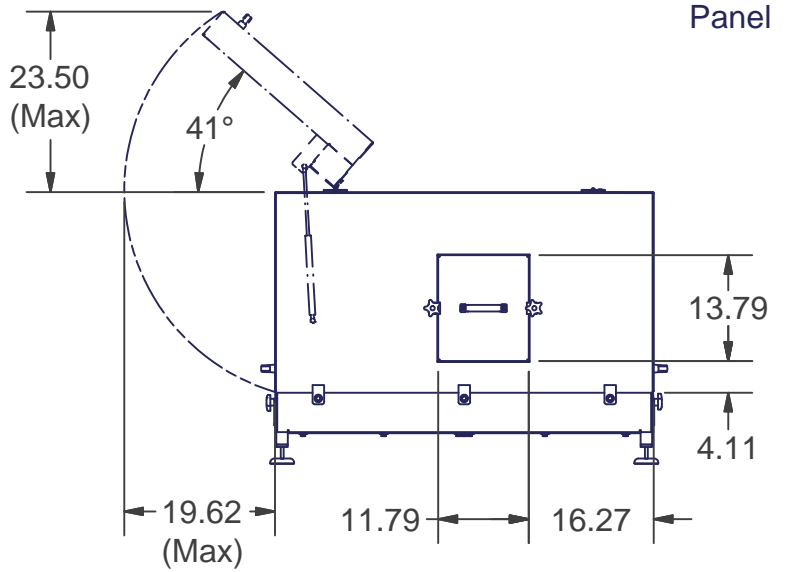




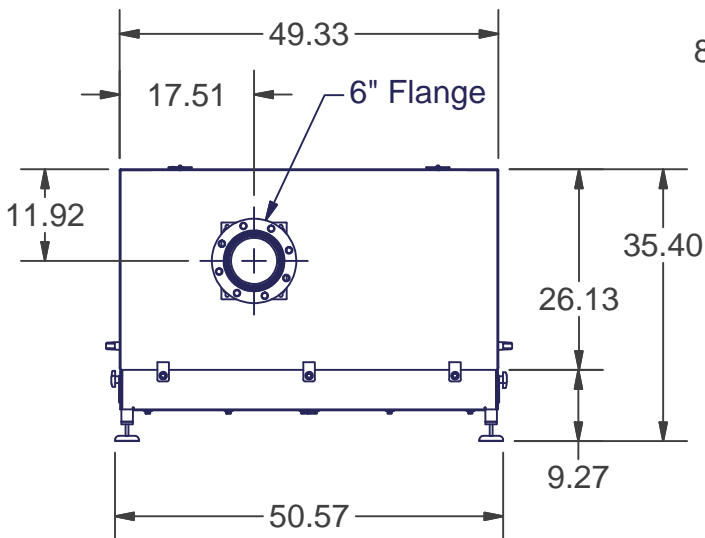
REPUBLIC



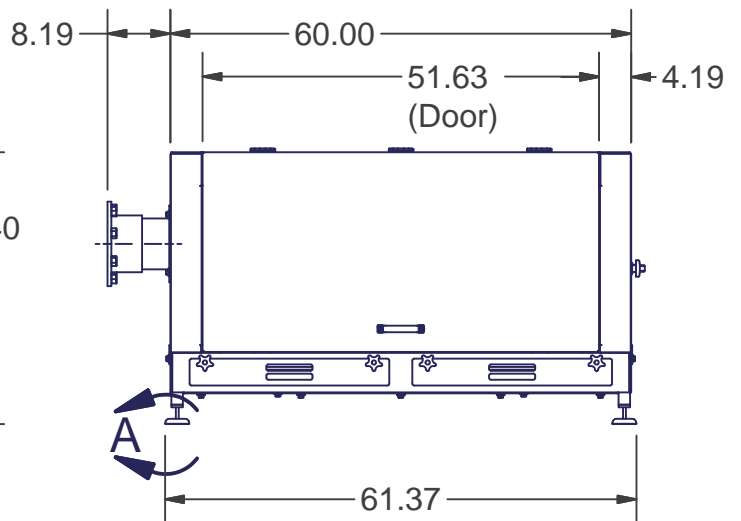
DETAIL A



RIGHT SIDE



LEFT SIDE



FRONT

| | |
|------------------|----------|
| RB4000 Enclosure | 350-3500 |
|------------------|----------|