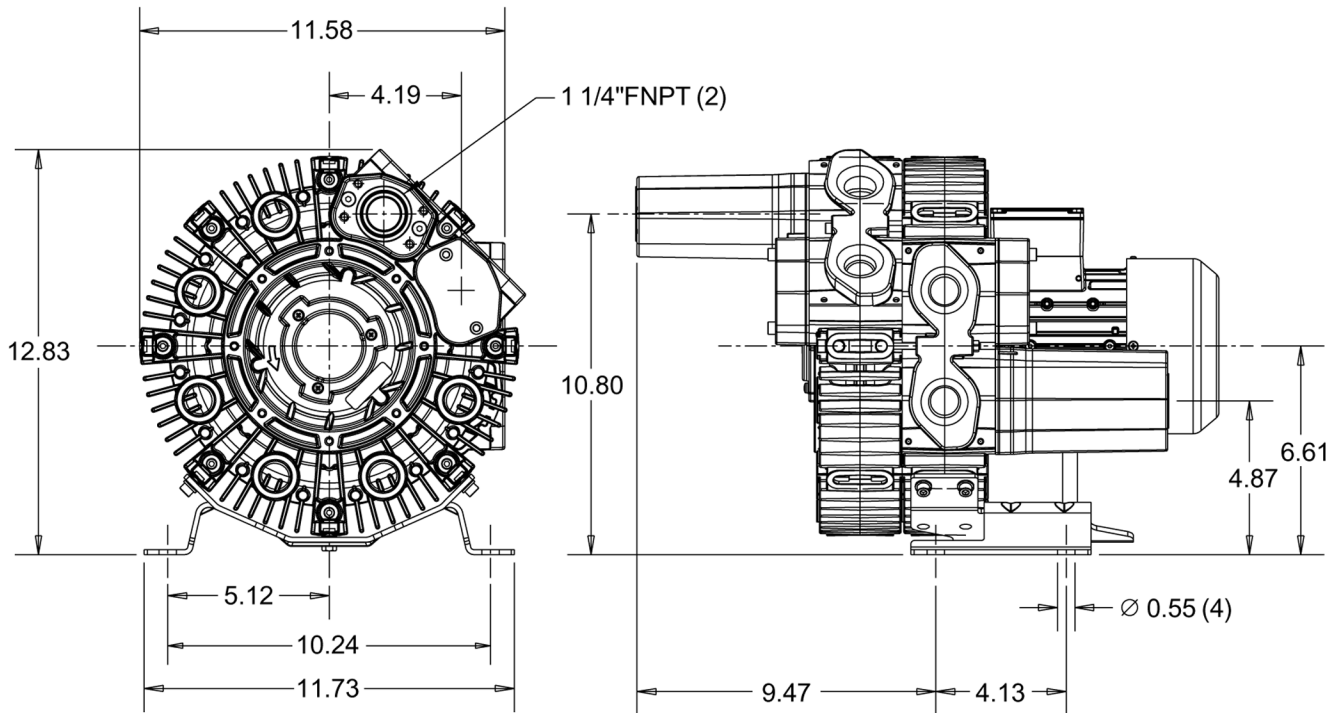




Republic High Pressure Regenerative Blower 4RB220

REPUBLIC
Blower Systems®



Advantages:

- ▲ Double-Stage blower
- ▲ Low noise level
- ▲ Maintenance-free
- ▲ Saves space and electricity
- ▲ Trouble-free installation
- ▲ Easy replacement of parts
- ▲ Oil Free

Model	Freq.	Motor (HP)	Current (A)		Sound Level (dB)	Rated Pressure (in. H ₂ O)	Rated Vacuum (in. H ₂ O)	Air flow (cfm)	Phase	Weight (lbs)
4RB220-H26	50 Hz	1.08	200-240V @ 4.0	345-415V @ 2.3	58	196.5	148.4	27.7	3	53
	60 Hz	1.25	220-275V @ 4.0	380-480V @ 2.3	62	192.5	176.5	35.3	3	53
4RB220-H56	50 Hz	2.01	200-240V @ 7.5	345-415V @ 4.3	58	260.7	148.4	27.7	3	62
	60 Hz	2.34	220-275V @ 7.5	380-480V @ 4.3	62	296.8	200.5	35.3	3	62
4RB220-A75	50 Hz	2.01	200-240V @ 9.7		58	240.6	148.4	27.7	1	67
	60 Hz	2.34	200-240V @ 10.3		62	264.7	168.5	35.3	1	67



Republic High Pressure Regenerative Blower 4RB220

REPUBLIC
Blower Systems®

— 50 Hz
— 60 Hz

