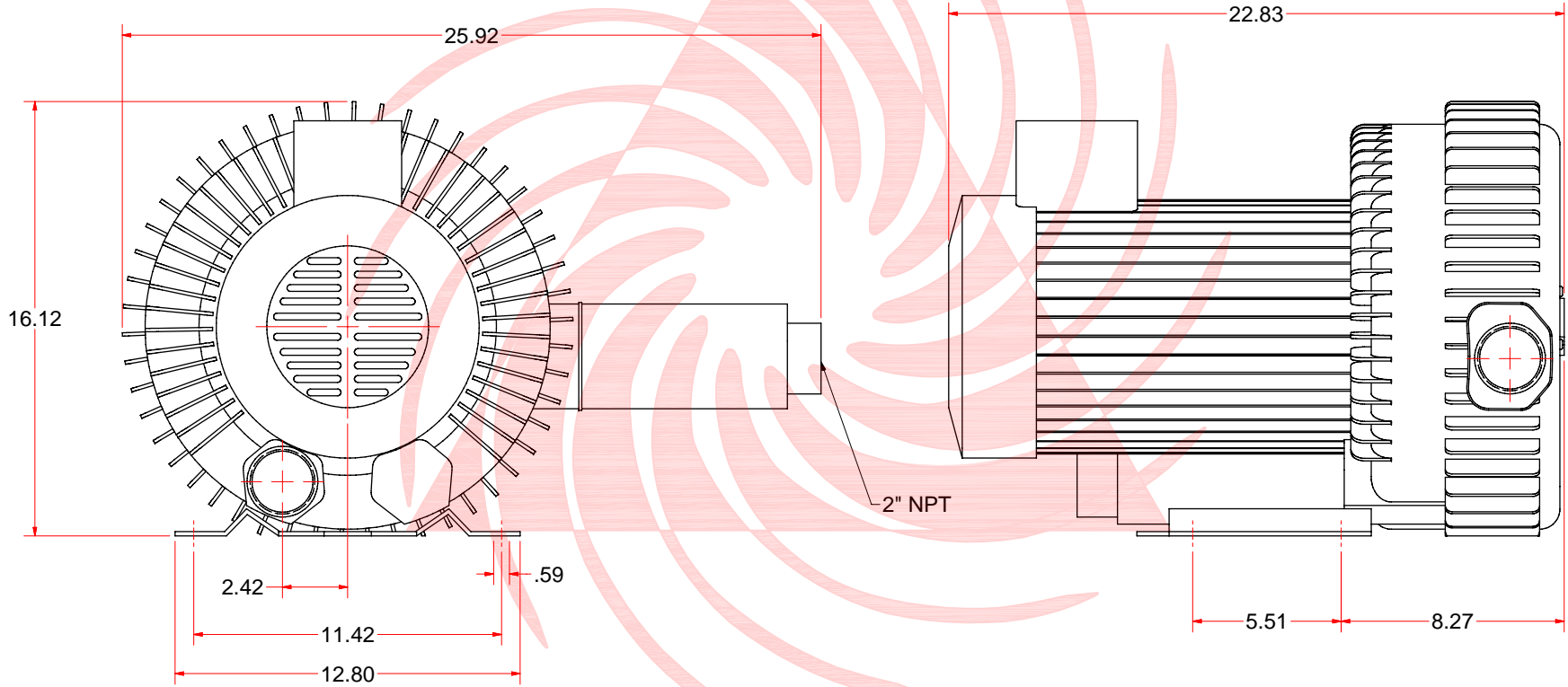


REVISIONS					
ECR#	REV	DESCR PTIONS	DATE	REV BY	ZONE



REPUBLIC

Blower Systems®

UNLESS OTHERWISE SPECIFIED ALL DIMENSIONS ARE IN INCHES		DRAWN N Torres	8/12/2009	Republic Sales & Mfg. www.republicsales.com	
DECIMALS: XXX = ± .005 XX = ± .010		ROUTING		TITLE	
FRACT ONS: ± 1/32		QA		Republic Sales Regen Blower	
ANGLES: ± 0° 30'		MFG		SIZE	DWG NO
BROKE ALL SHARP EDGES. MACHINE SURFACE FINISH IN RMS 125		APPROVED		C	HRB1002
NOTICE PROPERTY RIGHTS INVOLVED. THIS DOCUMENT AND ALL ACCOMPANYING INFORMATION AND DATA ARE AND REMAIN THE PROPERTY OF REPUBLIC SALES & MFG. AND ARE NOT TO BE COPIED, REPRODUCED, REPRINTED, TRANSMITTED OR DISCLOSED TO OTHERS WITHOUT EXPRESS WRITTEN PERMISSION AND ARE TO BE RETURNED UPON REQUEST. THEREFORE, ALL RIGHTS IN PROPERTY AND NOVEL FEATURES OF THE SUBJECT MATTER ARE EXPRESSLY RESERVED BY REPUBLIC SALES & MFG. RECIP ENTS AGREEMENT TO THE FOREGOING IS INDICATED BY ACCEPTANCE OF THIS DOCUMENT.		MATERIAL		SCALE	REV
		FINISH		SHEET 1	OF 1