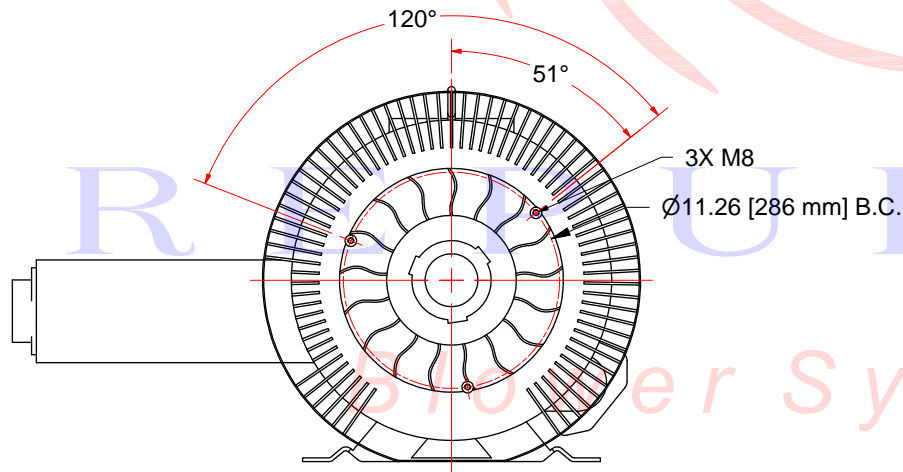
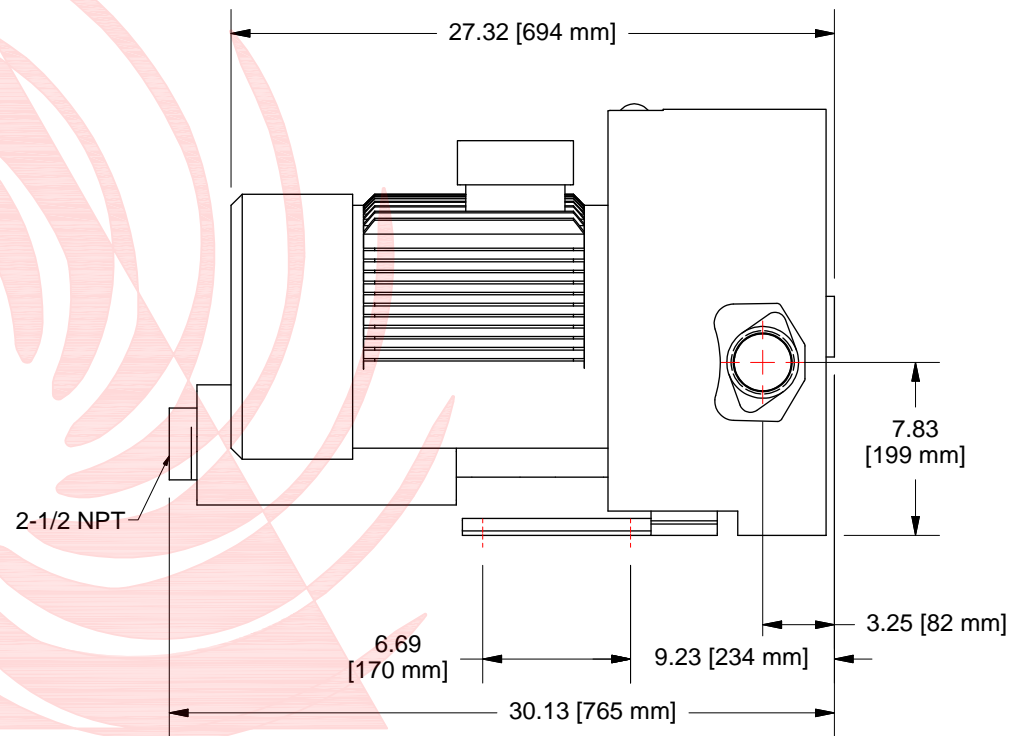
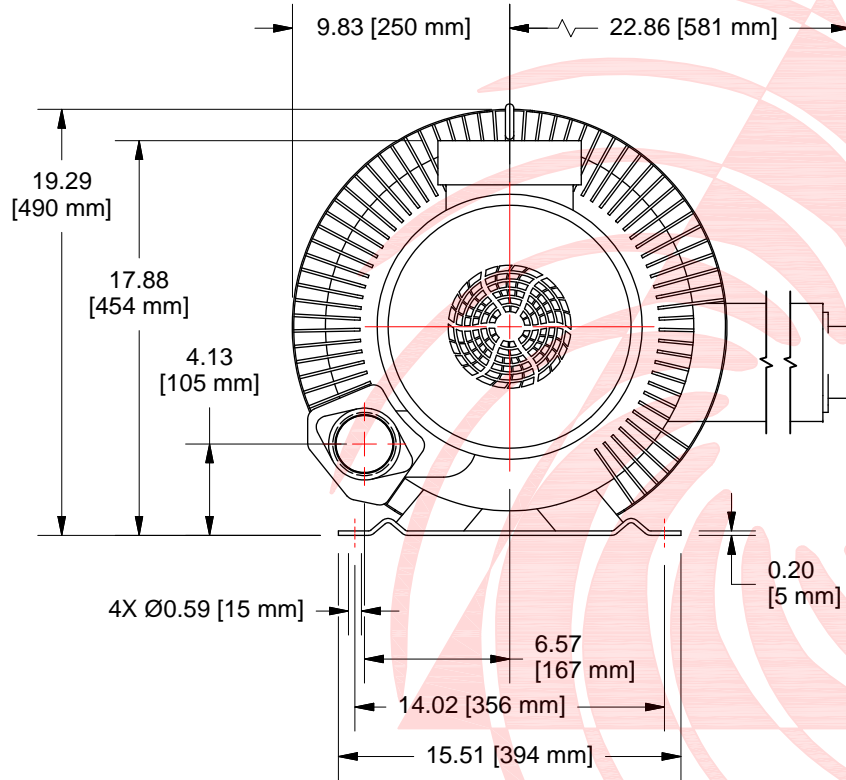


ECR#		REV	DESCR PTIONS	DATE	REV BY	ZONE



UNLESS OTHERWISE SPECIFIED ALL DIMENSIONS ARE IN INCHES			DRAWN R Tandy	2/22/2012	Republic Sales & Mfg. www.replicsales.com	
DECIMALS: XXX = ±.005 XX = ±.010	FRACT ONS: ± 1/32	ANGLES: ± 0° 30'	ROUTING			TITLE
BREAK ALL SHARP EDGES MACHINE SURFACE FINISH IN RMS 12.5			QA		Republic Sales Regen Blower	
NOTICE PROPRIETY RIGHTS INVOLVED THIS DOCUMENT AND ALL ACCOMPANYING INFORMATION AND DATA ARE AND REMAIN THE PROPERTY OF REPUBLIC SALES & MFG. AND ARE NOT TO BE COPIED, REPRODUCED, REPRODUCED, NOT TRANSMITTED OR DISCLOSED TO OTHERS WITHOUT EXPRESS WRITTEN PERMISSION AND ARE TO BE RETURNED UPON REQUEST. THEREFORE, ALL RIGHTS IN PROPRIETY AND NOVEL FEATURES OF THE SUBJECT MATTER ARE EXPRESSLY RESERVED BY REPUBLIC SALES & MFG. RECIP ENTS AGREEMENT TO THE FOREGOING IS INDICATED BY ACCEPTANCE OF THIS DOCUMENT			MPG			SIZE DWG NO
			APPROVED			C HRB1102
			MATERIAL		REV	
			FINISH		SCALE SHEET 1 OF 1	