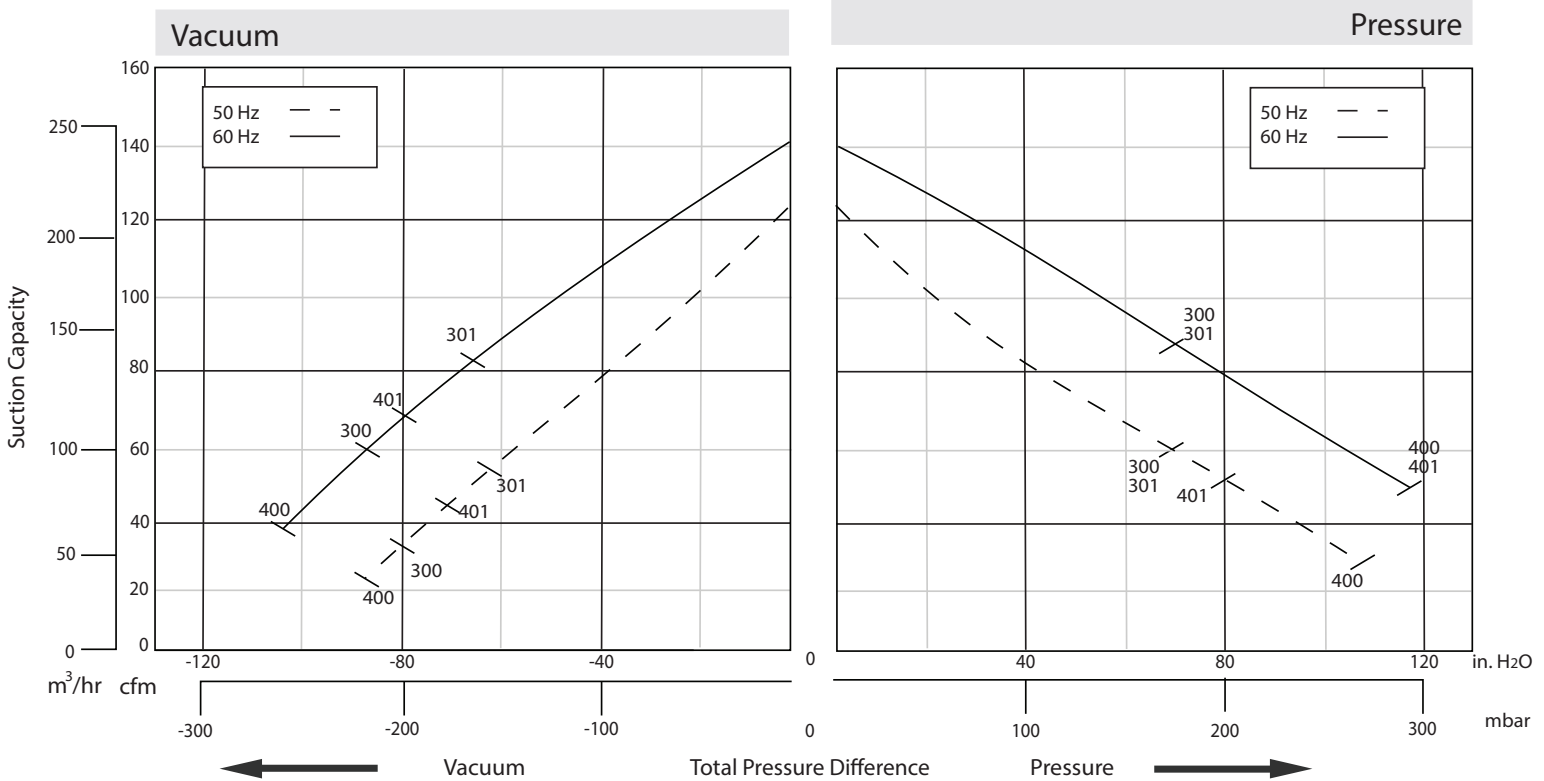


Republic offers a complete line of regenerative blowers for high vacuum or compressed air applications in both horizontal and vertical mounted positions. TEFC motors are rated for 50/60 Hz operation and are cUL, UL, and CE certified. The impeller is directly connected to the motor shaft, providing powerful air force without undue friction. The bearings are outside the compression chamber, ensuring maximum operational reliability under high differential pressure. This low-maintenance, oil-free design provides continuous, dependable service to our customers.



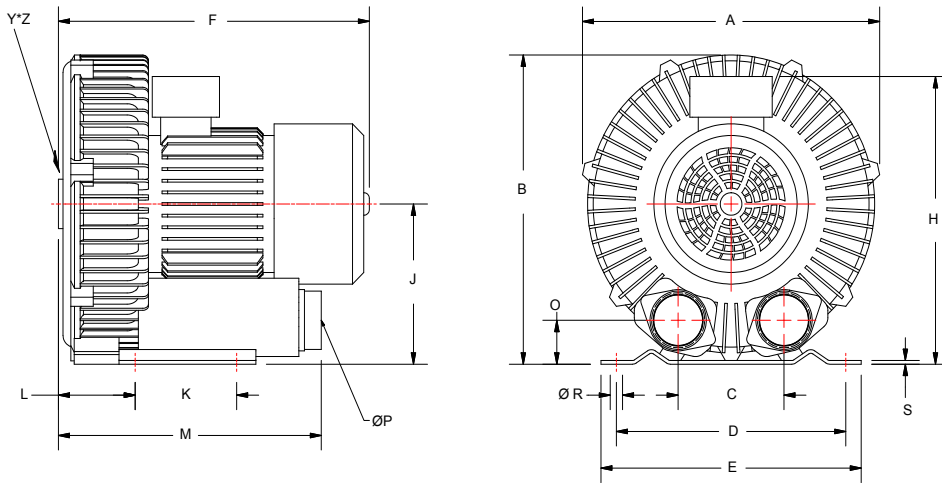
## PERFORMANCE



Model	Phase	Frequency (Hz)	Air flow (CFM/m <sup>3</sup> /hr)	Rated Vacuum (in. H <sub>2</sub> O/mbar)	Rated Pressure (in. H <sub>2</sub> O/mbar)	Motor (HP/kW)	Voltage (V)	Current (A)	Sound Level (dB)	Weight (lb/kg)
HRB 300	3	50	121/206	80/199	65/162	2.1/1.6	200-275 Δ/345-415 Y	7.6 Δ/4.3 Y	75	49/22
		60	141/240	88/219	65/162	2.7/2.0	220-275 Δ/380-480 Y	7.6 Δ/4.4 Y		
HRB 400	3	50	121/206	88/219	108/269	3.0/2.2	200-275 Δ/345-415 Y	9.7 Δ/5.6 Y	75	55/28
		60	141/240	104/259	116/289	3.4/2.5	220-275 Δ/380-480 Y	10.3 Δ/6.0 Y		
HRB 301	1	50	121/206	65/161	65/161	1.7/1.3	230	10.8	70	49/22
		60	141/240	67/168	67/168	2.0/1.5	115/230	21.3/11.8		
HRB 401	1	50	121/206	88/220	84/210	3.0/2.2	230	14.3	70	53/24
		60	141/240	96/240	108/270	3.4/2.5	115/230	30.0/15.0		

The performance curves are based on air at a temperature of 59 °F and an atmospheric pressure of 29.91 inch Hg with a tolerance of +/-10%. The total pressure differences are valid for inlet and ambient temperatures up to 77 °F. Suction capacity relates to inlet conditions. Pressure capacity relates to atmospheric conditions. For other conditions please contact Republic. Three phase motor tolerances are +/-10% for fixed voltage motors and +/-5% for voltage range motors. Single phase machines are designed with a +/-5% tolerance. The frequency tolerance is +/-2% maximum.

## APPROXIMATE DIMENSIONS

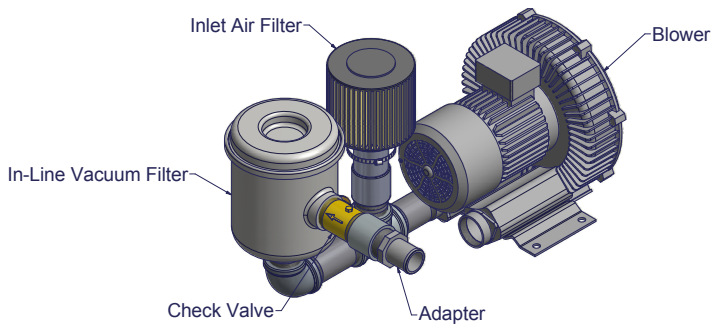


Model	Unit	A	B	C	D	E	F	H	J	K	L	M	O	ØP	ØR	S	Y*Z
HRB 300	in	13.27	13.30	4.72	10.24	11.61	13.87	12.38	6.89	4.53	3.43	11.73	1.89	2.00	0.55	0.16	M8
	mm	337	338	120	260	295	352	314	175	115	87	298	48			4	
HRB 400	in	13.27	13.30	4.72	10.24	11.61	13.87	12.38	6.89	4.53	3.43	11.73	1.89	2.00	0.55	0.16	M8
	mm	337	338	120	260	295	352	314	175	115	87	298	48			4	
HRB 301	in	13.27	13.30	4.72	10.24	11.75	12.61	12.25	6.89	4.53	3.43	11.98	1.89	2.00	0.55	0.16	M8
	mm	337	338	120	260	298	320	311	175	115	87	304	48			4	
HRB 401	in	13.27	13.30	4.72	10.24	11.75	12.61	12.25	6.89	4.53	3.43	11.96	1.89	2.00	0.55	0.16	M8
	mm	337	338	120	260	298	320	311	175	115	87	304	48			4	

## Available Options

All Republic Regenerative Blowers are available in pre-assembled kits for either pressure or vacuum applications. These kits include an inlet filter, gauge and relief valve, and are factory tested prior to shipment. Optional items for these kits include check valve, and tube adaptor; washdown motors, explosion proof motors, or other specialty motors; noise enclosures; and control panels such as VFD's, PLC's, or starter panels.

### VACUUM KIT



### PRESSURE KIT

