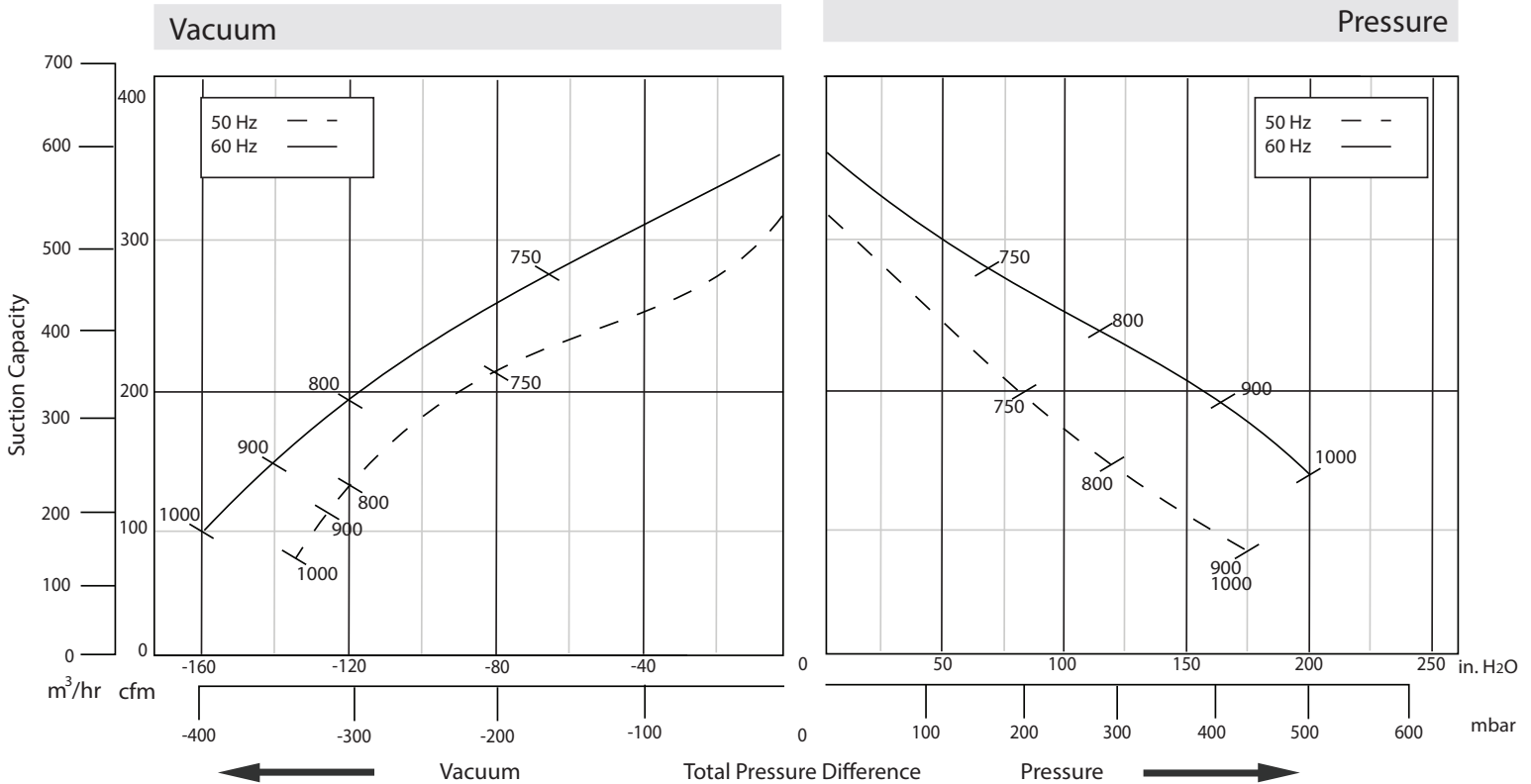


Republic offers a complete line of regenerative blowers for high vacuum or compressed air applications in both horizontal and vertical mounted positions. TEFC motors are rated for 50/60 Hz operation and are cUL, UL, and CE certified. The impeller is directly connected to the motor shaft, providing powerful air force without undue friction. The bearings are outside the compression chamber, ensuring maximum operational reliability under high differential pressure. This low-maintenance, oil-free design provides continuous, dependable service to our customers.



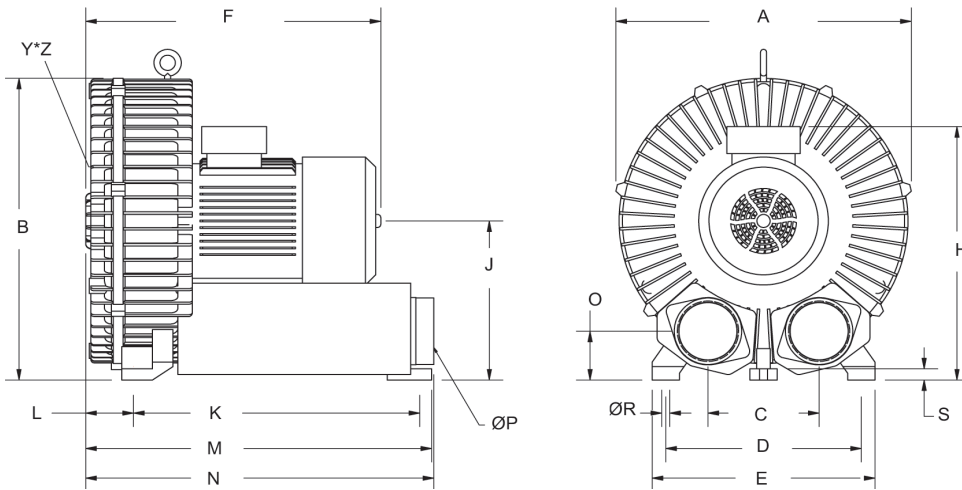
PERFORMANCE



Model	Phase	Frequency (Hz)	Air flow (CFM/m ³ /hr)	Rated Vacuum (in. H ₂ O/mbar)	Rated Pressure (in. H ₂ O/mbar)	Motor (HP/kW)	Voltage (V)	Current (A)	Sound Level (dB)	Weight (lb/kg)
HRB 750	3	50	317/539	80/200	80/200	5.4/4.0	200-240 Δ/345-415 Y	15.6 Δ/9.0 Y	78	120/60
		60	353/600	64/159	64/159	6.2/4.6	220-275 Δ/380-480 Y	15.6 Δ/9.0 Y		
HRB 800	3	50	317/539	120/299	120/299	7.4/5.5	200-240 Δ/345-415 Y	23.0 Δ/13.3 Y	78	143/72
		60	353/600	120/299	112/279	8.4/6.3	220-275 Δ/380-480 Y	23.0 Δ/13.3 Y		
HRB 900	3	50	317/539	128/319	173/431	10.1/7.5	200-240 Δ/345-415 Y	29.0 Δ/16.7 Y	78	150/75
		60	353/600	141/351	161/401	11.5/8.6	220-275 Δ/380-480 Y	30.0 Δ/17.3 Y		
HRB 1000	3	50	317/539	138/344	173/431	13.1/9.8	200-240 Δ/345-415 Y	40.0 Δ/20.0 Y	78	265/121
		60	353/600	158/394	200/498	15.0/11.2	220-275 Δ/380-480 Y	40.0 Δ/20.0 Y		

The performance curves are based on air at a temperature of 59 °F and an atmospheric pressure of 29.91 inch Hg with a tolerance of +/-10%. The total pressure differences are valid for inlet and ambient temperatures up to 77 °F. Suction capacity relates to inlet conditions. Pressure capacity relates to atmospheric conditions. For other conditions please contact Republic. Three phase motor tolerances are +/-10% for fixed voltage motors and +/-5% for voltage range motors. Single phase machines are designed with a +/-5% tolerance. The frequency tolerance is +/-2% maximum.

APPROXIMATE DIMENSIONS

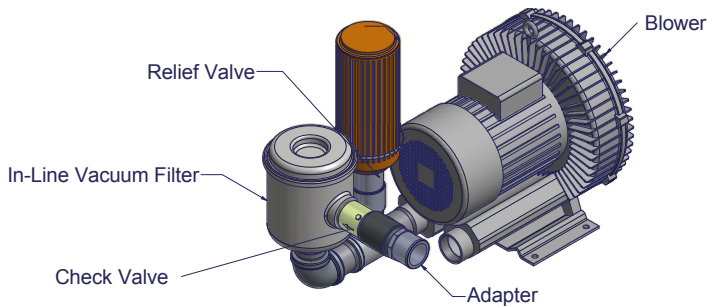


Model	Unit	A	B	C	D	E	F	H	J	K	M	N	O	ØP	ØR	S	Y*Z
HRB 750	in	17.77	18.15	5.98	14.02	15.51	18.75	15.38	9.45	6.69	7.62	5.19	2.56	2.50	0.59	0.24	M8
	mm	451	461	152	356	394	476	391	240	170	190	132	65			6	
HRB 800	in	17.77	18.15	5.98	14.02	15.51	19.63	16.06	9.45	6.69	7.62	5.19	2.56	2.50	0.59	0.24	M8
	mm	451	461	152	356	394	499	408	240	170	193	132	65			6	
HRB 900	in	17.77	18.15	5.98	14.02	15.51	19.63	16.06	9.45	6.69	7.62	5.19	2.56	2.50	0.59	0.24	M8
	mm	451	461	152	356	394	499	408	240	170	193	132	65			6	
HRB 1000	in	17.77	18.15	5.98	14.02	15.51	22.70	N/A	9.43	6.69	5.5	4.65	2.54	2.50	0.59	0.24	M8
	mm	451	461	152	356	394	577	N/A	240	170	140	118	65			6	

Available Options

All Republic Regenerative Blowers are available in pre-assembled kits for either pressure or vacuum applications. These kits include an inlet filter, gauge and relief valve, and are factory tested prior to shipment. Optional items for these kits include check valve, and tube adaptor; washdown motors, explosion proof motors, or other specialty motors; noise enclosures; and control panels such as VFD's, PLC's, or starter panels.

VACUUM KIT



PRESSURE KIT

