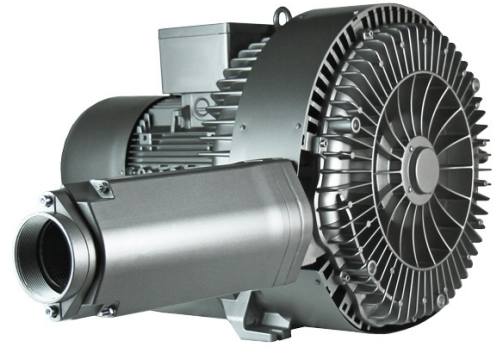
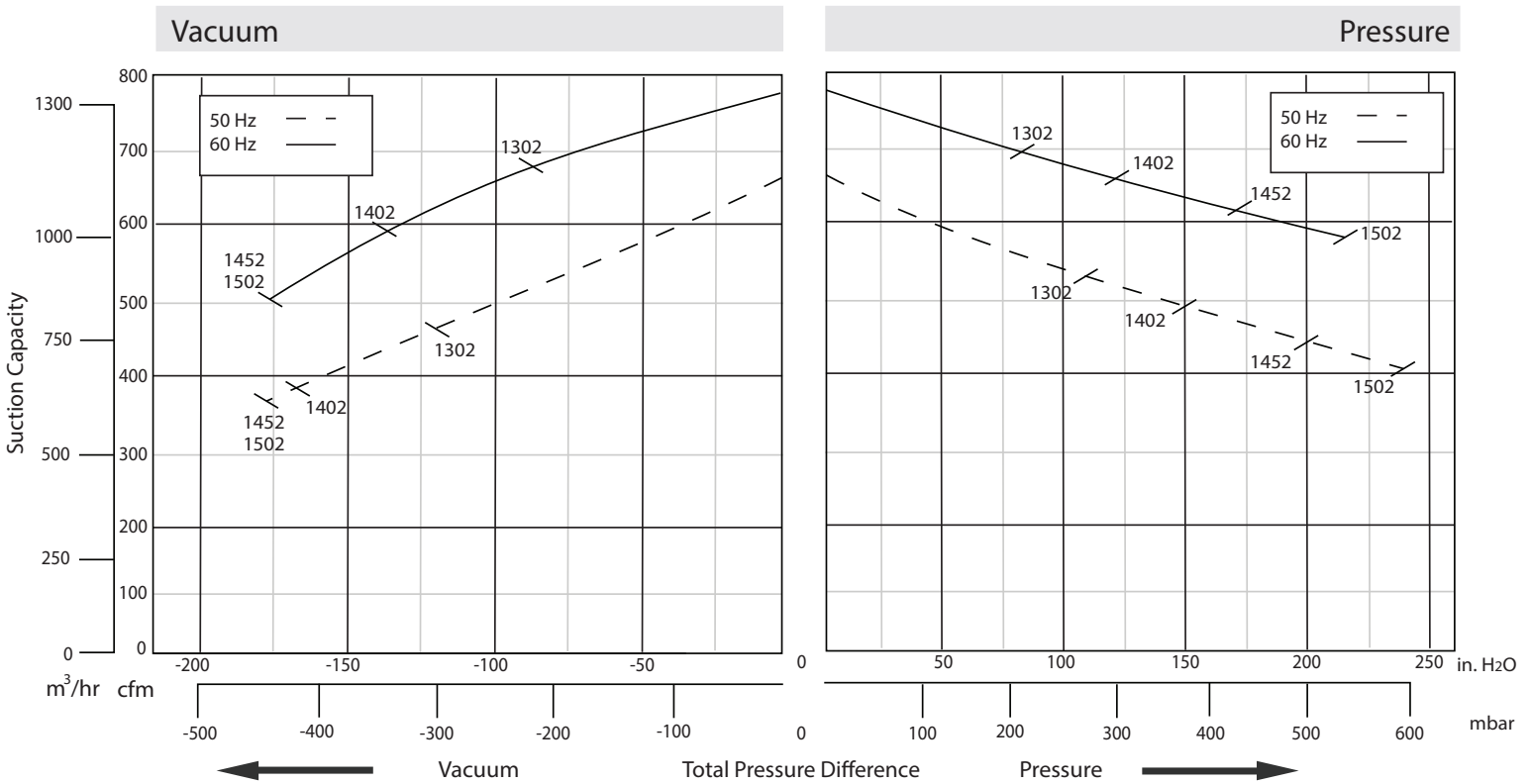


Republic offers a complete line of regenerative blowers for high vacuum or compressed air applications in both horizontal and vertical mounted positions. TEFC motors are rated for 50/60 Hz operation and are cUL, UL, and CE certified. The impeller is directly connected to the motor shaft, providing powerful air force without undue friction. The bearings are outside the compression chamber, ensuring maximum operational reliability under high differential pressure. Constructed in robust die-cast aluminum, this low-maintenance, oil-free design provides continuous, dependable service to our customers.



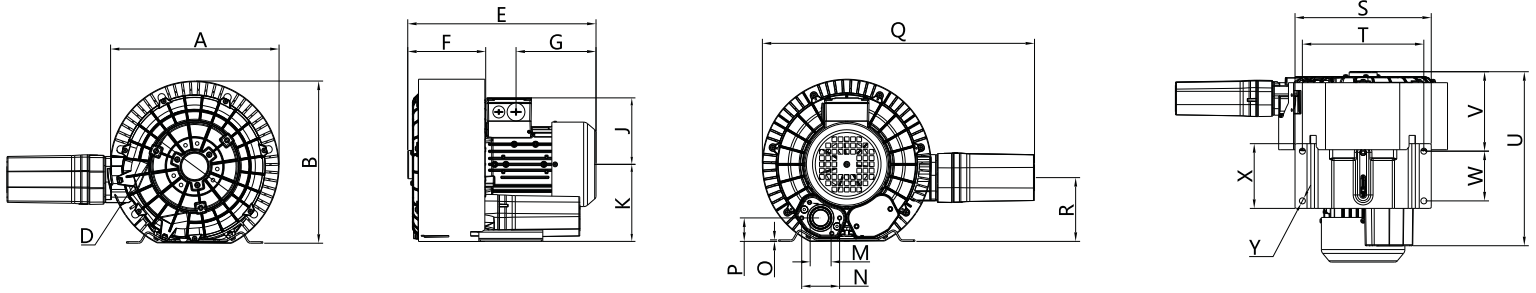
## PERFORMANCE



Model	Phase	Frequency (Hz)	Air flow (CFM/m³/hr)	Rated Vacuum (in. H <sub>2</sub> O/mbar)	Rated Pressure (in. H <sub>2</sub> O/mbar)	Motor (HP/kW)	Voltage (V)	Current (A)	Sound Level (dB)	Weight (lb/kg)
HRC 1302	3	50	653/1110	120/300	108/270	16.8/12.5	200-240 Δ/345-415 Y	48.5 Δ/28.0 Y	74	412/187
		60	771/1310	88/220	80/200	19.4/14.5	220-275 Δ/380-480 Y	50.1 Δ/29.0 Y	78	
HRC 1402	3	50	653/1110	165/410	149/370	22.1/16.5	200-240 Δ/345-415 Y	61.0 Δ/35.0 Y	74	434/197
		60	771/1310	137/340	120/300	25.5/19.0	220-275 Δ/380-480 Y	62.5 Δ/36.0 Y	78	
HRC 1452	3	50	653/1110	177/440	201/500	26.8/20.0	200-240 Δ/345-415 Y	80.0 Δ/40.0 Y	74	450/204
		60	771/1310	177/440	173/430	30.8/23.0	220-275 Δ/380-480 Y	84.0 Δ/42.0 Y	78	
HRC 1502	3	50	653/1110	177/440	237/590	33.5/25.0	200-240 Δ/345-415 Y	90.2 Δ/52.0 Y	74	465/211
		60	771/1310	177/440	217/540	38.9/29.0	220-275 Δ/380-480 Y	90.2 Δ/52.0 Y	78	

The performance curves are based on air at a temperature of 59 °F and an atmospheric pressure of 29.91 inch Hg with a tolerance of +/-10%. The total pressure differences are valid for inlet and ambient temperatures up to 77 °F. Suction capacity relates to inlet conditions. Pressure capacity relates to atmospheric conditions. For other conditions please contact Republic. Three phase motor tolerances are +/-10% for fixed voltage motors and +/-5% for voltage range motors. Single phase machines are designed with a +/-5% tolerance. The frequency tolerance is +/-2% maximum.

## APPROXIMATE DIMENSIONS

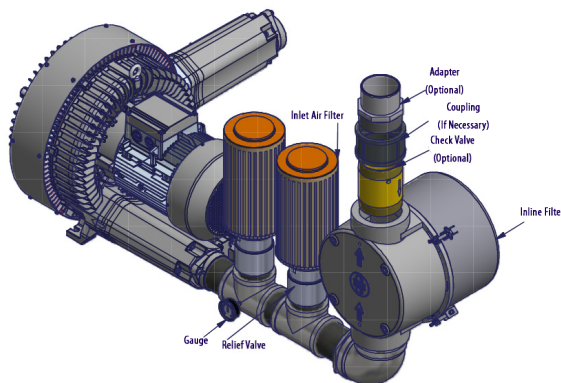


Model	Unit	A	B	D	E	F	G	J	K	M	N	O	P	Q	R	S	T	U	V	W	X	Y
HRC 1302	in	24.57	24.33	M12	29.61	13.23	11.46	7.76	11.77	4.00	5.91	0.98	3.62	42.87	9.29	8.15	16.30	14.17	9.02	21.06	0.59	30.98
	mm	624	618		752	336	291	197	299		150	25	92	1089	236	207	414	360	229	535	15	787
HRC 1402	in	24.57	24.33	M12	29.61	13.23	11.46	7.76	11.77	4.00	5.91	0.98	3.62	42.87	9.29	8.15	16.30	14.17	9.02	21.06	0.59	30.98
	mm	624	618		752	336	291	197	299		150	25	92	1089	236	207	414	360	229	535	15	787
HRC 1452	in	24.57	24.33	M12	29.61	13.23	11.46	7.76	11.77	4.00	5.91	0.98	3.62	42.87	9.29	8.15	16.30	14.17	9.02	21.06	0.59	30.98
	mm	624	618		752	336	291	197	299		150	25	92	1089	236	207	414	360	229	535	15	787
HRC 1502	in	24.57	24.33	M12	31.97	13.23	13.82	7.76	11.77	4.00	5.91	0.98	3.62	42.87	9.29	8.15	16.30	14.17	9.02	21.06	0.59	30.98
	mm	624	618		812	336	351	197	299		150	25	92	1089	236	207	414	360	229	535	15	787

## Available Options

All Republic Regenerative Blowers are available in pre-assembled kits for either pressure or vacuum applications. These kits include an inlet filter, gauge and relief valve, and are factory tested prior to shipment. Optional items for these kits include check valve, and tube adaptor; washdown motors, explosion proof motors, or other specialty motors; noise enclosures; and control panels such as VFD's, PLC's, or starter panels.

## VACUUM KIT



## PRESSURE KIT

