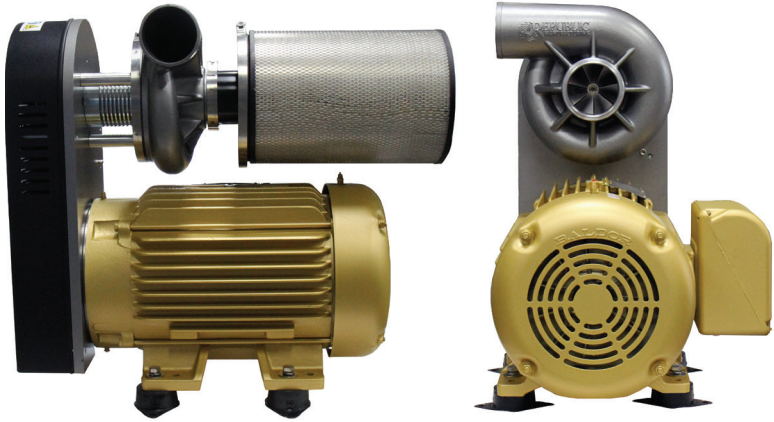


The Republic RBX Centrifugal Blower line is designed for efficiency, endurance, and optimal performance in high-demand applications such as aeration, drying and blow-off, vacuum hold-down, vapor transfer, and others.

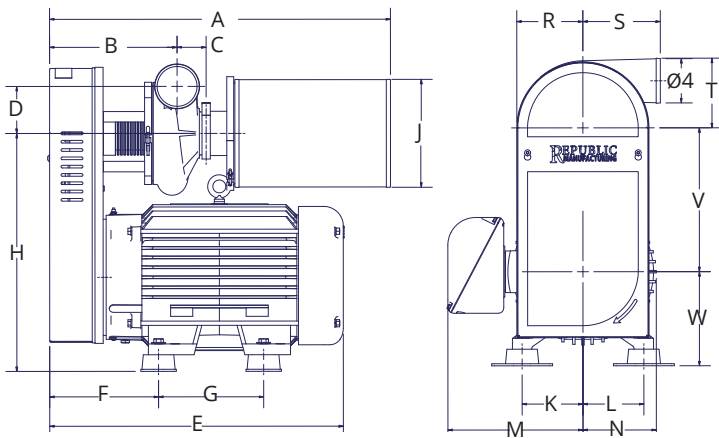
The RBX-150 can generate flow over 1800 cfm and pressure greater than 100 in.H<sub>2</sub>O, while attaining 80% peak efficiencies, requiring only 7.5-25 hp. The outlet can be rotated, the bearing housing is easy to remove, and the blower is poly-v belt driven.



### ADVANTAGES

- 80% peak efficiency allows for lower power consumption, smaller motors, and less cost
- Longevity - 7-8 times more bearing life
- Easy to replace bearing housing assembly
- Quick-release filter
- Rotatable blower discharge
- Precision balanced shaft/impeller assemblies
- Lower noise level
- Two year warranty
- Ceramic hybrid bearings
- Two-piece labyrinth seals designed and manufactured specifically for Republic RBX blowers
- Stainless steel blower pulley, zinc plated steel motor pulley, aluminum blower housing
- 16 Groove belt for long life
- Operational with all types of motors– washdown, explosion proof, and high efficiency

### APPROXIMATE DIMENSIONS



### Options

- Chemically resistant packages
- ANSI flanges on inlet/outlet (without filter)
- Tube adapter (without filter)
- Optional discharge flange
- Installed thermocouples to monitor bearing temperature

### Accessories

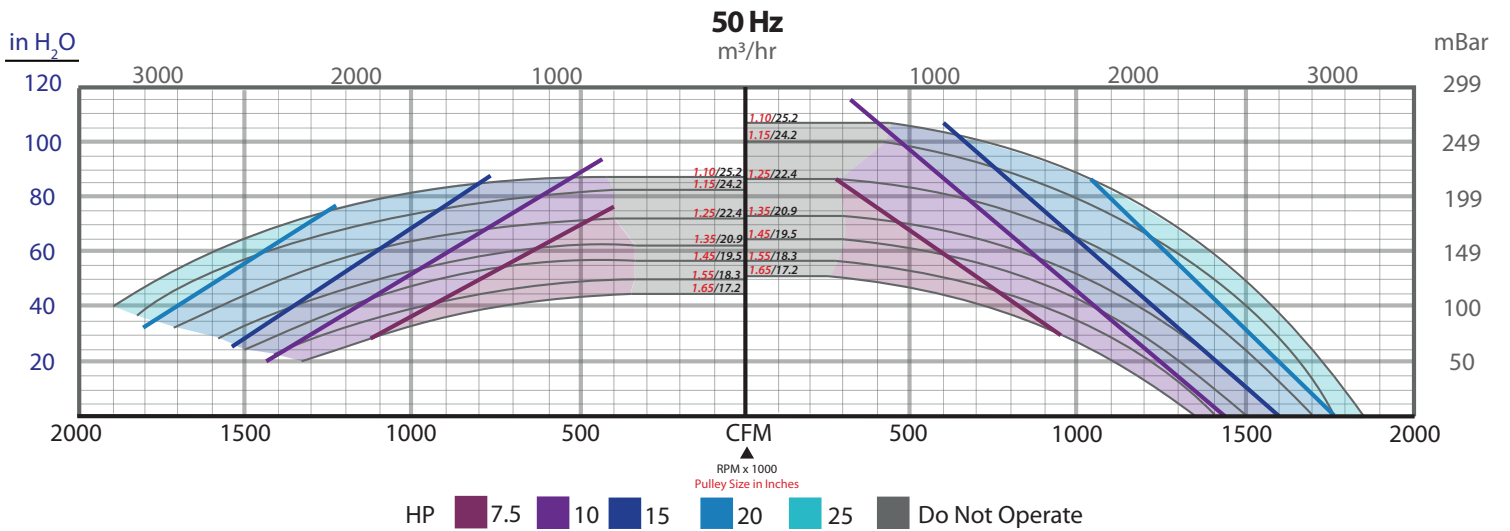
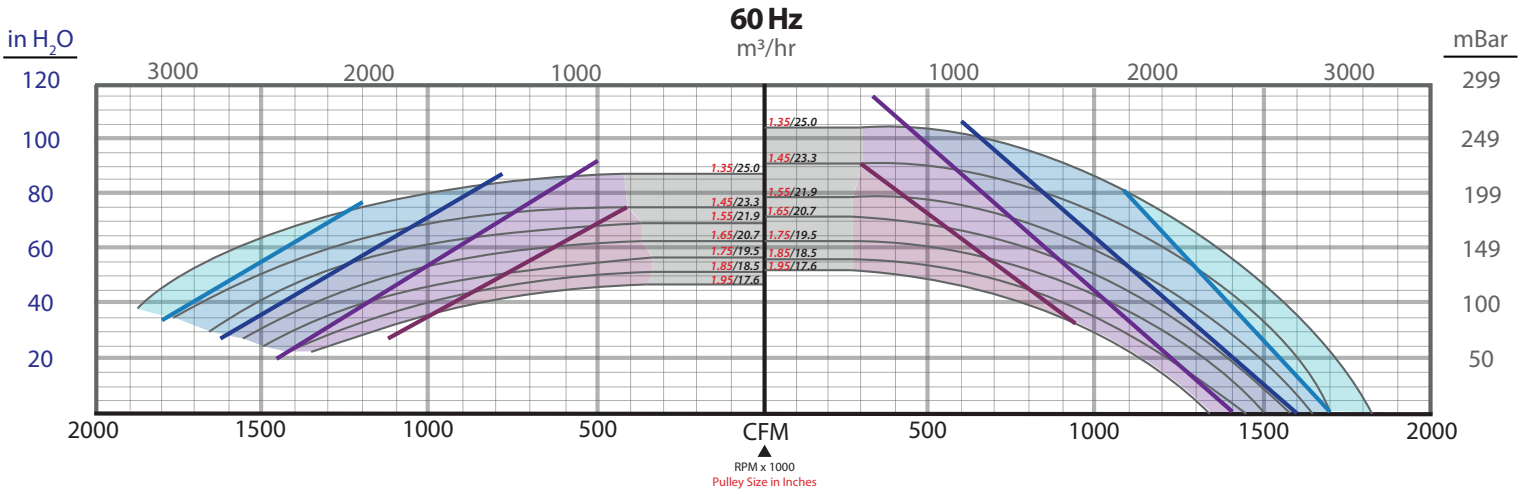
- Enclosures for noise control
- Exhaust silencer
- Starter panel/soft start
- Variable frequency drive
- Ball valves/butterfly valves
- Gauges

HP	Unit	A	B	C	D	E	F	G	H	ØJ	K	L	M	N	R	S	T	V	W
7.5 (213TC)	in	30.81	11.50	2.63	4.25	21.56	9.38	5.50	21.25	9.75	4.25	4.25	7.81	6.00	6.00	7.00	6.31	13.00	8.25
	mm	783	293	67	108	548	238	140	540	248	108	108	199	152	152	178	160	330	210
10 (215TC)	in	30.81	11.50	2.63	4.25	21.56	9.38	7.00	21.25	9.75	4.25	4.25	7.81	6.00	6.00	7.00	6.31	13.00	8.25
	mm	783	293	67	108	548	238	178	540	248	108	108	199	152	152	178	160	330	210
15 (254TC)	in	30.81	11.50	2.63	4.25	24.88	9.81	8.25	20.75	9.75	5.00	5.00	10.00	6.63	6.00	7.00	6.31	13.00	7.75
	mm	783	293	67	108	632	249	210	527	248	127	127	254	168	152	178	160	330	197
20 (256TC)	in	30.81	11.50	2.63	4.25	24.88	9.81	8.25	20.75	9.75	5.00	5.00	10.00	6.63	6.00	7.00	6.31	13.00	7.75
	mm	783	293	67	108	632	249	210	527	248	127	127	254	168	152	178	160	330	197
25 (284TC)	in	30.81	11.50	2.63	4.25	24.88	9.81	9.50	21.50	9.75	5.50	5.50	12.25	6.63	6.00	7.00	6.31	13.00	8.50
	mm	783	293	67	108	632	249	241	549	248	140	140	311	168	152	178	160	330	216

# PERFORMANCE

## Vacuum vs. CFM

## Pressure vs. CFM



HP 7.5 10 15 20 25 Do Not Operate

Model	Frequency (Hz)	HP	Max Flow (CFM/m <sup>3</sup> /hr)	Max Vacuum (in. H <sub>2</sub> O/mbar)	Max Pressure (in. H <sub>2</sub> O/mbar)	Sound Level (db) without Enclosure or Silencer	Weight (lb/kg)	Retro Kit Weight (lb/kg)
RBX-150	50	7.5 (213TC)	1080/1835	71/177	84/209	83	208/94	88/40
	60		960/1631	75/187	91/227			
	50	10 (215TC)	1415/2404	87/217	103/257	83	209/95	
	60		1410/2396	87/217	104/259			
	50	15 (254TC)	1600/2718	87/217	107/267	83	338/153	
	60		1600/2718	86/214	104/259			
	50	20 (256TC)	1765/2999	85/212	102/254	83	353/160	
	60		1770/3007	83/207	100/249			
50	25 (284TC)	1900/3228	74/184	85/212	83	391/177		
60		1875/3186	73/182	80/199				

The performance curves are based on air at a temperature of 59 °F and an atmospheric pressure of 29.91 inch Hg with a tolerance of +/-10%. The total pressure differences are valid for inlet and ambient temperatures up to 77 °F. Suction capacity relates to inlet conditions. Pressure capacity relates to atmospheric conditions. For other conditions please contact Republic. Three phase motor tolerances are +/-10% for fixed voltage motors and +/-5% for voltage range motors. The frequency tolerance is +/-2% maximum.



©Republic Manufacturing - Created 20200710

5131 Cash Road, Dallas, TX 75247, USA  
800.847.0380 • info@republic-mfg.com • republic-mfg.com