

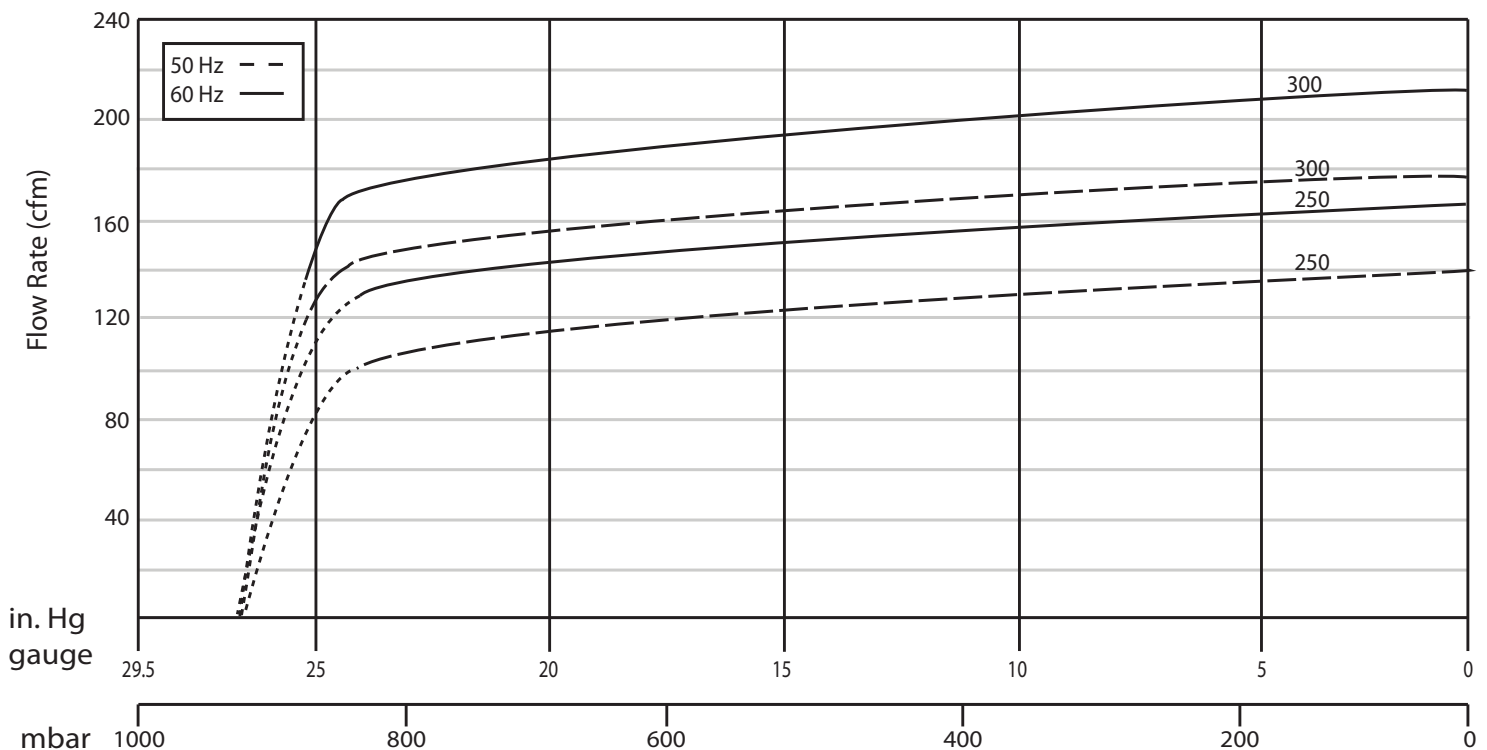
Republic offers the RCV dry-running positive displacement claw vacuum pumps which are ideally suited for oil-free applications. They are single stage, air-cooled, and direct driven for continuous operation. The design is one of the most reliable and efficient vacuum pumps available. The pumps utilize high-precision machined claws that rotate in synchronization without contact to generate vacuum without wear. These rugged pumps are simple to install and require minimal service and maintenance.



The RCV-250/300 are used in a variety of industries such as woodworking, environmental applications, packaging, conveying, medical applications, and printing.

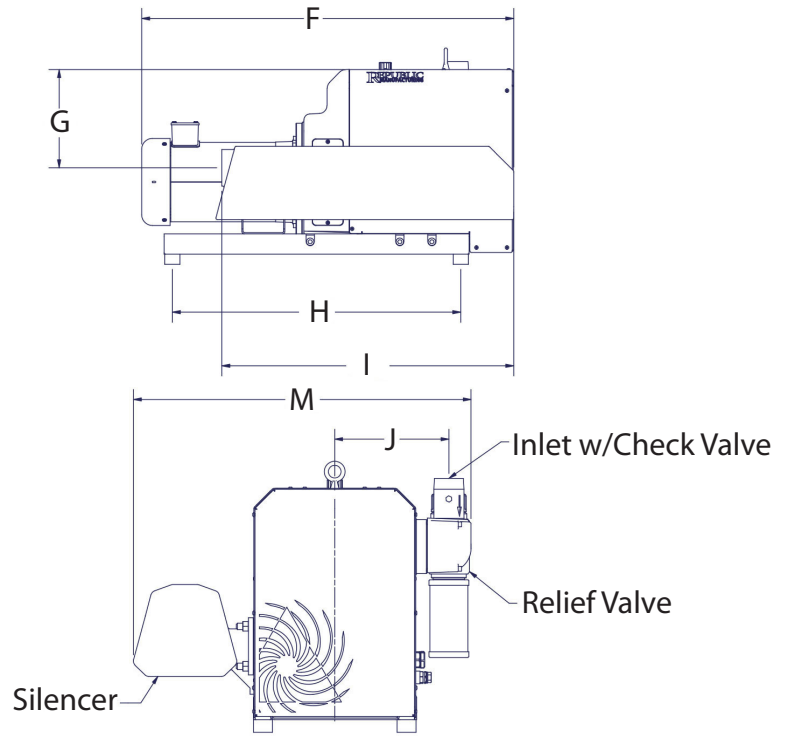
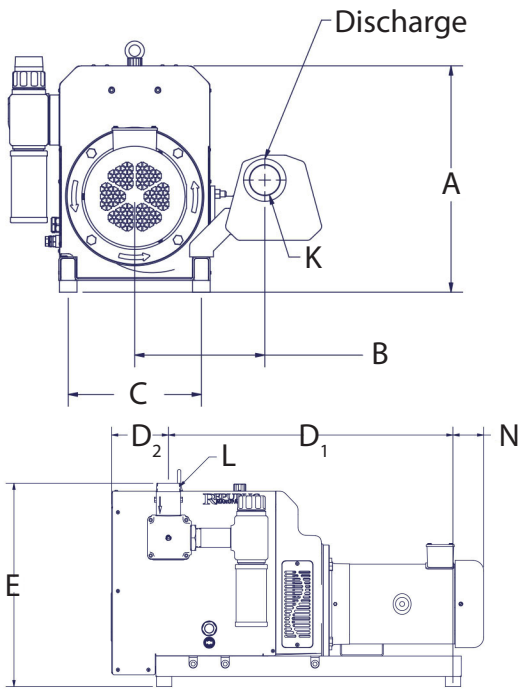
PERFORMANCE

Model	Hz	Displacement (CFM/m ³ /hr)	Ultimate Vacuum Max (In. Hg./Torr/mbar)	Continuous Vacuum Max (In. Hg./Torr/mbar)	Motor Output	Voltage 3 Phase (V)	Speed (rpm)	Noise Level (dB)	Weight (lb/kg)
250	50	138/235	28.44/38/963	24.0/150/813	4.0 kw	230/400	2850	78	430/195
	60	166/282			7.5 hp	208-230/460	3450	82	
300	50	171/290	28.44/38/963	24.0/150/813	5.5 kw	400/690	2850	78	618/280
	60	203/345			10 hp	208-230/460	3450	82	



All measurements are ±10%

APPROXIMATE DIMENSIONS



Model	Unit	A	B	C	D ₁	D ₂	E	F	G	H	I	J	ØK	ØL	M	N
250	in	19.25	11.06	11.31	27.94	5.56	20.00	36.31	9.69	28.38	28.69	9.00	2.50 NPT	2.00 NPT	26.63	3.06
	mm	489	281	287	710	141	508	922	246	721	729	229			676	78
300	in	19.25	11.06	11.31	28.50	5.56	20.00	38.63	9.69	28.38	28.69	9.00	2.50 NPT	2.00 NPT	26.63	4.50
	mm	489	281	287	724	141	508	981	246	721	729	229			676	114

Optional Accessories

- Inlet filter
- Vacuum gauge
- Motor starter
- Control panel
- PLC