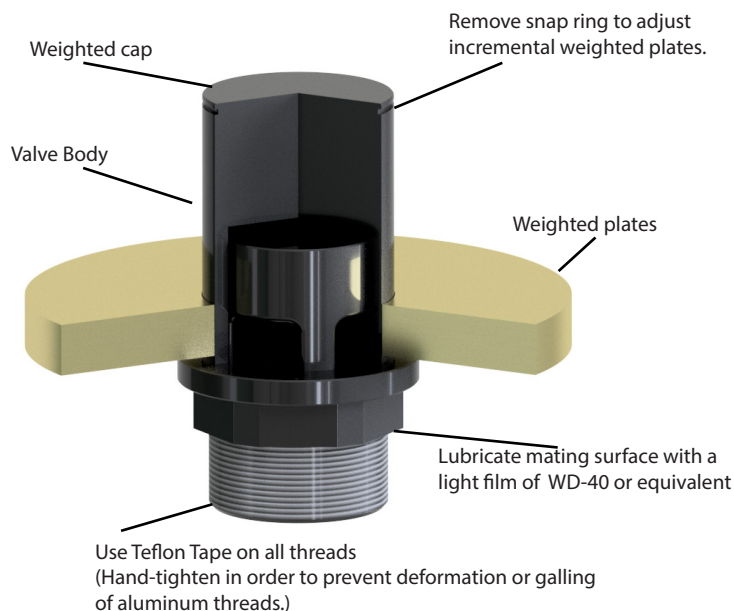


The Republic Weighted Relief Valve is constructed of hard anodized aluminum and is designed to protect blowers from overpressure in a blocked-off mode. Each valve has available 0.5 psi incremental weights or 1.0 psi increment weights. To adjust, remove snap ring, then add or remove weight plates.

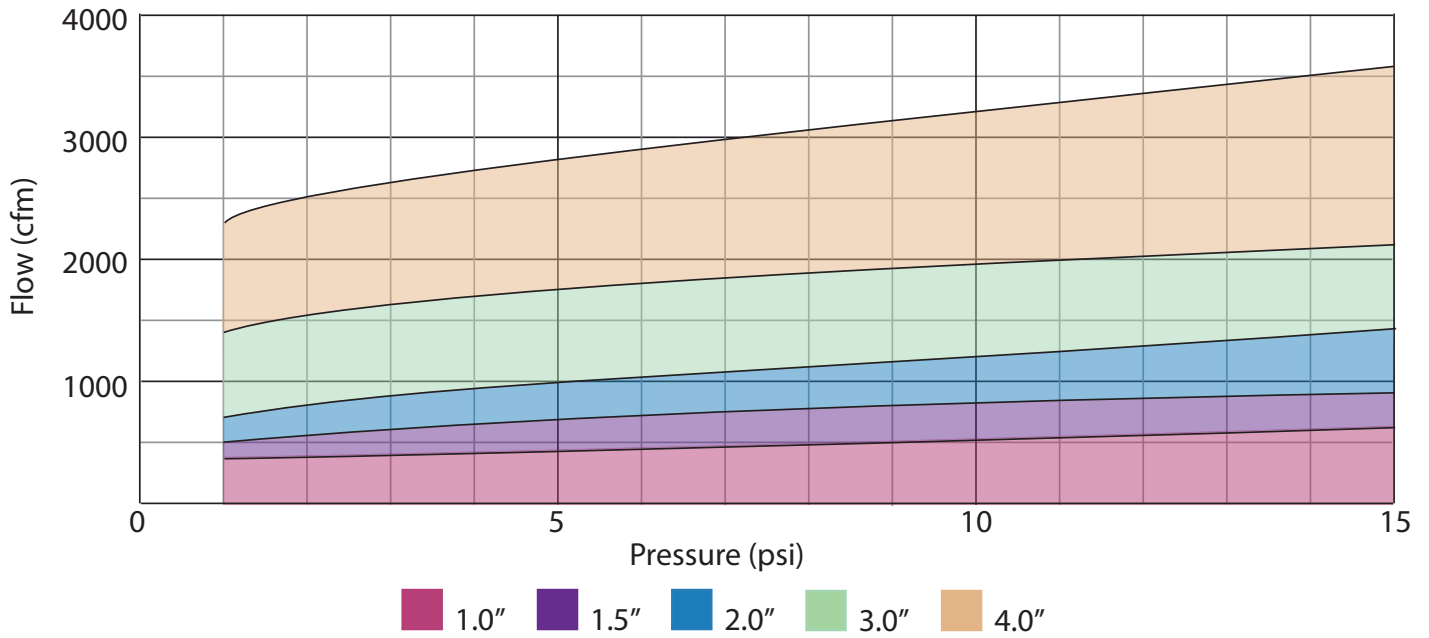
These valves are available in 1, 1.5, 2, 3, or 4 inch sizes and have standard NPT connections for carefree operation and minimal maintenance.

Features & Benefits

- Valve body constructed of hard anodized aluminum for durability;
- Plates constructed of yellow zinc plated mild steel for protection against corrosion;
- Available in 5 sizes: 1, 1.5, 2, 3, and 4 inch for a variety of pressure capacity;
- Valve body uses standard NPT sizes;
- Simple operation with minimal maintenance;
- Easy to install;
- High flow capacity - up to 3,600 cfm;
- Adjustable pressure capacity up to 15 psi;
- Weights available in 0.5 psi or 1.0 psi increments;
- Snap ring ensures valve pressure setting;
- In stock for immediate shipment.

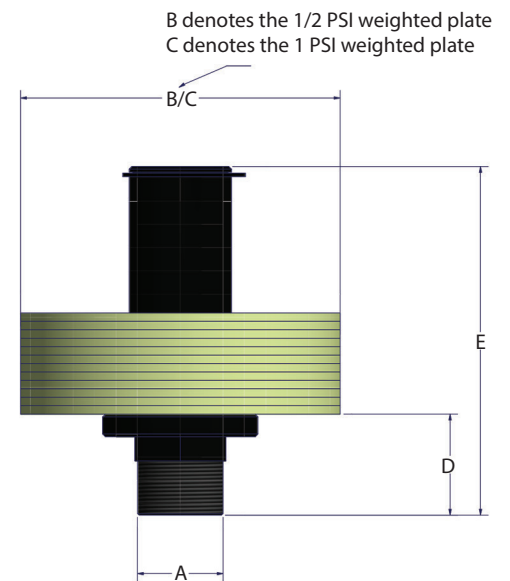


Performance



Dimensions

| Part Number | A (NPT) | B | C | D | E | F* |
|---|---------|-----------------------|------------------------|----------------------|-----------------------|------------------------|
| 210-3085 (body) 210-3085-03 (1/2 psi weight) | 1.0" | 6-3/4 in 171 mm | - | 2-1/4 in 57 mm | 7-3/4 in 197 mm | 8-27/50 in 217 mm |
| 210-3086 (body) 210-3086-03 (1/2 psi weight) | 1.5" | 7-1/10 in 180 mm | - | 2-1/4 in 57 mm | 7-3/4 in 197 mm | 8-27/50 in 217 mm |
| 210-3068 (body) 210-3068-03 (1/2 psi weight) 210-3068-05 (1 psi weight) | 2.0" | 6-3/4 in 171 mm | 9-13/100 in 232 mm | 2-31/100 in 59 mm | 7-81/100 in 198 mm | 8-61/100 in 219 mm |
| 210-3069 (body) 210-3069-03 (1/2 psi weight) 210-3069-05 (1 psi weight) | 3.0" | 10-13/25 in 267 mm | 14-9/25 in 365 mm | 4-22/25 in 124 mm | 8-7/10 in 221 mm | 9-83/100 in 250 mm |
| 210-3070 (body) 210-3070-03 (1/2 psi weight) 210-3070-05 (1 psi weight) | 4.0" | 13-13/25 in 343 mm | 18-47/100 in 469 mm | 3-17/50 in 85 mm | 9-83/100 250 mm | 10-47/100 in 266 mm |



*Dimensions not shown. Denotes the maximum height when valve is fully open.
Valve must be mounted in an upright and vertical position.