



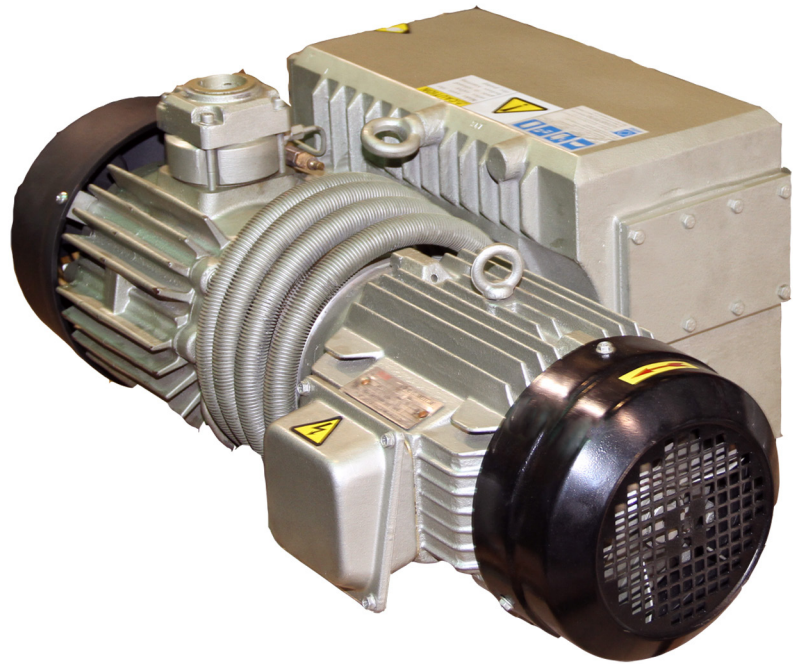
Republic Vacuum Pump RX-10

REPUBLIC
Vacuum Pumps®

Republic offers the RX-10 oil lubricated rotary vane vacuum pump. Single stage, air-cooled, and direct-driven, the design is one of the most reliable and simplest pumps available.

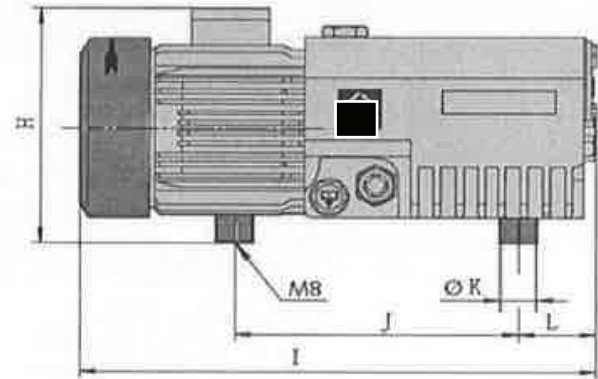
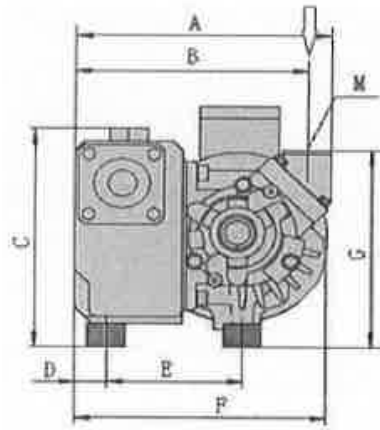
Advantages

- ▲ Continuous duty
- ▲ Simple maintenance
- ▲ Higher vacuum capabilities
- ▲ Easy to install
- ▲ Quiet operation



Product Options

- ▲ Air filter (recommended)
- ▲ Vacuum regulating valve
- ▲ Exhaust silencer
- ▲ Vacuum gauge



Model	Capacity Max cfm		Ultimate Vacuum Max. (in Hg)		Motor Output Full Load (HP)		Voltage 3Phase (V)		Noise Level (dB)		Weight (lb)
	50 Hz	60 Hz	50 Hz	60 Hz	50 Hz	60 Hz	50 Hz	60 Hz	50 Hz	60 Hz	
RX-10	5.9	7.1	29.92	29.92	.37	.495	220/380	220/480	61	61	37

	A	B	C	D	E	F	G	H	I	J	K	L	M
Inches	9.13	8.38	7.67	1.02	5.11	8.85	7.00	7.87	18.30	8.26	1.18	4.60	3/4 NPT



Republic Vacuum Pump RX-10

REPUBLIC
Vacuum Pumps®

RX-10 Vacuum Curves

