

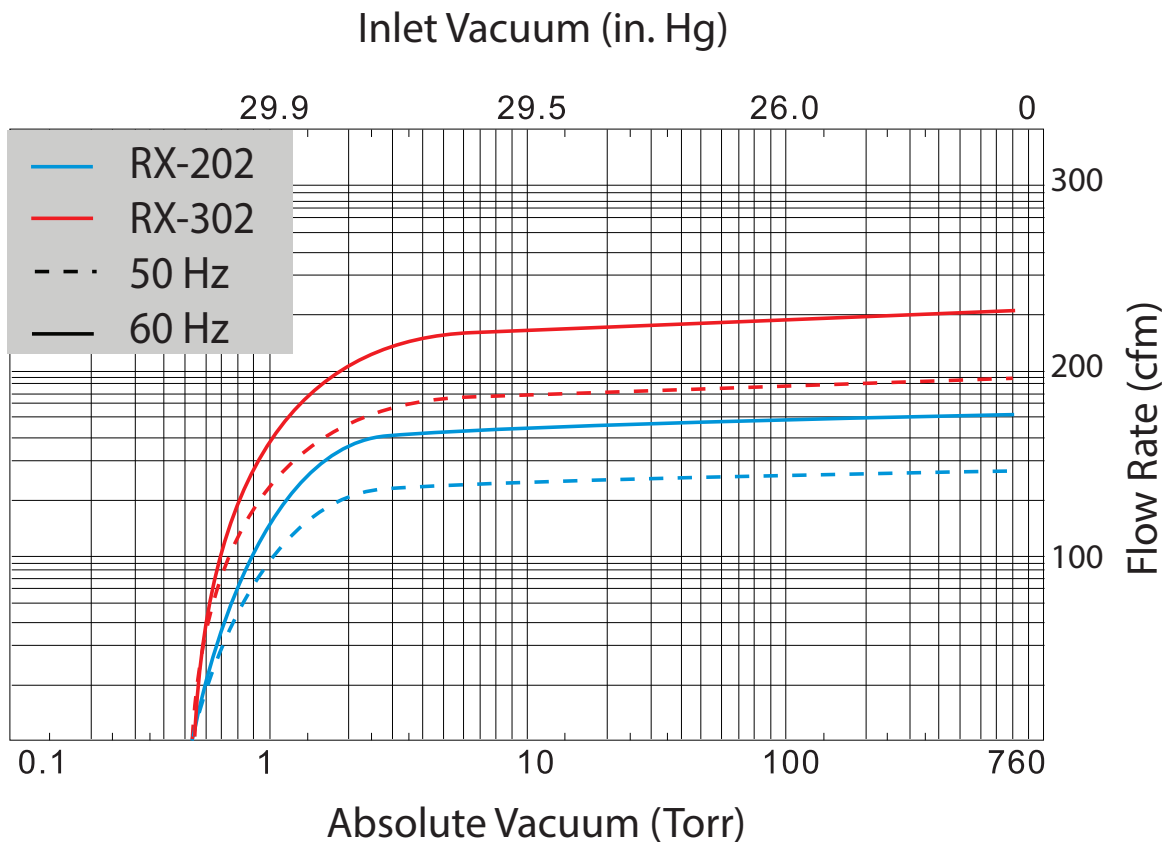
Republic offers the RX series of oil lubricated rotary vane vacuum pumps. They are single stage, air-cooled, and direct driven for continuous operation. The design is one of the most reliable and simplest vacuum pumps available. These rugged pumps are simple to install and easy to service and maintain. They are available with or without motor to meet your application needs. These vacuum pumps have a displacement range from 6 to 490 CFM (10 to 833 m³/hr) and maximum vacuum of 0.5 torr.



The RX series is used in a variety of industries such as meat packaging, food processing, thermoforming, composites, medical, laboratory, vacuum cooling, robotics, degassing, and autoclaves.

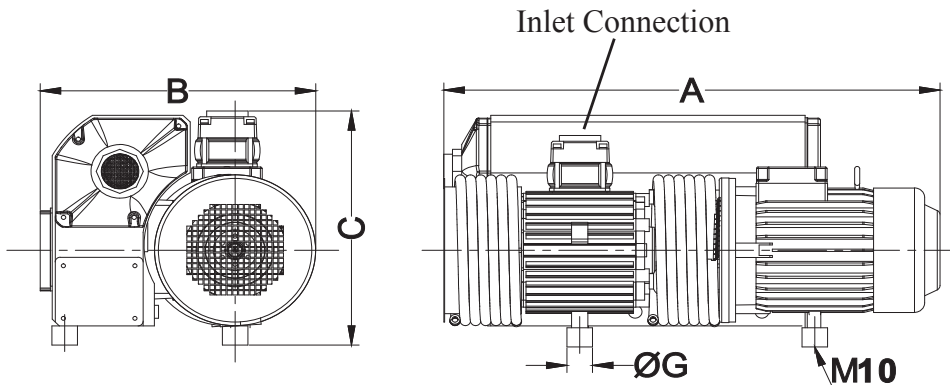
PERFORMANCE SPECIFICATIONS

Model	Displacement (CFM/m ³ /hr)		Ultimate Vacuum Max (In. Hg./Torr/mbar)	Motor Output		Voltage 3 Phase (V)		Speed (rpm)		Noise Level (dB)		Weight (lb/kg)
	50 Hz	60 Hz	50/60 Hz	50 Hz	60 Hz	50 Hz	60 Hz	50 Hz	60 Hz	50 Hz	60 Hz	
202	118/200	142/240	29.9/0.5/0.67	5.5 kw	10.0 hp	220/380	240-460	1440	1728	74	77	300/136
302	177/300	212/360	29.9/0.5/0.67	7.5 kw	15.0 hp	190-254 330-440	190-288 330-500	1440- 1470	1690- 1728	76	79	391/177



APPROXIMATE DIMENSIONS

Model	Unit	A	B	C	D	E	F	ØG	I	J	K	Fill Oil	Inlet Port
202	in	34.6	19.5	16.3	15.6	12.1	8.9	2.0	11.0	15.2	1.6	5.5 QT	2" NPT
	mm	880	495	414	396.5	306.5	227	50	277.5	385	39.5	5 L	
302	in	37.9	22.2	16.5	18.1	13.2	9.4	2.0	13.0	15.3	1.6	7.5 QT	2" NPT
	mm	962	563	420	460.5	335	238	50	331	388	39.5	7 L	



OPTIONAL ACCESSORIES

- Inlet filter
- Filter pressure gauge
- Oil level switch
- Inlet check valve
- Vacuum gauge
- Motor starter
- Control panel
- PLC

