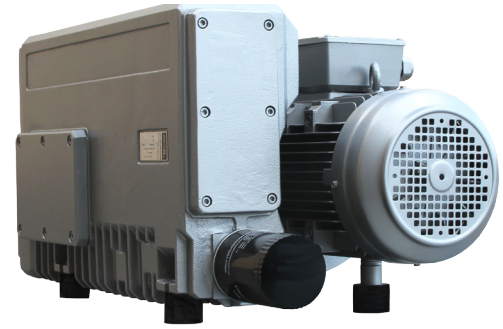


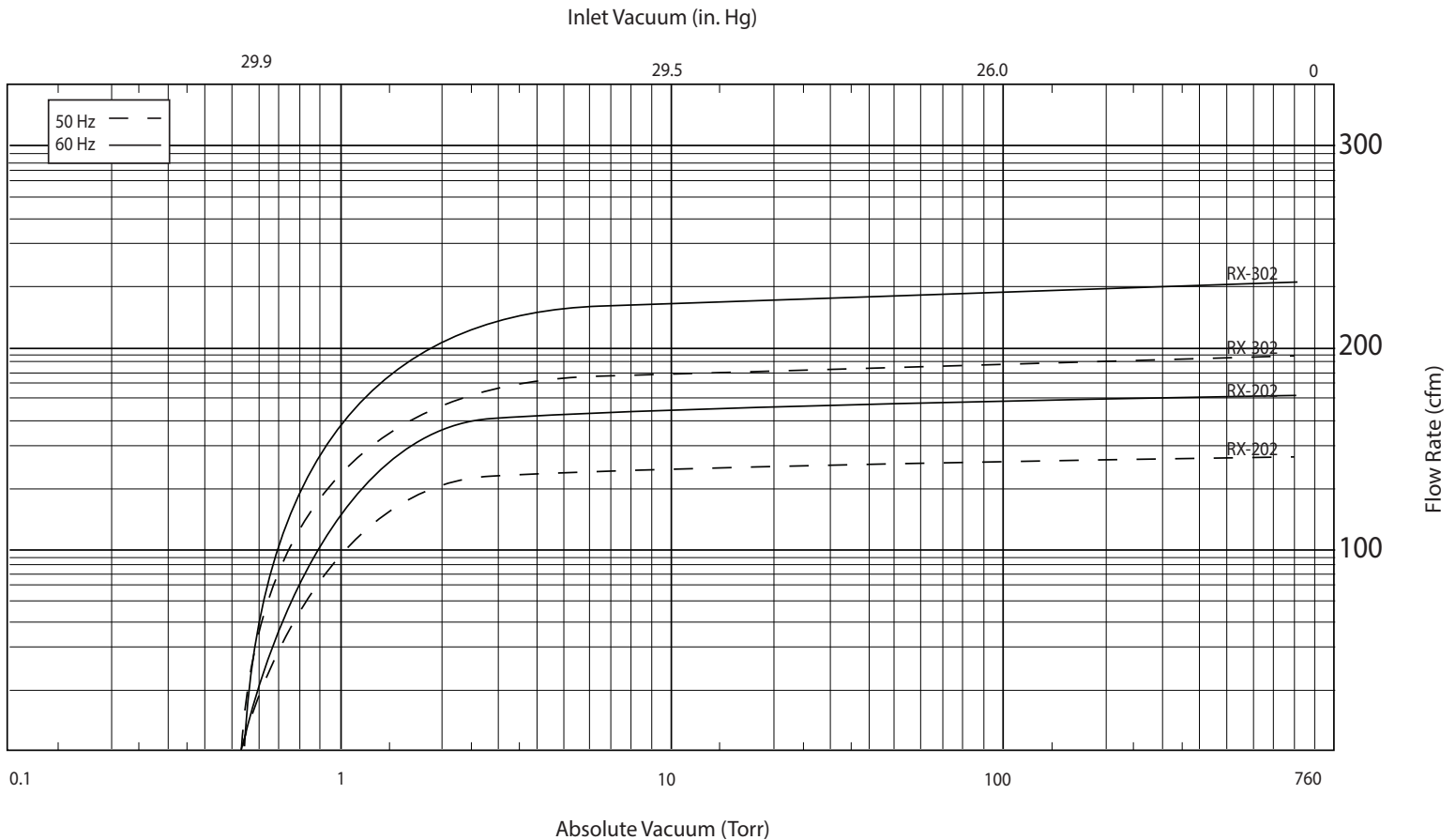
Republic offers the RX series of oil lubricated rotary vane vacuum pumps. They are single stage, air-cooled, and direct driven for continuous operation. The design is one of the most reliable and simplest vacuum pumps available. These rugged pumps are simple to install and easy to service and maintain. They are available with or without motor to meet your application needs. These vacuum pumps have a displacement range from 6 to 490 CFM (10 to 833 m<sup>3</sup>/hr) and maximum vacuum of 0.5 torr.



The RX series is used in a variety of industries such as meat packaging, food processing, thermoforming, composites, medical, laboratory, vacuum cooling, robotics, degassing, and autoclaves.

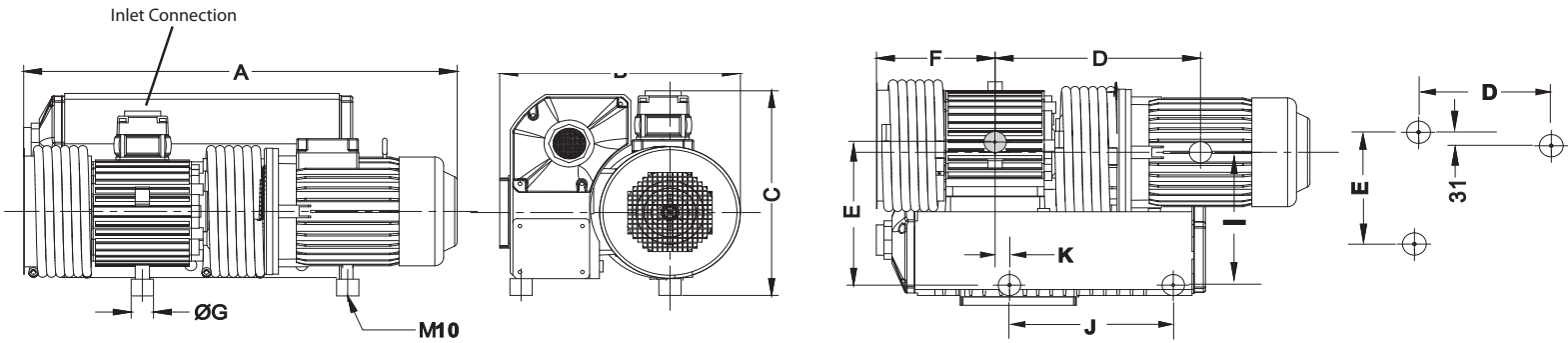
## PERFORMANCE

Model	Displacement (CFM/m <sup>3</sup> /hr)		Ultimate Vacuum Max (In. Hg./Torr/mbar)	Noise Level (dB)		Weight (lb/kg)	Motor Output		Voltage 3 Phase (V)		Speed (rpm)	
	50 Hz	60 Hz		50 Hz	60 Hz		50 Hz	60 Hz	50 Hz	60 Hz	50 Hz	60 Hz
202	118/200	142/240	29.9/0.5/0.67	74	77	300/136	5.5 kw	7.5 hp	220/380	230/460	1500	1800
302	177/300	212/360	29.9/0.5/0.67	76	79	391/177	7.5 kw	12.0 hp	220/380	230/460	1500	1800



All measurements are ±10%

## APPROXIMATE DIMENSIONS



Model	Unit	a	b	c	d	e	f	Øg	i	j	k	Fill Oil	Inlet Port
202	in	34.6	19.5	16.3	15.6	12.1	8.9	2.0	11.0	15.2	1.6	5.5 QT	2" NPT
	mm	880	49.5	414	396.5	306.5	227	50	277.5	385	39.5	5 L	
302	in	37.9	22.2	16.5	18.1	13.2	9.4	2.0	13.0	15.3	1.6	7.5 QT	2" NPT
	mm	962	563	420	460.5	335	238	50	331	388	39.5	7 L	

### Optional Accessories

- Inlet filter
- Inlet check valve
- Vacuum gauge
- Motor starter
- Control panel
- PLC