

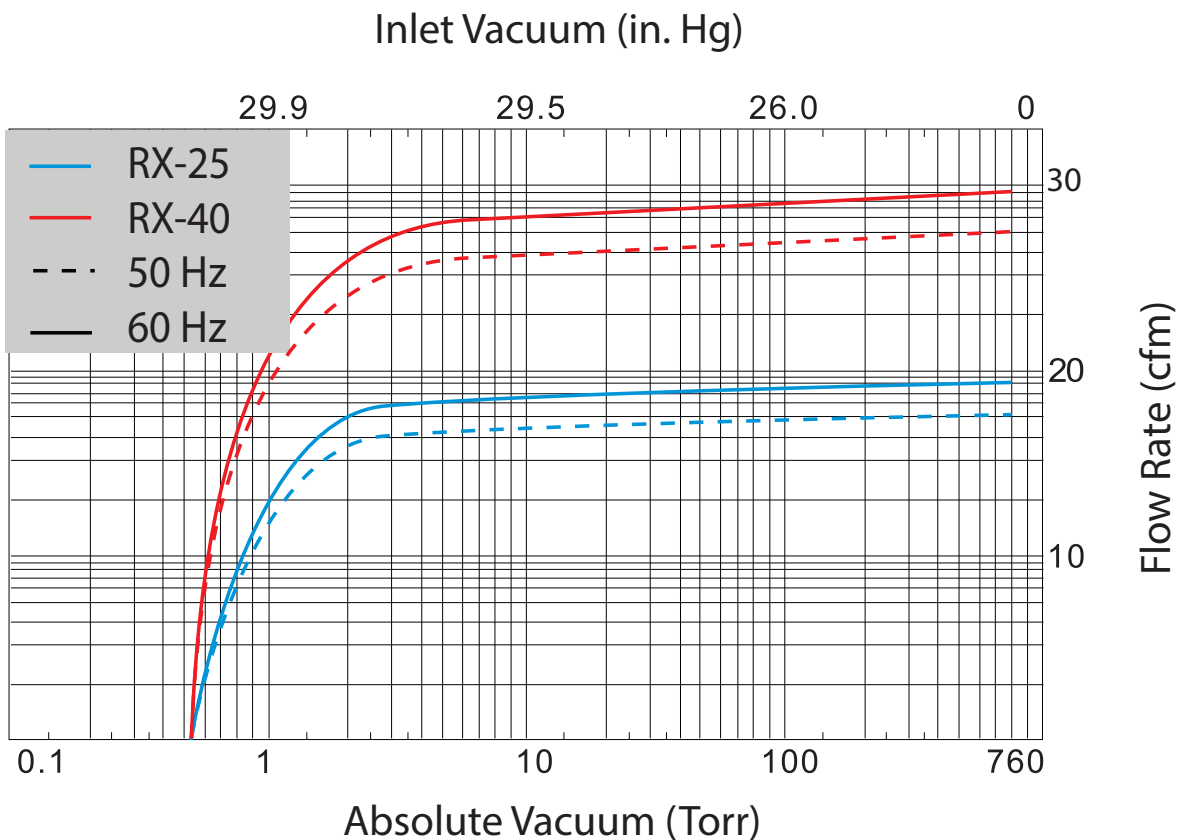
Republic offers the RX series of oil lubricated rotary vane vacuum pumps. They are single stage, air-cooled, and direct driven for continuous operation. The design is one of the most reliable and simplest vacuum pumps available. These rugged pumps are simple to install and easy to service and maintain. They are available with or without motor to meet your application needs. These vacuum pumps have a displacement range from 6 to 490 CFM (10 to 833 m³/hr) and maximum vacuum of 0.5 torr.



The RX series is used in a variety of industries such as meat packaging, food processing, thermoforming, composites, medical, laboratory, vacuum cooling, robotics, degassing, and autoclaves.

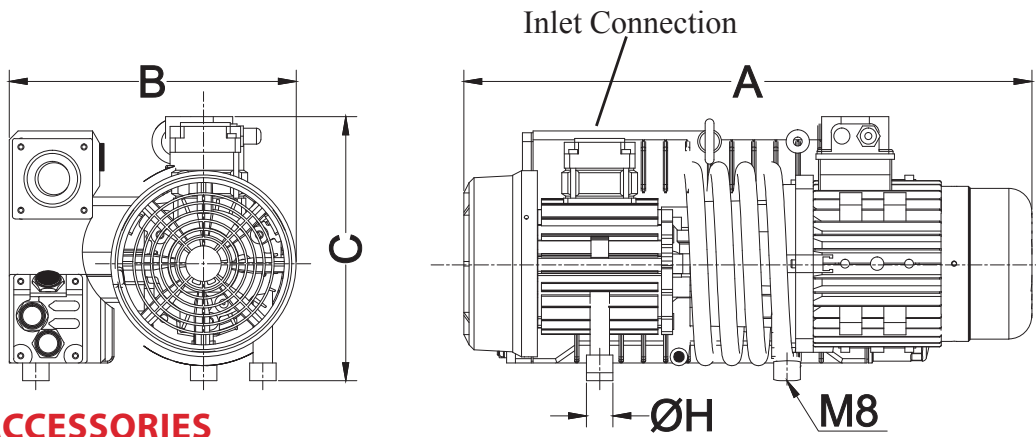
PERFORMANCE SPECIFICATIONS

Model	Displacement (CFM/m ³ /hr)		Ultimate Vacuum Max (In. Hg./Torr/mbar)	Motor Output		Voltage 3 Phase (V)		Speed (rpm)		Noise Level (dB)		Weight (lb/kg)
	50 Hz	60 Hz	50/60 Hz	50 Hz	60 Hz	50 Hz	60 Hz	50 Hz	60 Hz	50 Hz	60 Hz	
25	15/25	18/30	29.9/0.5/0.67	0.9 kw	1.5 hp	220/380	230/460	1400	1680	67	70	80/36
40	24/40	29/48	29.9/0.5/0.67	1.5 kw	2.0 hp	220/380	230/460	1425	1710	67	70	102/46



APPROXIMATE DIMENSIONS

Model	Unit	A	B	C	D	E	F	G	ØH	Fill Oil	Inlet Port
25	in	23.2	11.1	10.4	7.5	9.1	7.3	5.2	1.2	1 QT	1/2" NPT
	mm	590	282	263	190	230	185	132	30	1 L	
40	in	25.5	12.1	10.6	8.3	9.1	7.5	6.3	1.2	2 QT	1-1/4" NPT
	mm	648	308	269	211.5	230	190.5	161	30	2 L	



OPTIONAL ACCESSORIES

- Inlet filter
- Filter pressure gauge
- Oil level switch
- Inlet check valve
- Vacuum gauge
- Motor starter
- Control panel
- PLC

