

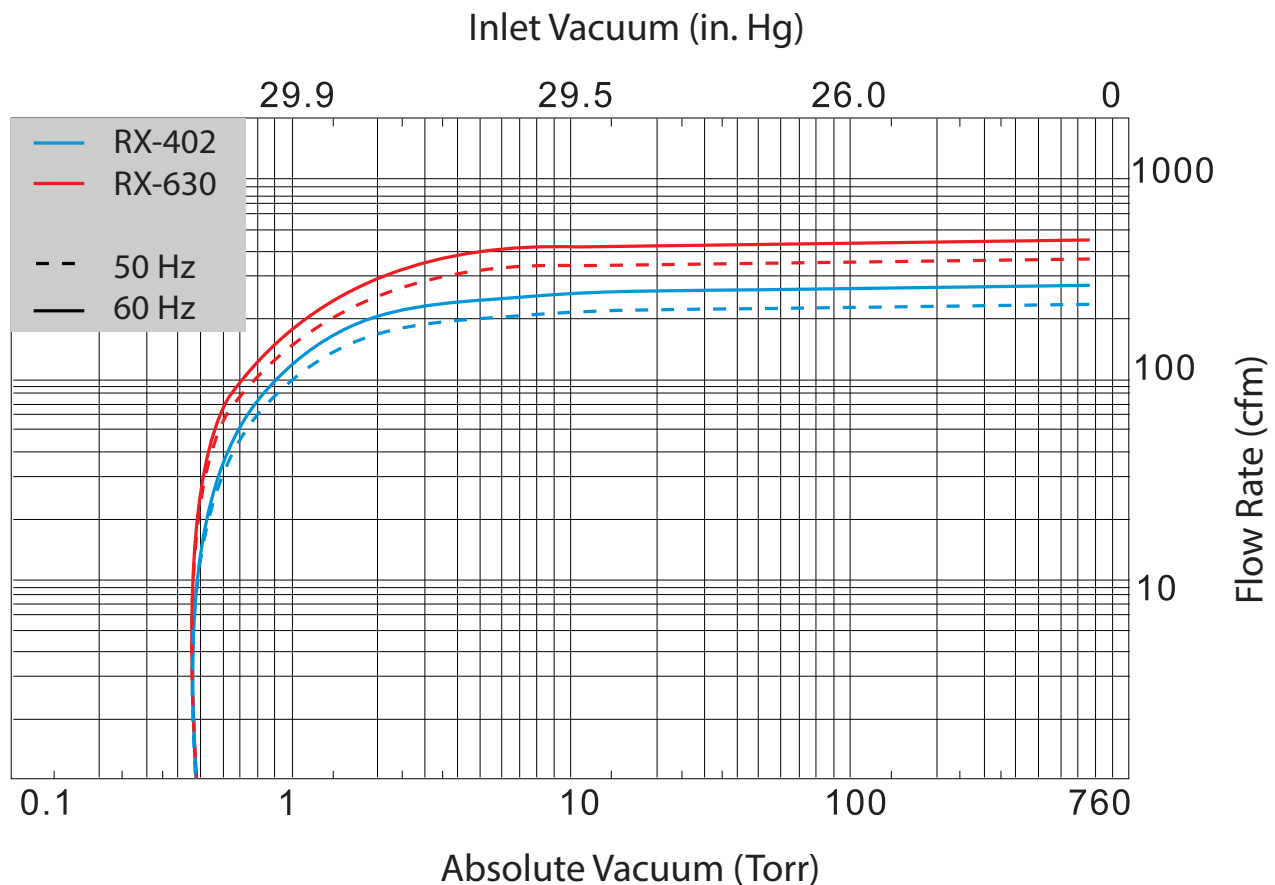
Republic offers the RX series of oil lubricated rotary vane vacuum pumps. They are single stage, air-cooled, and direct driven for continuous operation. The design is one of the most reliable and simplest vacuum pumps available. These rugged pumps are simple to install and easy to service and maintain. They are available with or without motor to meet your application needs. These vacuum pumps have a displacement range from 6 to 490 CFM (10 to 833 m³/hr) and maximum vacuum of 0.5 torr.



The RX series is used in a variety of industries such as meat packaging, food processing, thermoforming, composites, medical, laboratory, vacuum cooling, robotics, degassing, and autoclaves.

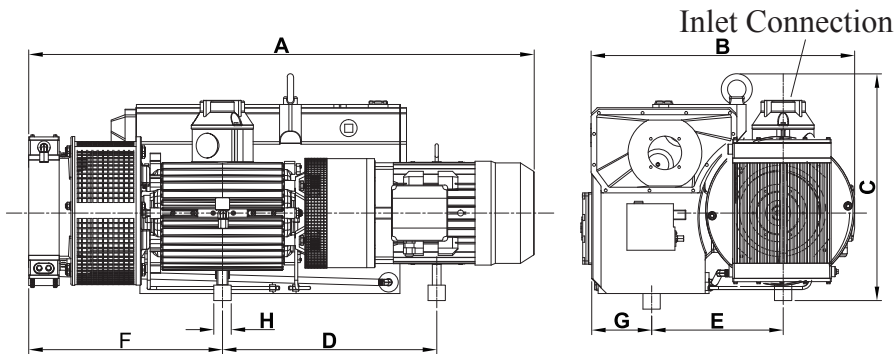
PERFORMANCE SPECIFICATIONS

Model	Displacement (CFM/m ³ /hr)		Ultimate Vacuum Max (In. Hg./Torr/mbar)	Motor Output (HP/kW)		Voltage 3 Phase (V)		Speed (rpm)		Noise Level (dB)		Weight (lb/kg)
	50 Hz	60 Hz	50/60 Hz	50 Hz	60 Hz	50 Hz	60 Hz	50 Hz	60 Hz	50 Hz	60 Hz	
402	236/400	283/480	29.9/0.5/0.67	11.0 kw	20.0 hp	220/380	230/460	960	1160	83	86	959/435
630	371/630	445/756	29.9/0.5/0.67	15.0 kw	25.0 hp	220/380	230/460	960	1160	85	88	1213/550



APPROXIMATE DIMENSIONS

Model	Unit	A	B	C	D	E	F	G	H	Fill Oil	Inlet Port
402	in	51.4	33.9	26.4	23.7	18.1	21.9	7.0	3.0	15 QT	3" NPT
	mm	1306	861	671	602.5	460	557.5	178	76	14 L	
630	in	68.4	33.9	28.9	26.4	18.1	24.6	7.0	3.0	17 QT	3" NPT
	mm	1737	861	735	670	460	625	178	76	16 L	


OPTIONAL ACCESSORIES

- Inlet filter
- Filter pressure gauge
- Oil level switch
- Inlet check valve
- Vacuum gauge
- Motor starter
- Control panel
- PLC

