

Republic Positive Displacement Blower Packages are ideal for pressure and vacuum applications.

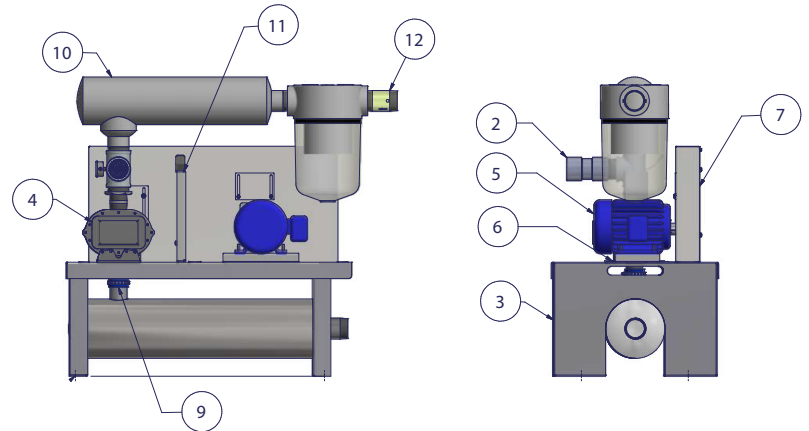
The packages include:

- Howden Roots Positive Displacement Blower
- Silencer stand and belt guard
- Motor with drive assembly
- Relief valve
- Check valve
- Inlet filter
- Gauge
- Inlet silencer (optional)



Vacuum Package

Parts List	
Item	Description - Vacuum Package
1	Filter (not shown)
2	Relief valve
3	PD Stand with pre-drilled holes and discharge silencer
4	Positive displacement blower
5	Motor
6	Adjustable motor base
7	Belt guard
8	Gauge (not shown)
9	Flexible blower connection
10	Inlet silencer (optional)
11	Inlet silencer support (optional)
12	Check valve



Pressure Package

Parts List	
Item	Description - Pressure Package
1	Filter
2	PD Stand with pre-drilled holes and discharge silencer
3	Positive displacement blower
4	Motor
5	Adjustable motor base
6	Belt guard
7	Relief valve
8	Check valve
9	Gauge
10	Flexible blower connection
11	Silencer (optional)
12	Inlet silencer support (optional)

