

## PD BLOWER PACKAGES

### FOR VACUUM HOLD DOWN APPLICATIONS



Republic Positive Displacement (PD) Blower Packages utilize Howden Roots Rotary Positive Displacement Blowers. These packages are for continuous duty with maximum reliability. Each package is configured based on application requirements, ensuring optimal performance at the most efficient horsepower operation. Package capabilities range over 4,800 CFM with a maximum vacuum of 16" HgV.

Built to last, Republic PD Packages are the market leading positive displacement solution for CNC routing and vacuum hold down. Enclosures with sound isolating foam and inlet silencers are available to decrease dB levels.

### COMPONENTS

- Howden Roots Positive Displacement Blower
- Table-top stand and belt guard
- Enclosure with acoustical foam (*optional*)
- Two removable doors (*optional*)
- 220V 1ph cooling fans (*optional*)
- Motor with drive assembly
- Spring-loaded or weighted relief valve
- Check valve
- Inlet filter
- Filter differential gauge (*optional*)
- Temperature gauge (*optional*)
- Pressure gauge
- Discharge silencer
- Inlet silencer (*optional*)

### ADVANTAGES

- Heavy duty cast iron construction for decades of operation
- Low maintenance—no wearing parts
- High cfm per hp versus conventional pumps
- Non-contacting rotors
- Oil lubricated bearings
- Coatings available for corrosive applications

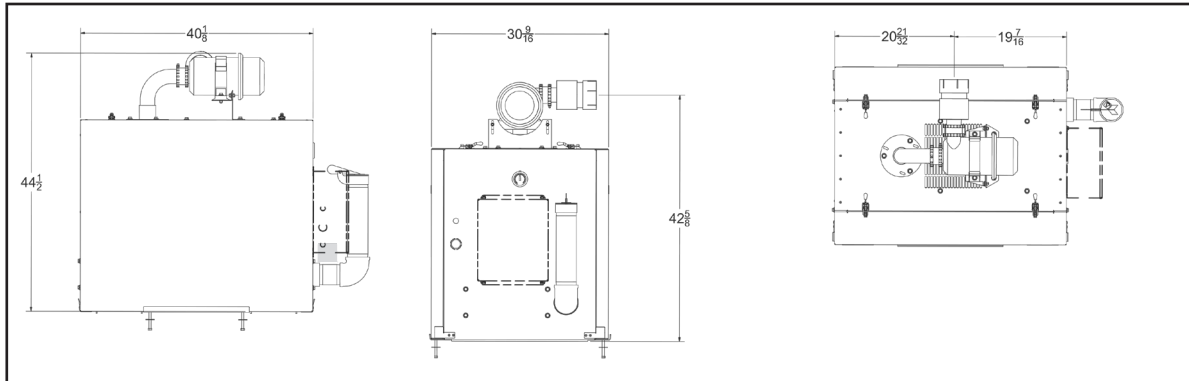




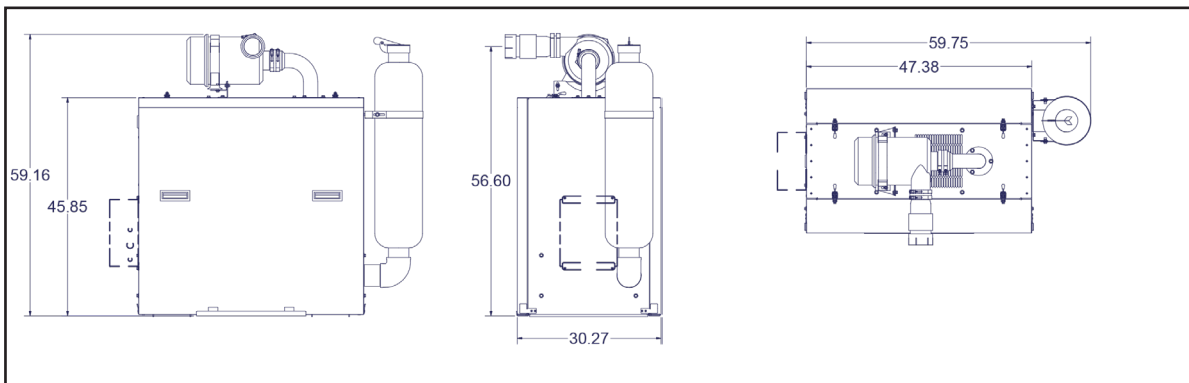
# PD BLOWER PACKAGES

FOR VACUUM HOLD DOWN APPLICATIONS

**Howden Roots 36 URAI with 10 HP motor and Enclosure**



**Howden Roots 47 URAI with 20 HP motor and Enclosure**



**Howden Roots 59 URAI with 30 HP motor and Enclosure**

