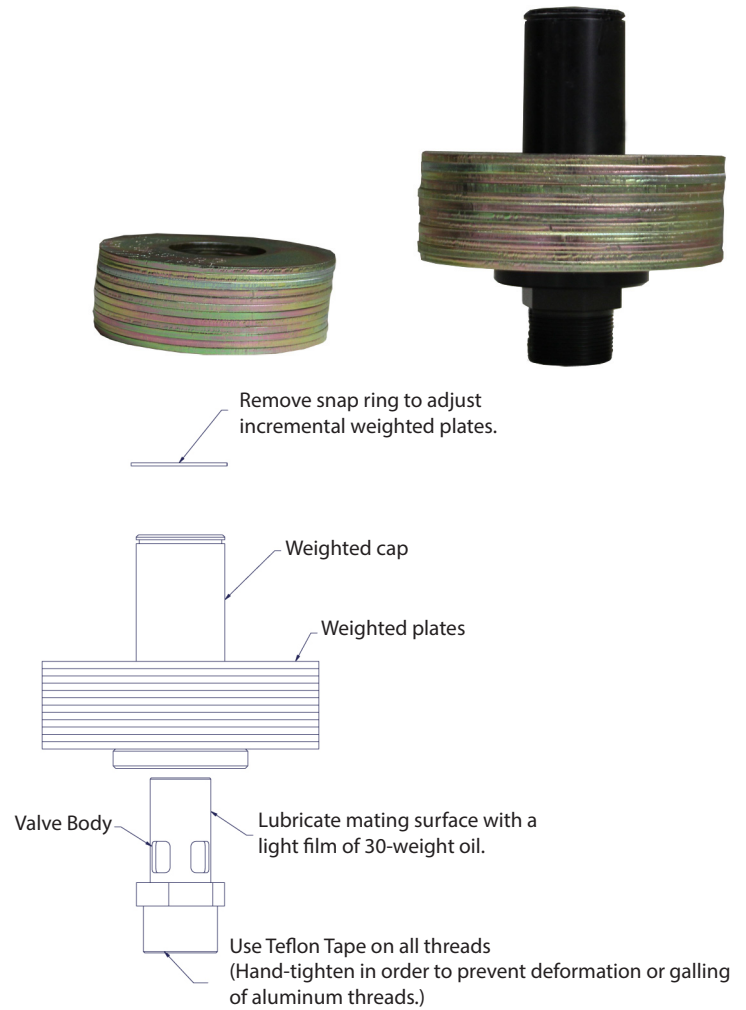
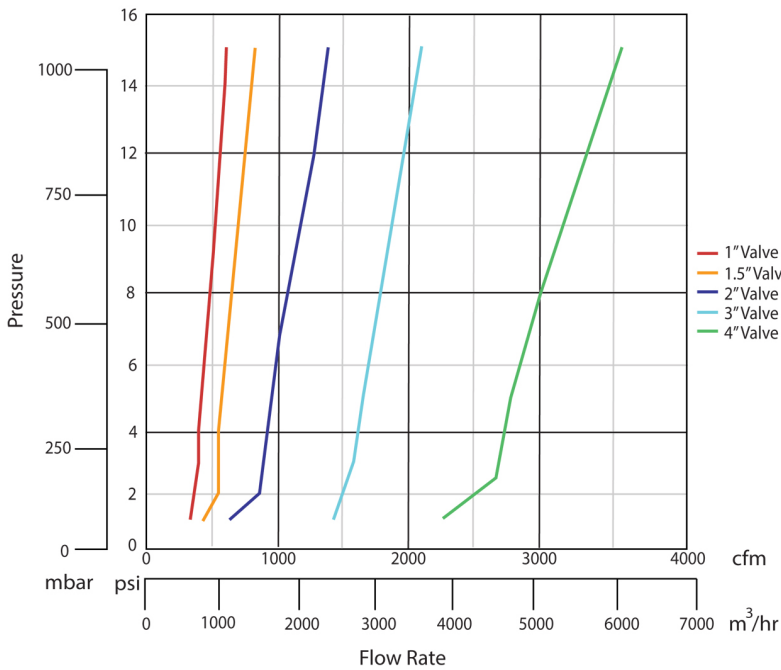


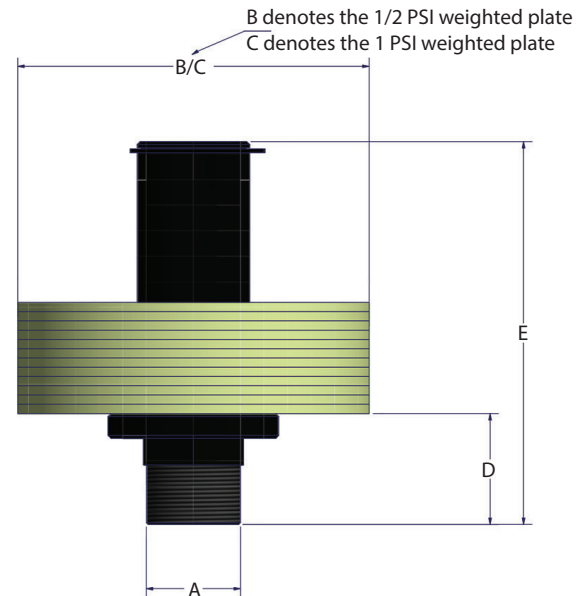
The Republic Weighted Relief Valve is constructed of hard anodized aluminum and is designed to protect blowers from overpressure in a blocked-off mode. Each valve has available either 0.5 PSI incremental weights or 1.0 PSI incremental weights. To adjust, remove snap ring, then add or remove weight plates.

These valves are available in 1, 1.5, 2, 3, or 4 inch sizes and have standard NPT connections for carefree operation and minimal maintenance.

## Performance



Part Number	A (NPT)	B	C	D	E	F*
210-3085A (body) 210-3085-03 (1/2 psi weight)	1.0"	6-3/4 in 171 mm	-	2-1/4 in 57 mm	7-3/4 in 197 mm	8-27/50 in 217 mm
210-3086A (body) 210-3086-03 (1/2 psi weight)	1.5"	7-1/10 in 180 mm	-	2-1/4 in 57 mm	7-3/4 in 197 mm	8-27/50 in 217 mm
210-3068A (body) 210-3068-03 (1/2 psi weight) 210-3068-05 (1 psi weight)	2.0"	6-3/4 in 171 mm	9-13/100 in 232 mm	2-31/100 in 59 mm	7-81/100 in 198 mm	8-61/100 in 219 mm
210-3069A (body) 210-3069-03 (1/2 psi weight) 210-3069-05 (1 psi weight)	3.0"	10-13/25 in 267 mm	14-9/25 in 365 mm	4-22/25 in 124 mm	8-7/10 in 221 mm	9-83/100 in 250 mm
210-3070A (body) 210-3070-03 (1/2 psi weight) 210-3070-05 (1 psi weight)	4.0"	13-13/25 in 343 mm	18-47/100 in 469 mm	3-17/50 in 85 mm	9-83/100 250 mm	10-47/100 in 266 mm



\*Dimensions not shown. Denotes the maximum height when valve is fully open. Valve must be mounted in an upright and vertical position.