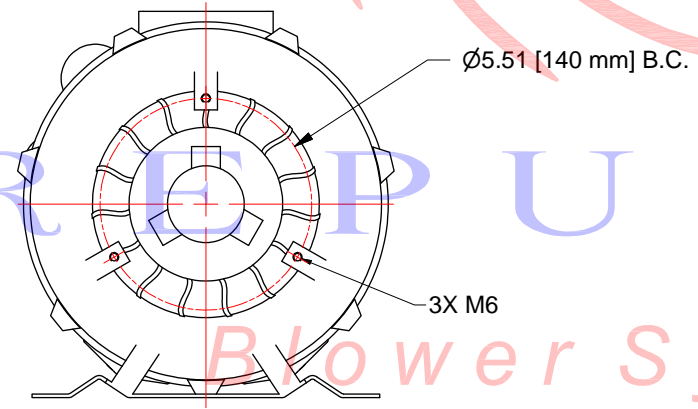
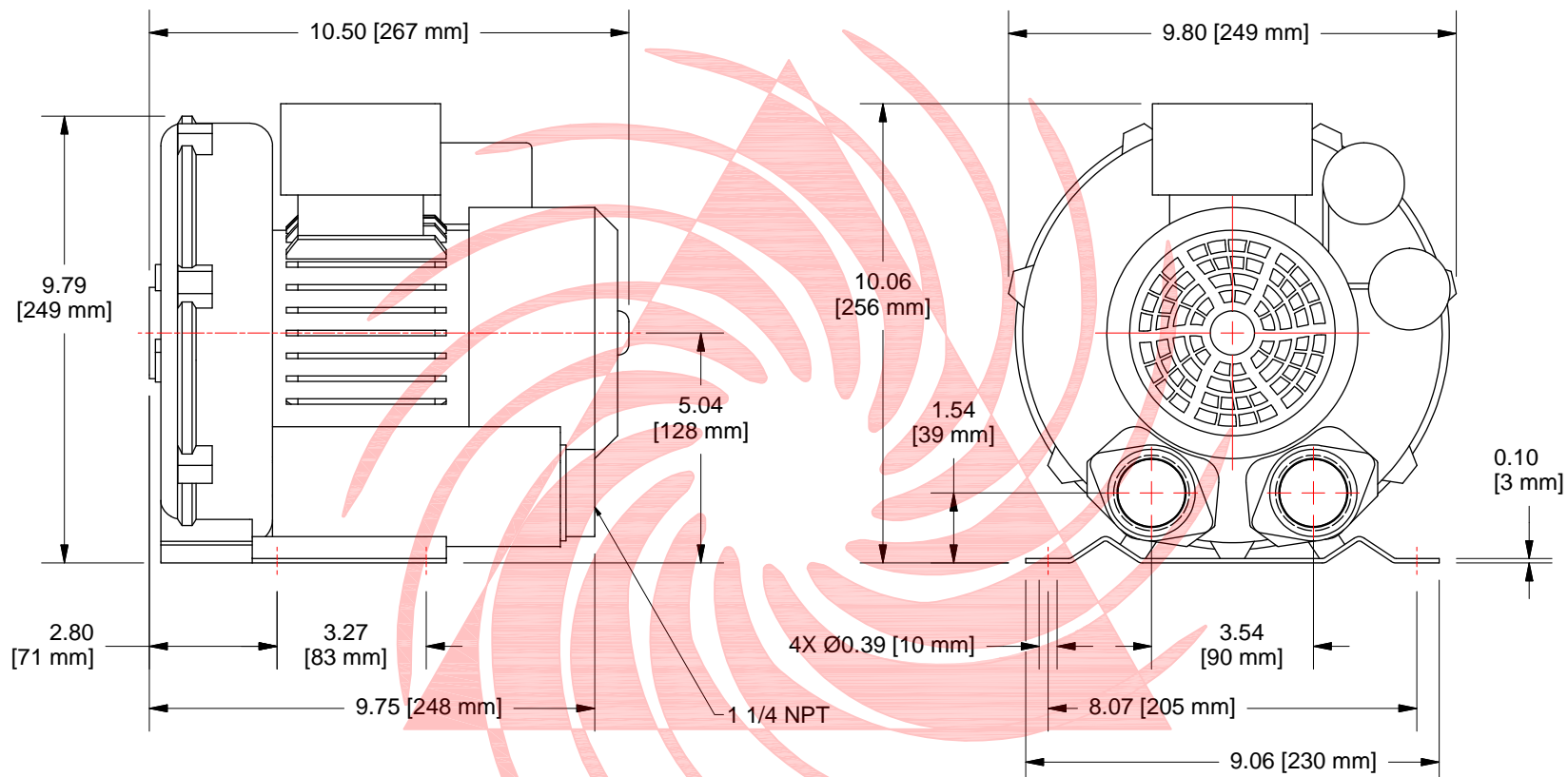


REVISIONS		DATE	REV BY	ZONE
ECR#	REV	DESCRIPTIONS		



REPUBLIC

Blower Systems®

UNLESS OTHERWISE SPECIFIED ALL DIMENSIONS ARE IN INCHES DECIMALS: FRACTIONS: ANGLES: XXXX ± .005 ± 1/32 ± 0°-30' XX ± .010 BREAK ALL SHARP EDGES MACHINE SURFACE FINISH IN RMS 12.5 NOTICE PROPRIETY RIGHTS INVOLVED THIS DOCUMENT AND ALL ACCOMPANYING INFORMATION AND DATA ARE AND REMAIN THE PROPERTY OF REPUBLIC SALES & MFG. AND ARE NOT TO BE COPIED, REPRODUCED, REPRODUCED, TRANSMITTED OR DISCLOSED TO OTHERS WITHOUT EXPRESS WRITTEN PERMISSION AND ARE TO BE RETURNED UPON REQUEST. THEREFORE, ALL RIGHTS IN PROPRIETY AND NOVEL FEATURES OF THE SUBJECT MATTER ARE EXPRESSLY RESERVED BY REPUBLIC SALES & MFG. ACCEPTANCE OF THE FOREGOING IS INDICATED BY ACCEPTANCE OF THIS DOCUMENT.	DRAWN R Tandy	1/16/2012	Republic Sales & Mfg. www.republicsales.com		
	ROUTING QA	TITLE Republic Sales Regen Blower		SIZE C	DWG NO HRB101
	MFG APPROVED	MATERIAL		REV	SCALE SHEET 1 OF 1
	FINISH	FINISH		SCALE SHEET 1 OF 1	