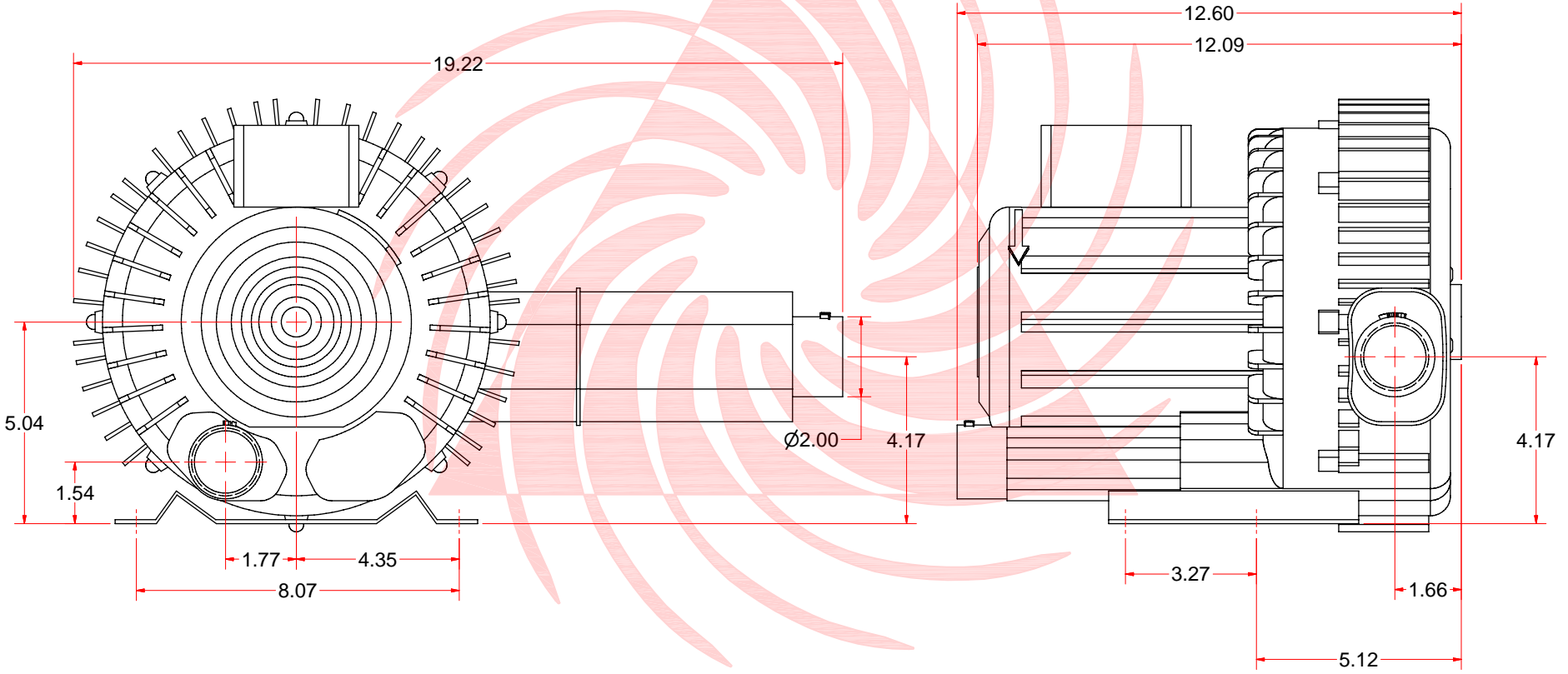


REVISIONS		DATE	REV BY	ZONE
ECR#	REV	DESCR PTIONS		



REPUBLIC

Blower Systems®

UNLESS OTHERWISE SPECIFIED ALL DIMENSIONS ARE IN INCHES DECIMALS: XXX = ± .005 XX = ± .010 FRACT ONS: ± 1/32 ANGLES: ± 0° 30' TOLERANCES: BROKE ALL SHARP EDGES. MACHINE SURFACE FINISH IN RMS 125 NOTICE PROPERTY RIGHTS INVOLVED THIS DOCUMENT AND ALL ACCOMPANYING INFORMATION AND DATA ARE AND REMAIN THE PROPERTY OF REPUBLIC SALES & MFG. AND ARE NOT TO BE COPIED, REPRODUCED, REPRODUCED, TRANSMITTED OR DISCLOSED TO OTHERS WITHOUT EXPRESS WRITTEN PERMISSION AND ARE TO BE RETURNED UPON REQUEST. THEREFORE, ALL RIGHTS IN PROPERTY AND NOVEL FEATURES OF THE SUBJECT MATTER ARE EXPRESSLY RESERVED BY REPUBLIC SALES & MFG. RECIP ENTS AGREEMENT TO THE FOREGOING IS INDICATED BY ACCEPTANCE OF THIS DOCUMENT.	DRAWN N Torres	8/7/2009	Republic Sales & Mfg. www.republicsales.com	
	ROUTING		TITLE Republic Sales Regen Blower	
	QA		SIZE C	DWG NO HRB102
	MFG		SCALE	REV
	APPROVED		SHEET 1 OF 1	
	MATERIAL			
	FINISH			