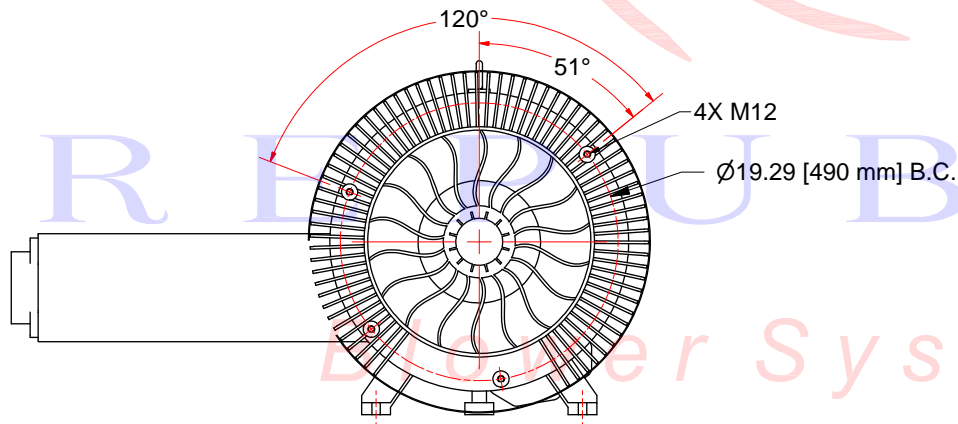
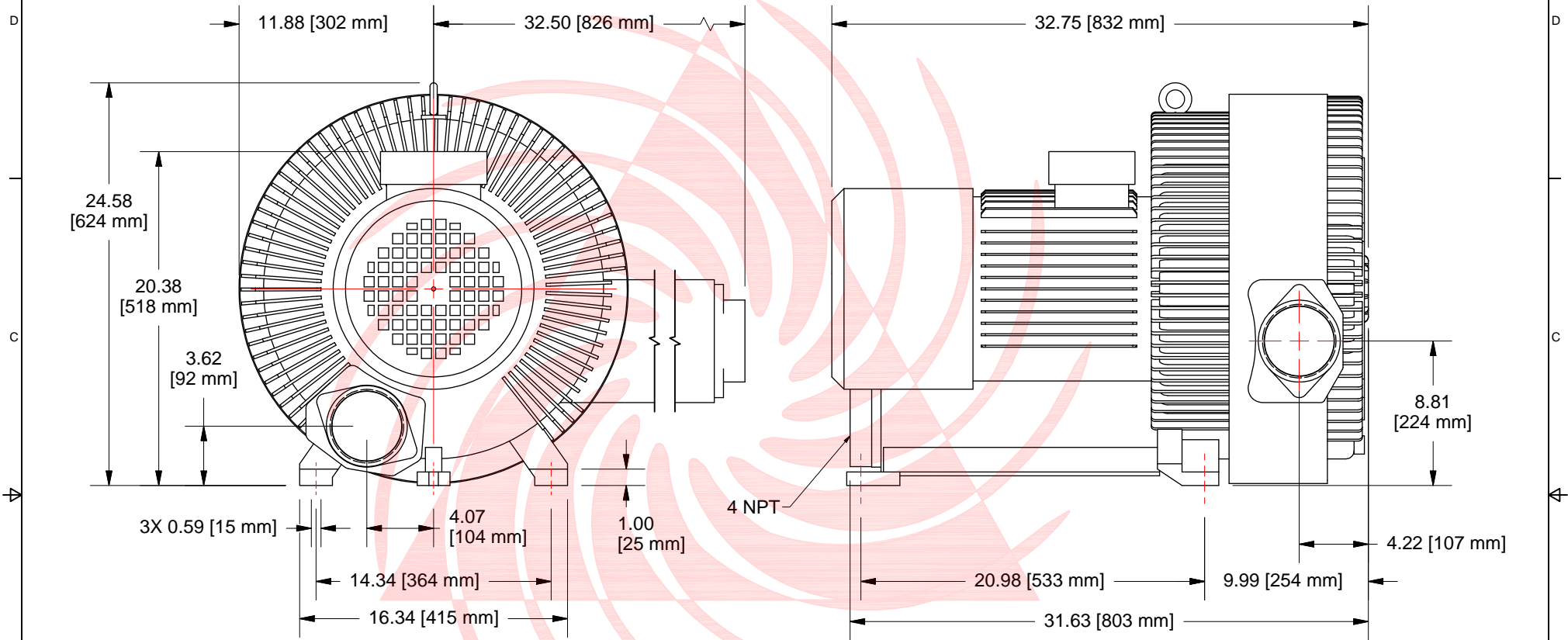


REVISIONS		DATE	REV BY	ZONE
ECR#	REV	DESCR PTIONS		



Updated 8/27/12

UNLESS OTHERWISE SPECIFIED ALL DIMENSIONS ARE IN INCHES DECIMALS: XXX ± .005 FRACT ONS: ± 1/32 ANGLES: ± 0° 30'	DRAWN R Tandy	1/16/2012	Republic Sales & Mfg. www.replicsales.com	
	ROUTING		TITLE	
BREAK ALL SHARP EDGES MACHINE SURFACE FINISH IN RMS 12.5	QA		Republic Sales Regen Blower	
<b>NOTICE</b> PROPRIETY RIGHTS INVOLVED. THIS DOCUMENT AND ALL ACCOMPANYING INFORMATION AND DATA ARE AND REMAIN THE PROPERTY OF REPUBLIC SALES & MFG. AND ARE NOT TO BE COPIED, REPRODUCED, REPRODUCED, NOR TRANSMITTED OR DISCLOSED TO OTHERS WITHOUT EXPRESS WRITTEN PERMISSION AND ARE TO BE RETURNED UPON REQUEST. THEREFORE, ALL RIGHTS IN PROPERTY AND NOVEL FEATURES OF THE SUBJECT MATTER ARE EXPRESSLY RESERVED BY REPUBLIC SALES & MFG. RECIP ENTS AGREEMENT TO THE FOREGOING IS INDICATED BY ACCEPTANCE OF THIS DOCUMENT.	MFG		SIZE C	DWG NO HRB1502
	APPROVED		SCALE	REV
	MATERIAL		SHEET 1 OF 1	
	FINISH			