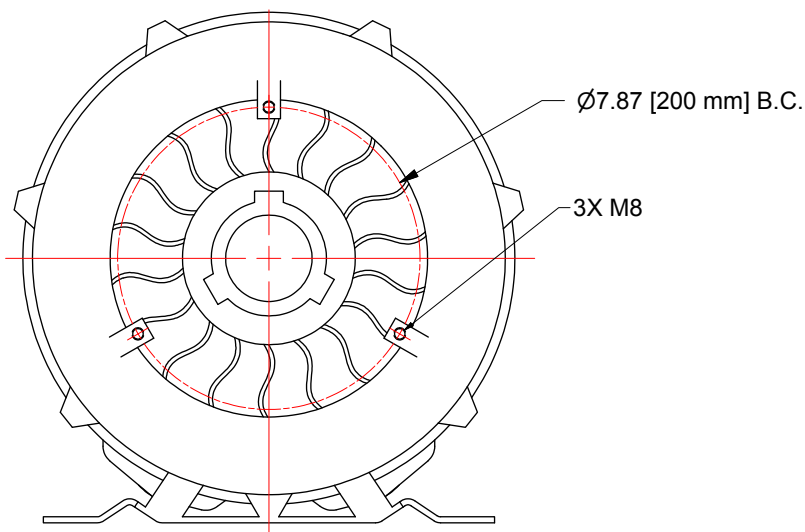
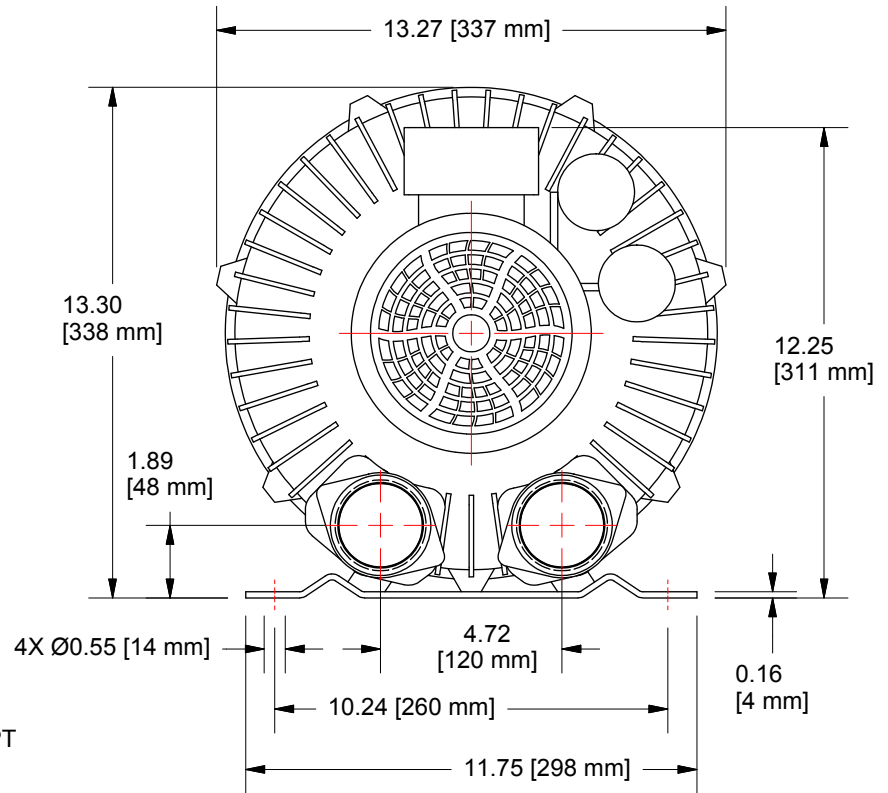
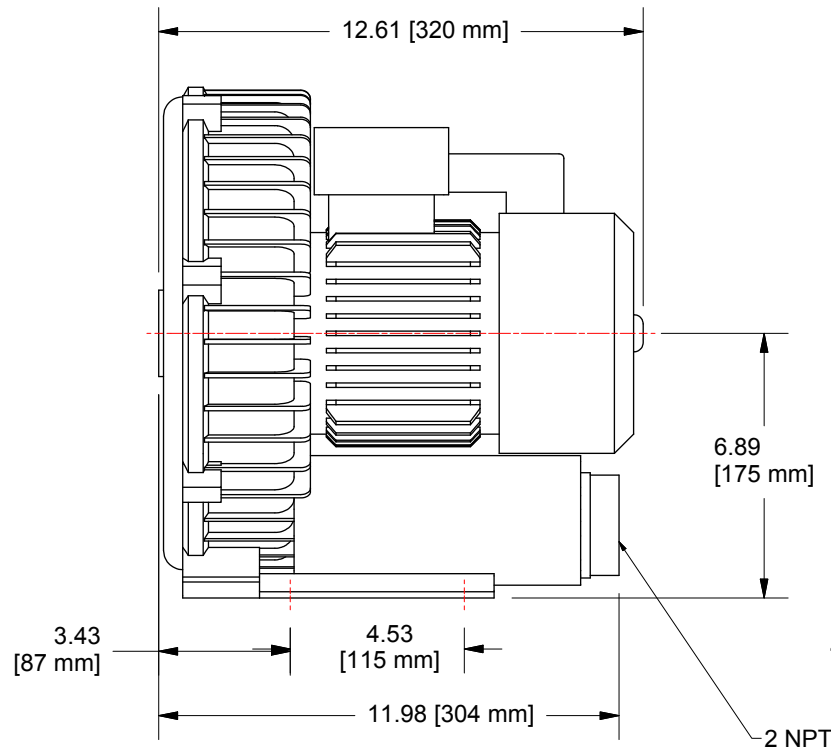


REVISIONS		DATE	REV BY	ZONE
ECR#	REV	DESCRIPTIONS		



UNLESS OTHERWISE SPECIFIED ALL DIMENSIONS ARE IN INCHES		DRAWN R Tandy	1/16/2012	Republic Sales & Mfg. www.republicsales.com	
"TOLERANCES"		ROUTING		TITLE	
DECIMALS: XXX ± .005 XX ± .010	FRACTIONS: ± 1/32	QA		Blower, Republic Regen-1Phase	
ANGLES: ± 0°-30'		MFG		SIZE	DWG NO
BREAK ALL SHARP EDGES MACHINE SURFACE FINISH IN RMS		APPROVED		C	HRB301
NOTICE PROPERTY RIGHTS INVOLVED THIS DOCUMENT AND ALL ACCOMPANYING INFORMATION AND DATA ARE AND REMAIN THE PROPERTY OF REPUBLIC SALES & MFG. AND ARE NOT TO BE COPIED, REPRODUCED, REPRODUCED, NOR TRANSMITTED OR DISCLOSED TO OTHERS WITHOUT EXPRESS WRITTEN PERMISSION AND ARE TO BE RETURNED UPON REQUEST. THEREFORE, ALL RIGHTS IN PROPERTY AND NOVEL FEATURES OF THE SUBJECT MATTER ARE EXPRESSLY RESERVED BY REPUBLIC SALES & MFG. ACCEPTANCE OF THE FOREGOING IS INDICATED BY ACCEPTANCE OF THIS DOCUMENT.		MATERIAL		SCALE	SHEET 1 OF 1
		FINISH			REV