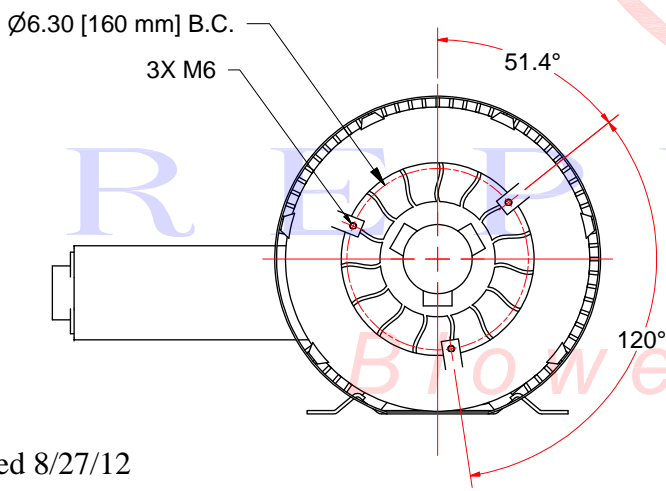
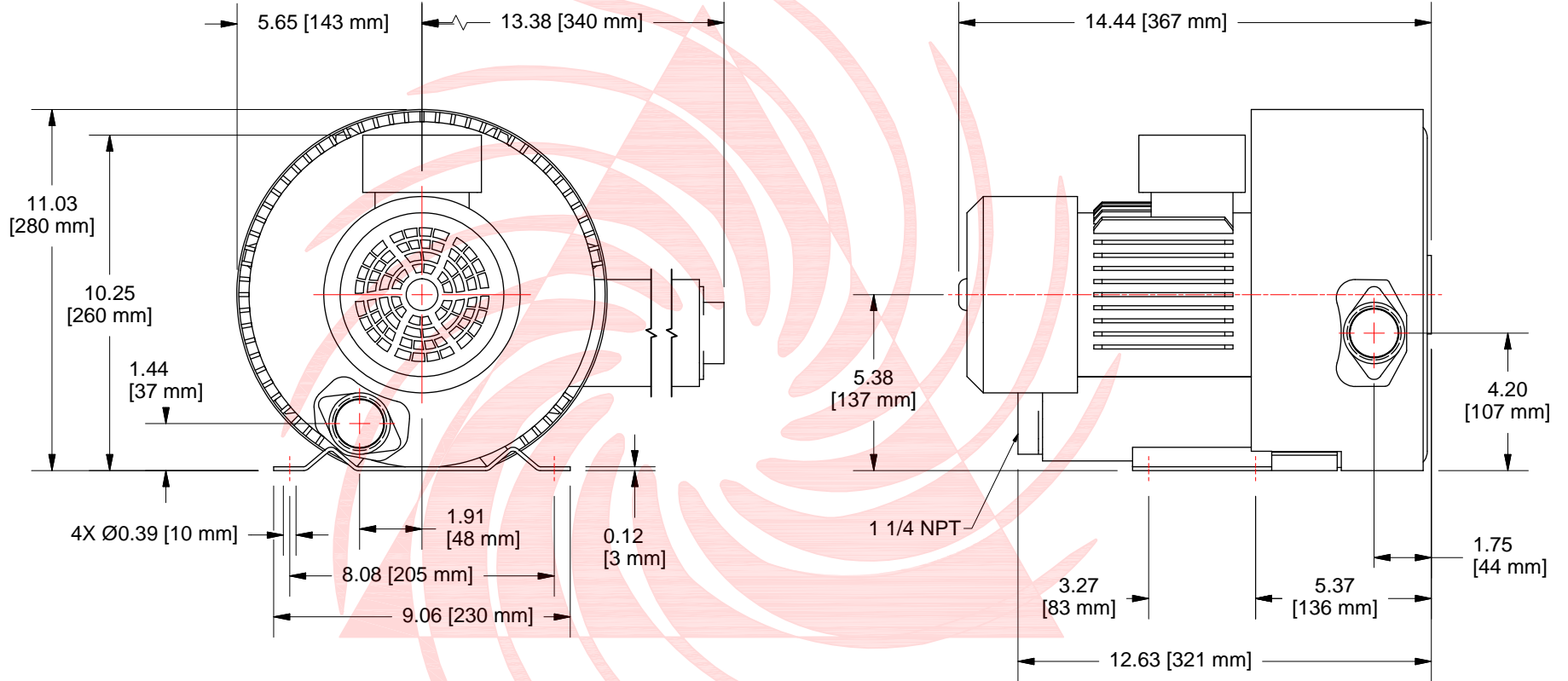


REVISIONS		DATE	REV BY	ZONE
ECR#	REV	DESCR PTIONS		



Updated 8/27/12

UNLESS OTHERWISE SPECIFIED ALL DIMENSIONS ARE IN INCHES		DRAWN R Tandy	2/22/2012	Republic Sales & Mfg. www.replicales.com	
DECIMALS: XXX = ±.005 XX = ±.010	FRACT ONS: ± 1/32	ANGLES: ± 0° 30'	ROUTING	TITLE	
BREAK ALL SHARP EDGES MACHINE SURFACE FINISH IN RMS 12.5			QA	Republic Sales Regen Blower	
NOTICE PROPRIETY RIGHTS INVOLVED THIS DOCUMENT AND ALL ACCOMPANYING INFORMATION AND DATA ARE AND REMAIN THE PROPERTY OF REPUBLIC SALES & MFG. AND ARE NOT TO BE COPIED, REPRODUCED, TRANSMITTED OR DISCLOSED TO OTHERS WITHOUT EXPRESS WRITTEN PERMISSION AND ARE TO BE RETURNED UPON REQUEST. THEREFORE, ALL RIGHTS IN PROPERTY AND NOVEL FEATURES OF THE SUBJECT MATTER ARE EXPRESSLY RESERVED BY REPUBLIC SALES & MFG. RECIP ENTS AGREEMENT TO THE FOREGOING IS INDICATED BY ACCEPTANCE OF THIS DOCUMENT.			MPG	APPROVED	
			MATERIAL	SIZE	DWG NO
			FINISH	C	HRB302
			SCALE	SHEET 1 OF 1	REV