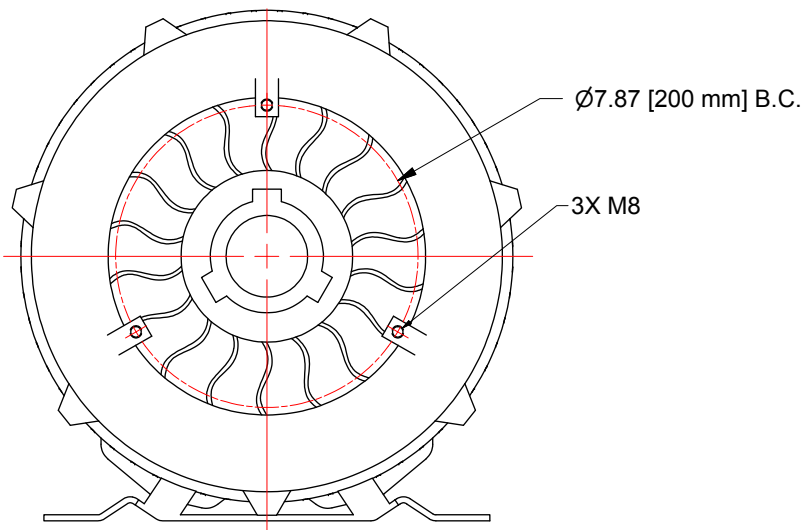
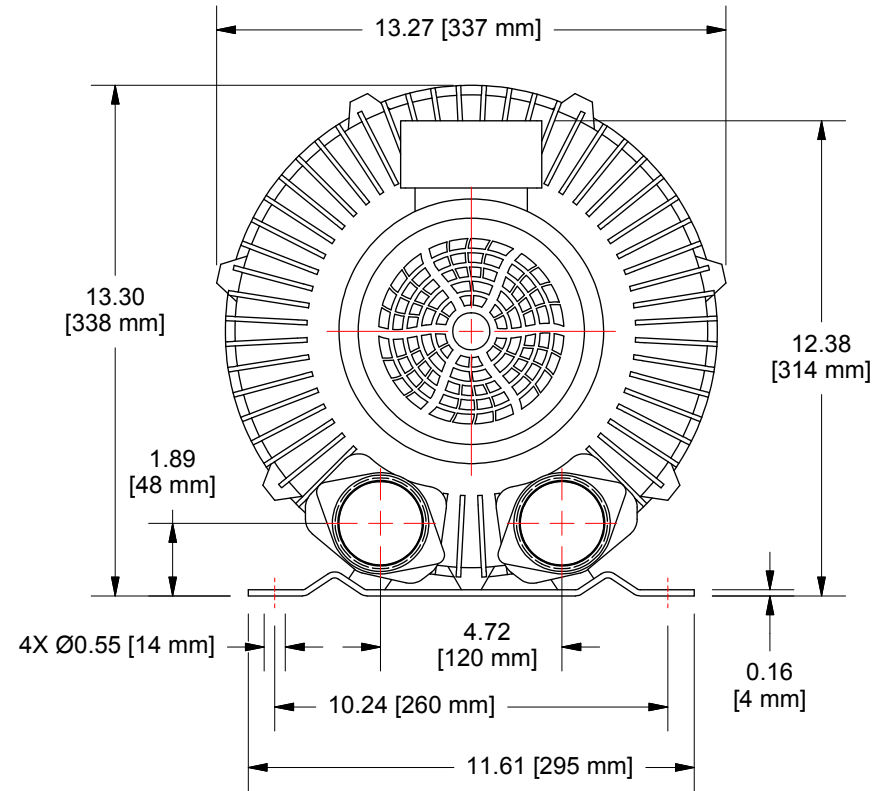
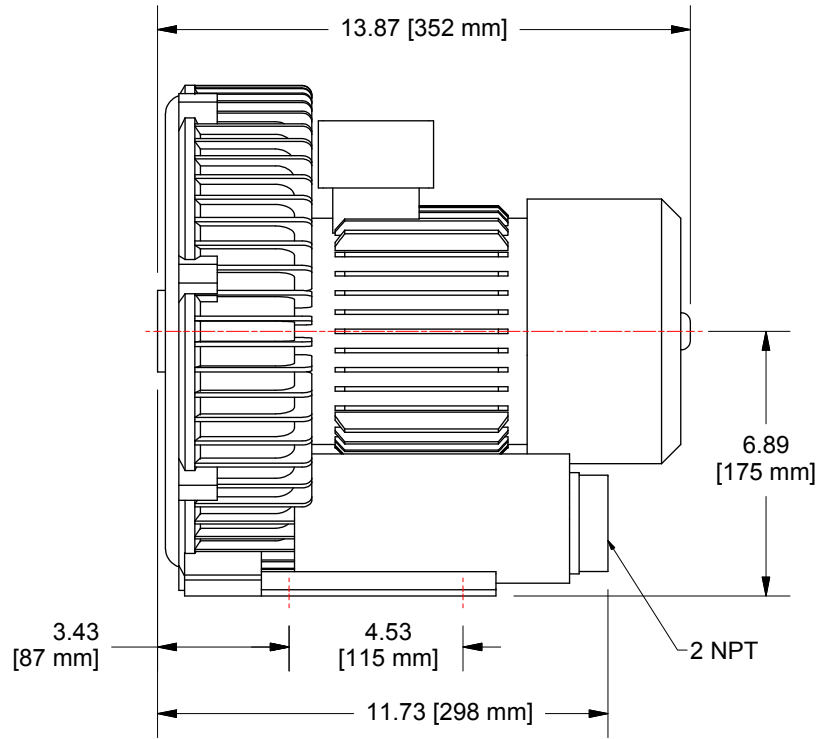


REVISIONS		DATE	REV BY	ZONE
ECR#	REV	DESCRIPTIONS		



UNLESS OTHERWISE SPECIFIED ALL DIMENSIONS ARE IN INCHES		DRAWN R Tandy	1/16/2012	Republic Sales & Mfg. www.republicsales.com	
DECIMALS: XXX ± .005 XX ± .010		ROUTING		TITLE	
FRACTIONS: ± 1/32		QA		Republic Sales Regen Blower	
ANGLES: ± 0°-30'		MFG		SIZE DWG NO C HRB400	
BREAK ALL SHARP EDGES MACHINE SURFACE FINISH IN RMS 12.5		APPROVED		REV	
NOTICE PROPERTY RIGHTS INVOLVED THIS DOCUMENT AND ALL ACCOMPANYING INFORMATION AND DATA ARE AND REMAIN THE PROPERTY OF REPUBLIC SALES & MFG. AND ARE NOT TO BE COPIED, REPRODUCED, REPRODUCED, NOR TRANSMITTED OR DISCLOSED TO OTHERS WITHOUT EXPRESS WRITTEN PERMISSION AND ARE TO BE RETURNED UPON REQUEST. THEREFORE, ALL RIGHTS IN PROPERTY AND NOVEL FEATURES OF THE SUBJECT MATTER ARE EXPRESSLY RESERVED BY REPUBLIC SALES & MFG. ACCEPTANCE OF THE FOREGOING IS INDICATED BY ACCEPTANCE OF THIS DOCUMENT.		MATERIAL		SCALE	
		FINISH		SHEET 1 OF 1	