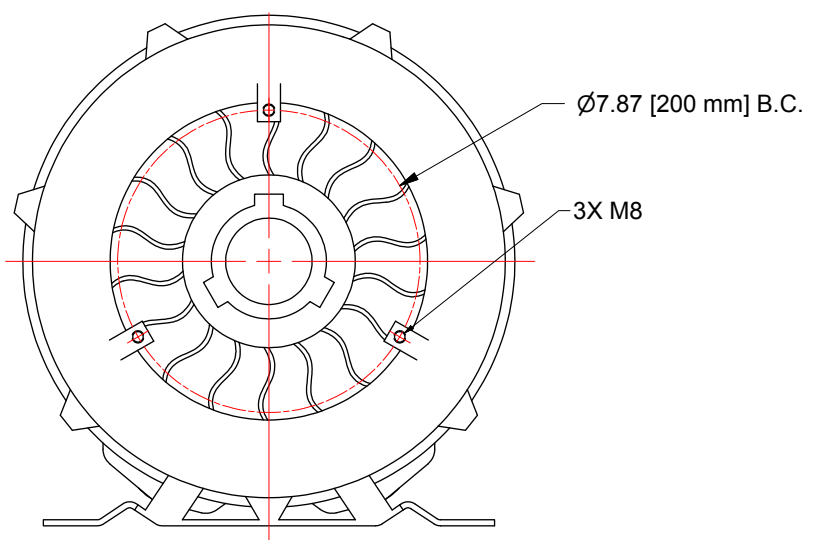
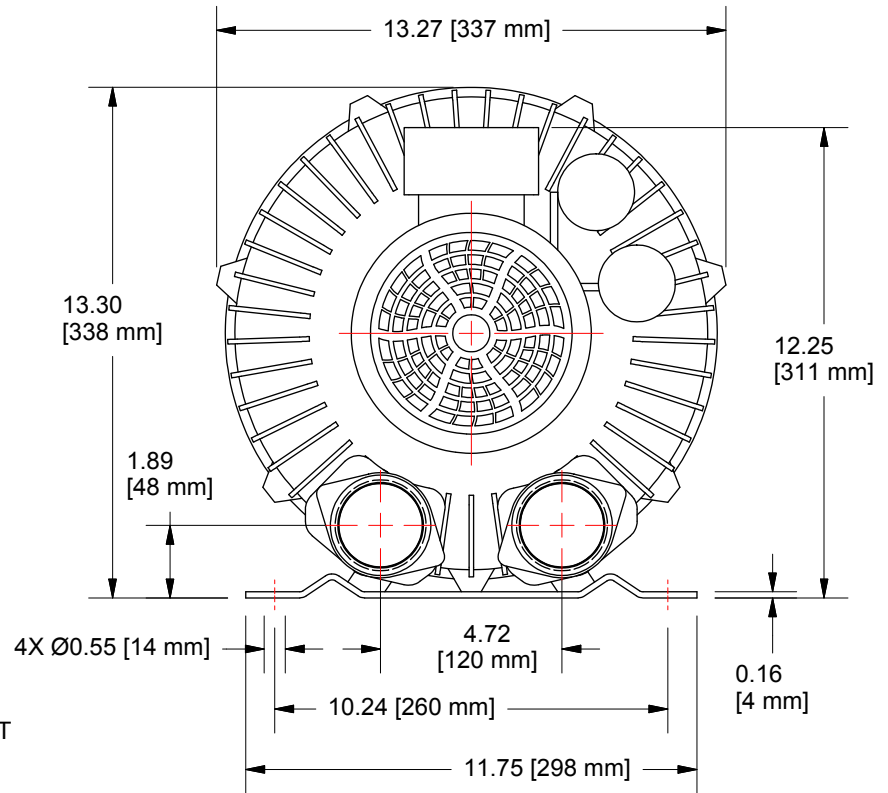
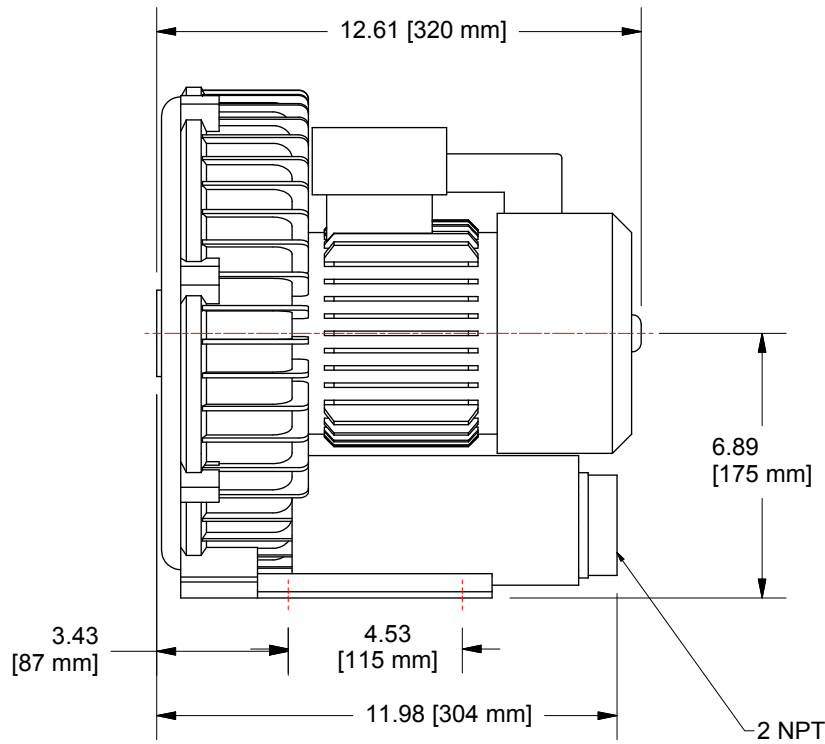


REVISIONS		DATE	REV BY	ZONE
ECR#	REV	DESCRIPTIONS		



UNLESS OTHERWISE SPECIFIED ALL DIMENSIONS ARE IN INCHES DECIMALS: XXX ± .005 XX ± .010 FRACTIONS: ± 1/32 ANGLES: ± 0°-30' TOLERANCES: BREAK ALL SHARP EDGES MACHINE SURFACE FINISH IN RMS $\sqrt{32}$ NOTICE PROPRIETY RIGHTS INVOLVED THIS DOCUMENT AND ALL ACCOMPANYING INFORMATION AND DATA ARE AND REMAIN THE PROPERTY OF REPUBLIC SALES & MFG. AND ARE NOT TO BE COPIED, REPRODUCED, TRANSMITTED OR DISCLOSED TO OTHERS WITHOUT EXPRESS WRITTEN PERMISSION AND ARE TO BE RETURNED UPON REQUEST. THEREFORE, ALL RIGHTS IN PROPRIETY AND NOVEL FEATURES OF THE SUBJECT MATTER ARE EXPRESSLY RESERVED BY REPUBLIC SALES & MFG. RECIPENTS AGREEMENT TO THE FOREGOING IS INDICATED BY ACCEPTANCE OF THIS DOCUMENT.	DRAWN R Tandy	1/16/2012	Republic Sales & Mfg. www.republicsales.com	
	ROUTING		TITLE	
	QA		Blower, Republic Regen-1Phase	
	MFG		SIZE	DWG NO
APPROVED		C	HRB401	
MATERIAL		SCALE	SHEET 1 OF 1	
FINISH				