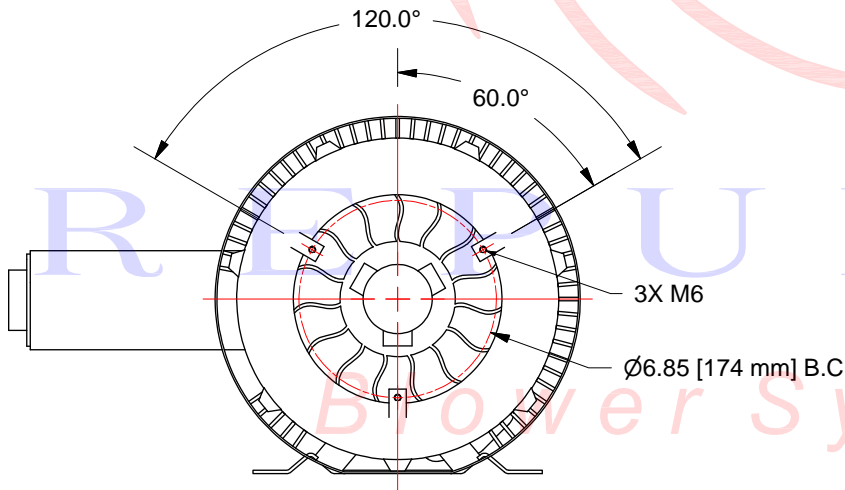
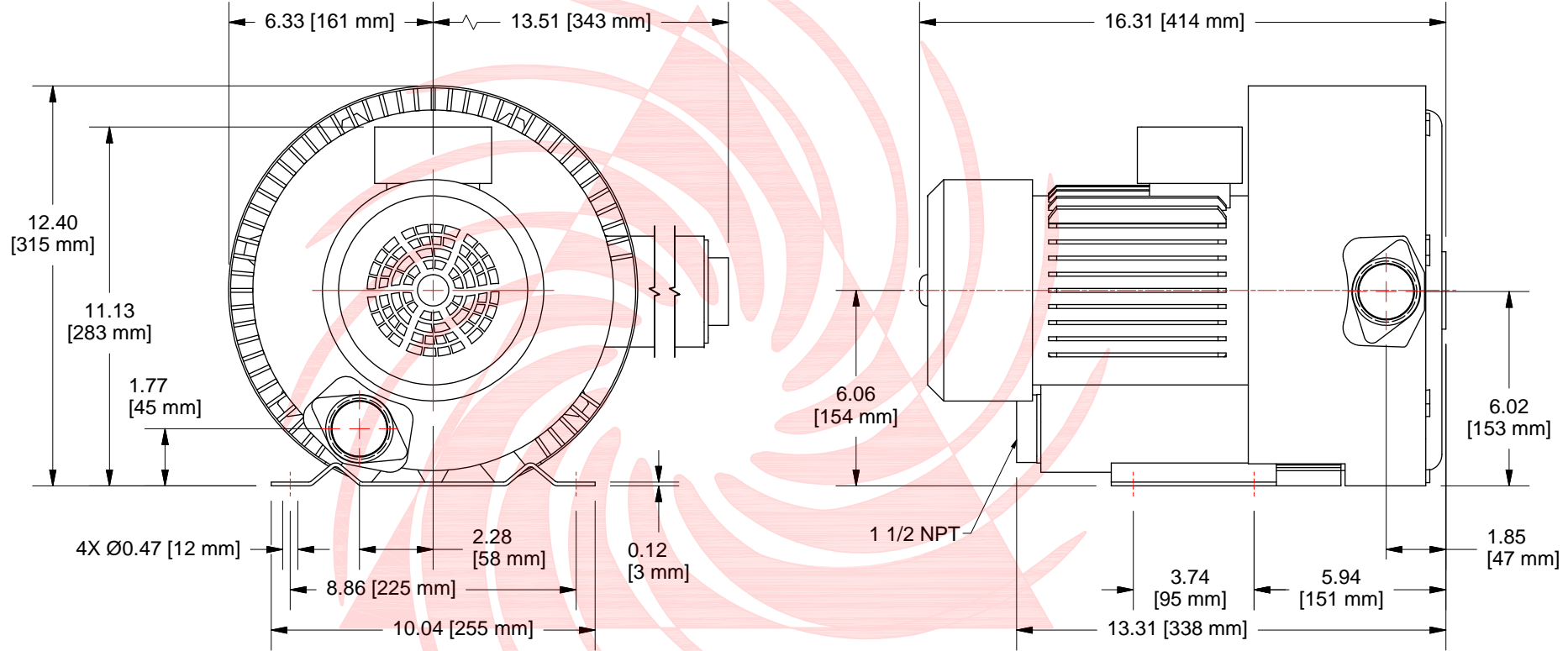


ECR#		REV	DESCR PTIONS	DATE	REV BY	ZONE



UNLESS OTHERWISE SPECIFIED ALL DIMENSIONS ARE IN INCHES		DRAWN R Tandy	2/22/2012	Republic Sales & Mfg. www.republicsales.com	
DECIMALS: XXX = ±.005 XX = ±.010	FRACT ONS: ± 1/32	ANGLES: ± 0° 30'	ROUTING	TITLE	
BREAK ALL SHARP EDGES MACHINE SURFACE FINISH IN RMS 12.5			QA	Republic Sales Regen Blower	
NOTICE PROPERTY RIGHTS INVOLVED THIS DOCUMENT AND ALL ACCOMPANYING INFORMATION AND DATA ARE AND REMAIN THE PROPERTY OF REPUBLIC SALES & MFG. AND ARE NOT TO BE COPIED, REPRODUCED, REPRODUCED, NOR TRANSMITTED OR DISCLOSED TO OTHERS WITHOUT EXPRESS WRITTEN PERMISSION AND ARE TO BE RETURNED UPON REQUEST. THEREFORE, ALL RIGHTS IN PROPERTY AND NOVEL FEATURES OF THE SUBJECT MATTER ARE EXPRESSLY RESERVED BY REPUBLIC SALES & MFG. RECIP ENTS AGREEMENT TO THE FOREGOING IS INDICATED BY ACCEPTANCE OF THIS DOCUMENT			MFG	SIZE DWG NO C HRB402	
			APPROVED	REV	
			MATERIAL	SCALE	
			FINISH	SHEET 1 OF 1	