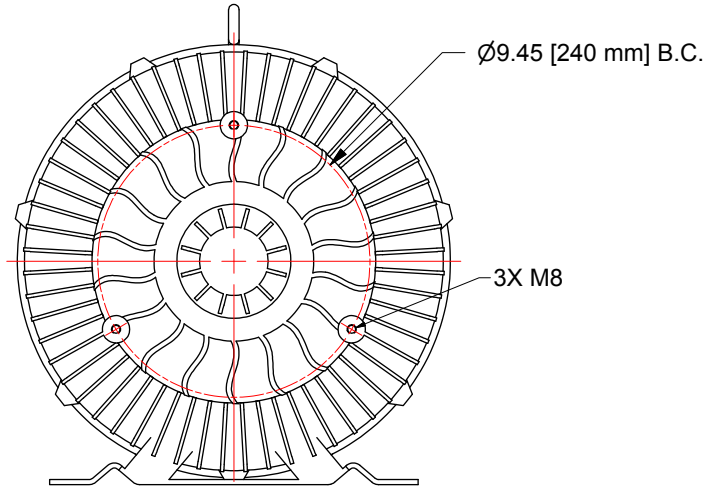
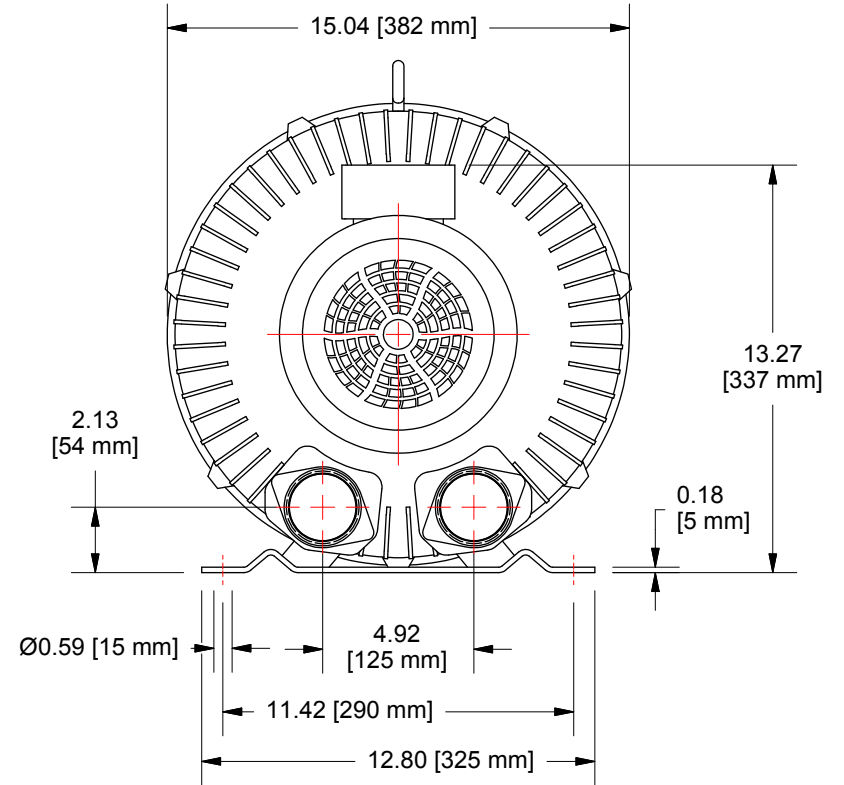
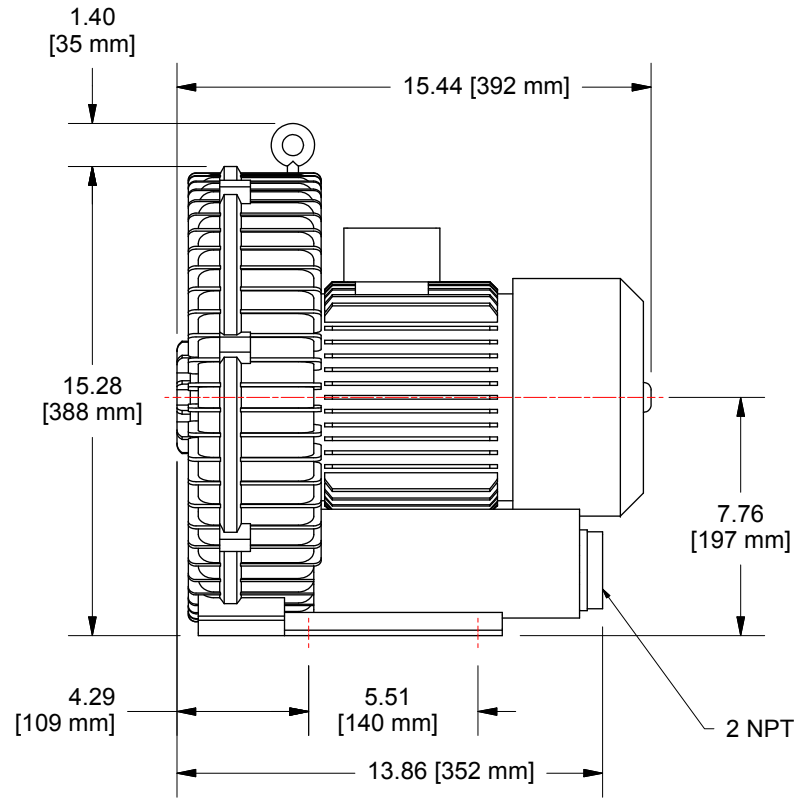


REVISIONS		DATE	REV BY	ZONE
ECR#	REV	DESCRIPTIONS		



UNLESS OTHERWISE SPECIFIED ALL DIMENSIONS ARE IN INCHES DECIMALS: XXX ± .005 XX ± .010 FRACTIONS: ± 1/32 ANGLES: ± 0°-30' BREAK ALL SHARP EDGES MACHINE SURFACE FINISH IN RMS 12.5 NOTICE PROPRIETY RIGHTS INVOLVED THIS DOCUMENT AND ALL ACCOMPANYING INFORMATION AND DATA ARE AND REMAIN THE PROPERTY OF REPUBLIC SALES & MFG. AND ARE NOT TO BE COPIED, REPRODUCED, REPRODUCED, NOR TRANSMITTED OR DISCLOSED TO OTHERS WITHOUT EXPRESS WRITTEN PERMISSION AND ARE TO BE RETURNED UPON REQUEST. THEREFORE, ALL RIGHTS IN PROPRIETY AND NOVEL FEATURES OF THE SUBJECT MATTER ARE EXPRESSLY RESERVED BY REPUBLIC SALES & MFG. RECIPIENT'S AGREEMENT TO THE FOREGOING IS INDICATED BY ACCEPTANCE OF THIS DOCUMENT.	DRAWN R Tandy 2/24/2012	Republic Sales & Mfg. www.republicsales.com
	ROUTING	TITLE
	QA	Republic Sales Regen Blower
	MFG	APPROVED
MATERIAL	FINISH	SIZE C DWG NO HRB500 REV SCALE SHEET 1 OF 1