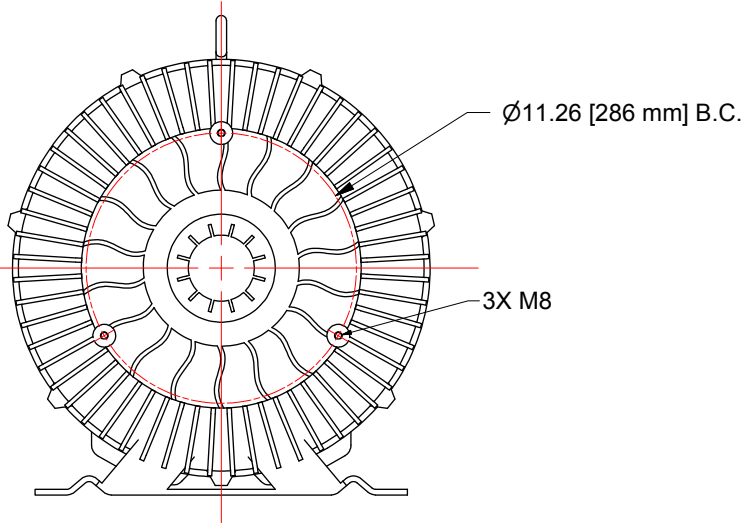
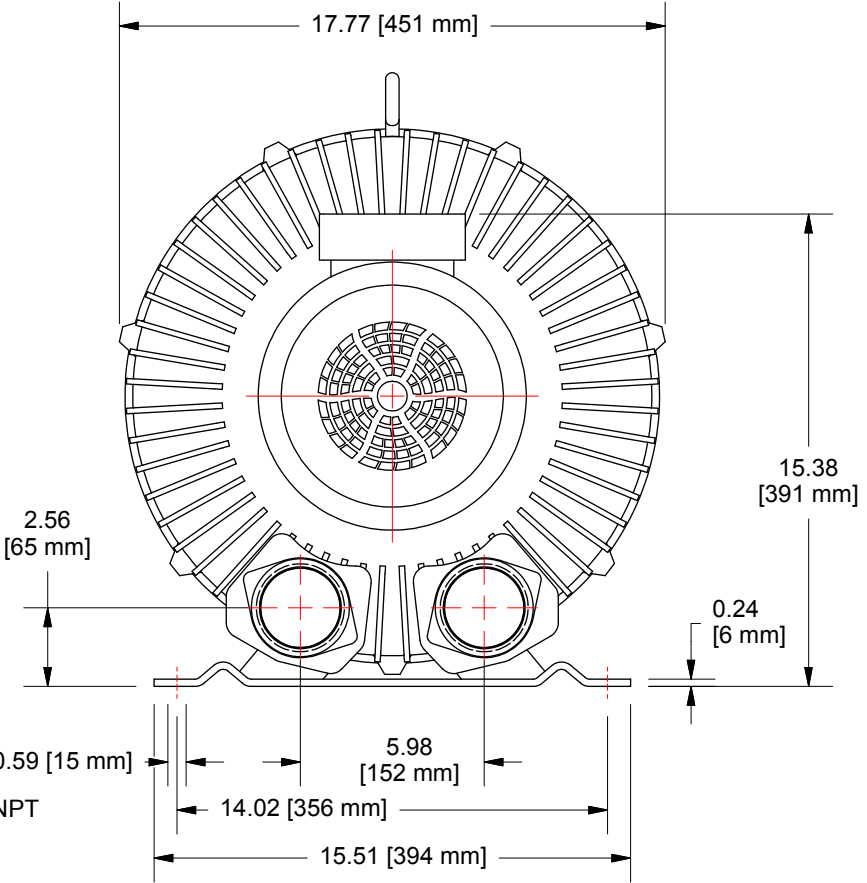
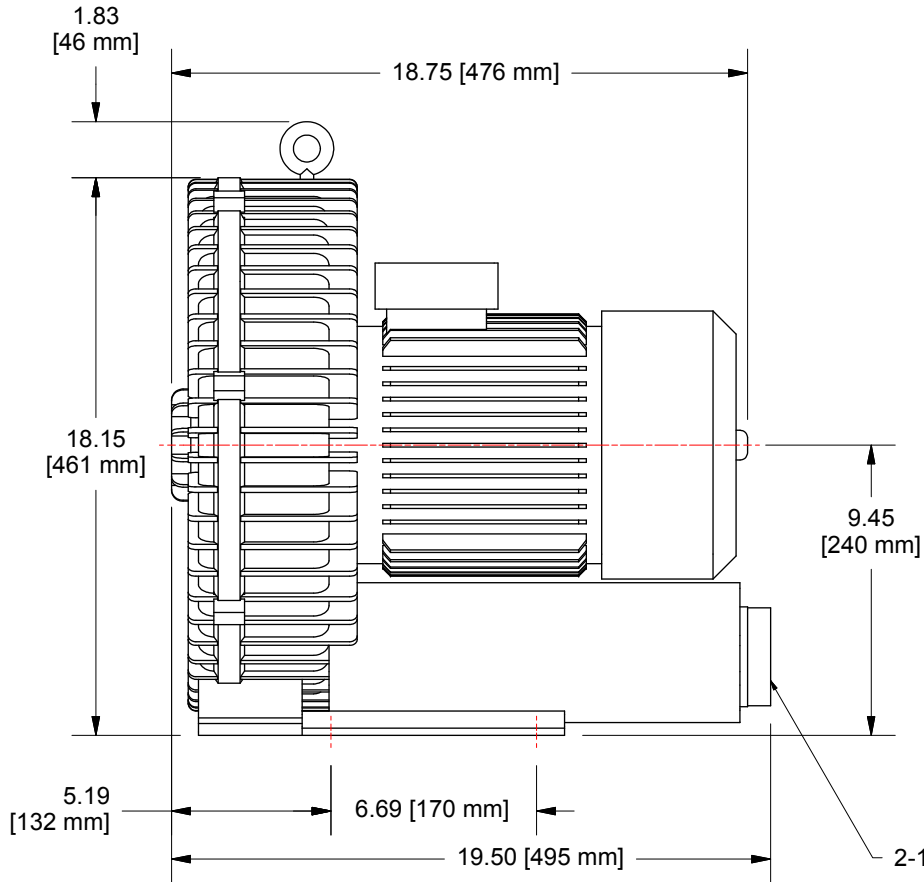


ECR#		REV	DESCRIPTIONS	DATE	REV BY	ZONE



UNLESS OTHERWISE SPECIFIED ALL DIMENSIONS ARE IN INCHES DECIMALS: XXX ± .005 XX ± .010 FRACTIONS: ± 1/32 ANGLES: ± 0°-30" BREAK ALL SHARP EDGES MACHINE SURFACE FINISH IN RMS 12.5 NOTICE PROPRIETY RIGHTS INVOLVED THIS DOCUMENT AND ALL ACCOMPANYING INFORMATION AND DATA ARE AND REMAIN THE PROPERTY OF REPUBLIC SALES & MFG. AND ARE NOT TO BE COPIED, REPRODUCED, REPRODUCED, NOR TRANSMITTED OR DISCLOSED TO OTHERS WITHOUT EXPRESS WRITTEN PERMISSION AND ARE TO BE RETURNED UPON REQUEST. THEREFORE, ALL RIGHTS IN PROPRIETY AND NOVEL FEATURES OF THE SUBJECT MATTER ARE EXPRESSLY RESERVED BY REPUBLIC SALES & MFG. ACCEPTANCE OF THE FOREGOING IS INDICATED BY ACCEPTANCE OF THIS DOCUMENT.	DRAWN R Tandy ROUTING	1/16/2012	Republic Sales & Mfg. www.republicsales.com	
	QA		TITLE	
	MFG		Republic Sales Regen Blower	
	APPROVED		SIZE	DWG NO
MATERIAL		C	HRB750	
FINISH		SCALE	SHEET 1 OF 1	