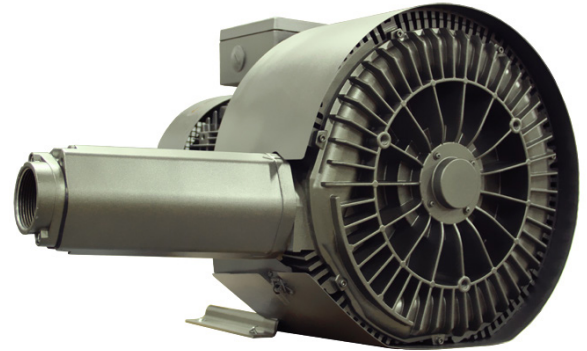
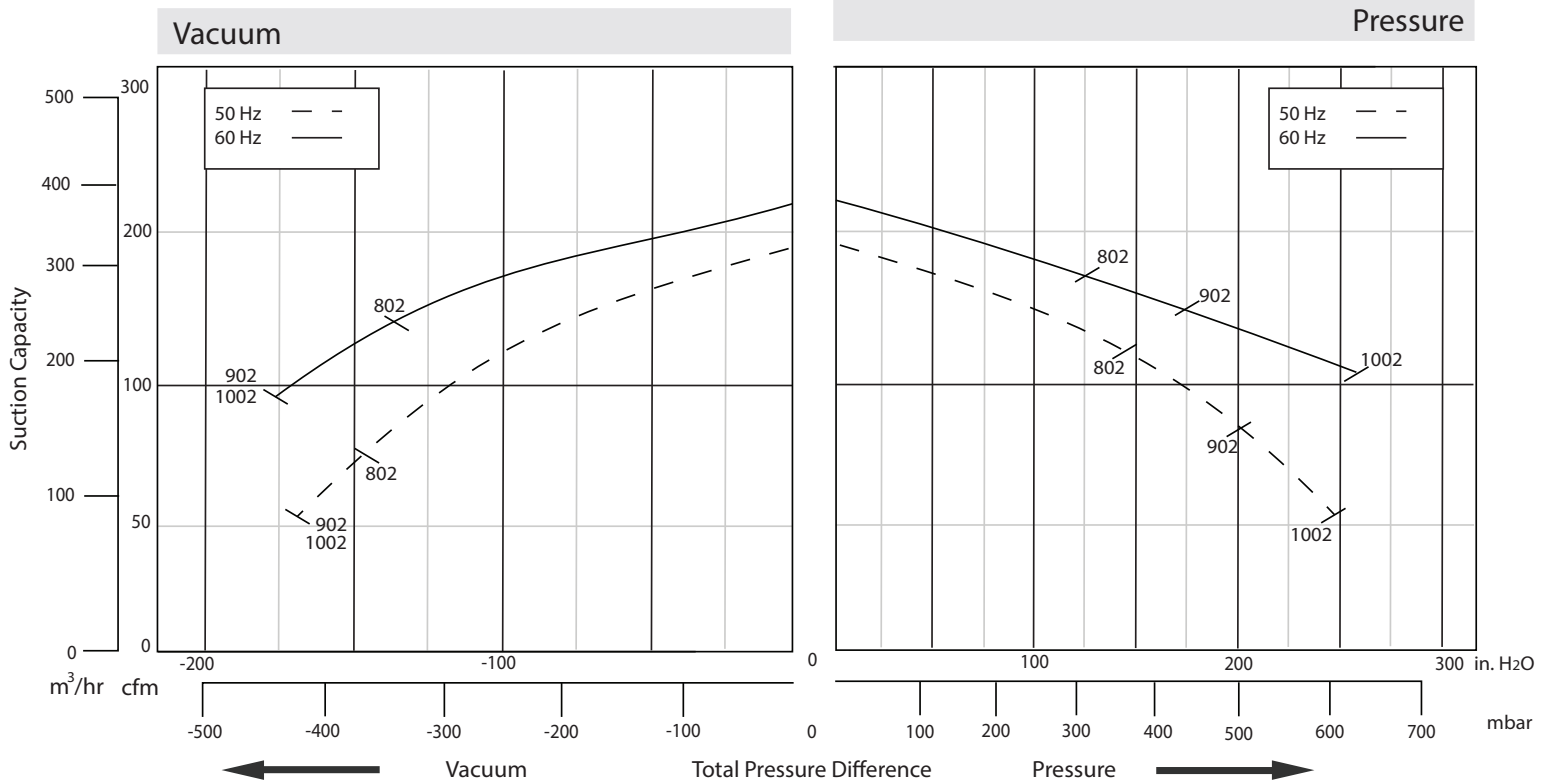


Republic offers a complete line of regenerative blowers for high vacuum or compressed air applications in both horizontal and vertical mounted positions. TEFC motors are rated for 50/60 Hz operation and are cUL, UL, and CE certified. The impeller is directly connected to the motor shaft, providing powerful air force without undue friction. The bearings are outside the compression chamber, ensuring maximum operational reliability under high differential pressure. This low-maintenance, oil-free design provides continuous, dependable service to our customers.



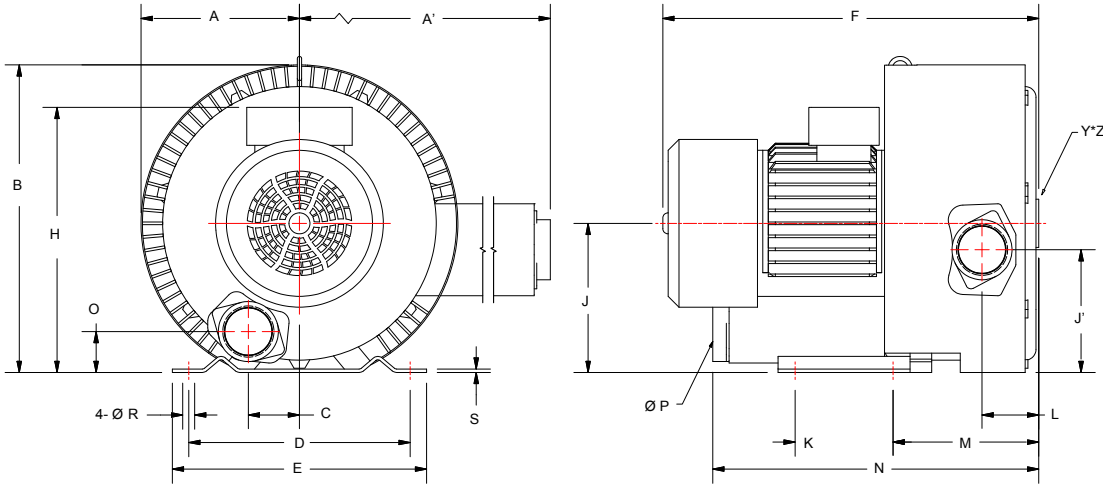
PERFORMANCE



Model	Phase	Frequency (Hz)	Air flow (CFM/m ³ /hr)	Rated Vacuum (in. H ₂ O/mbar)	Rated Pressure (in. H ₂ O/mbar)	Motor (HP/kW)	Voltage (V)	Current (A)	Sound Level (dB)	Weight (lb/kg)
HRB 802	3	50	184/313	145/360	145/360	5.8/4.3	200-240 Δ/345-415 Y	17.3 Δ/10.0 Y	80	130/65
		60	215/367	132/330	128/330	6.4/4.8	220-275 Δ/380-480 Y	18.0 Δ/10.4 Y		
HRB 902	3	50	184/313	169/420	201/500	7.4/5.5	200-240 Δ/345-415 Y	23.0 Δ/13.3 Y	80	172/86
		60	215/367	177/440	177/440	8.4/6.3	220-275 Δ/380-480 Y	23.0 Δ/13.3 Y		
HRB 1002	3	50	184/313	169/420	245/610	10.1/7.5	200-240 Δ/345-415 Y	29.0 Δ/16.7 Y	80	188/94
		60	215/367	177/440	260/648	11.5/8.6	220-275 Δ/380-480 Y	30.5 Δ/17.3 Y		

The performance curves are based on air at a temperature of 59 °F and an atmospheric pressure of 29.91 inch Hg with a tolerance of +/-10%. The total pressure differences are valid for inlet and ambient temperatures up to 77 °F. Suction capacity relates to inlet conditions. Pressure capacity relates to atmospheric conditions. For other conditions please contact Republic. Three phase motor tolerances are +/-10% for fixed voltage motors and +/-5% for voltage range motors. Single phase machines are designed with a +/-5% tolerance. The frequency tolerance is +/-2% maximum.

APPROXIMATE DIMENSIONS

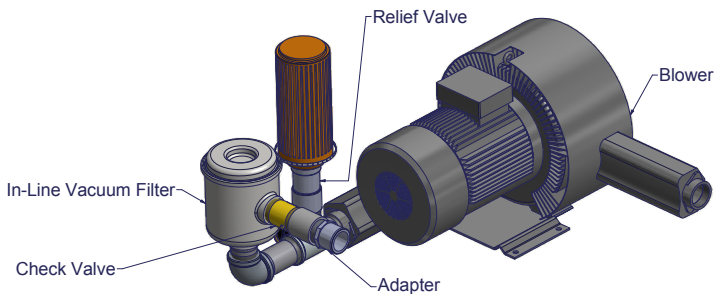


Model	Unit	A	A'	B	C	D	E	F	H	J	J'	K	L	M	N	O	ØP	ØR	S	X	Y*Z
HRB 802	in	8.39	17.52	16.14	2.48	11.42	12.80	21.08	13.75	7.76	6.38	5.51	2.95	8.07	17.64	2.09	2.00	0.59	0.18	9.45	M6
	mm	213	445	410	63	290	325	535	349	197	162	140	75	205	448	53			5	240	
HRB 902	in	8.39	17.52	16.14	6.04	11.42	12.80	23.00	14.50	7.76	6.38	5.51	2.95	8.07	23.38	3.50	2.00	0.59	0.18	9.45	M6
	mm	213	445	410	153	290	325	584	368	197	162	140	75	205	594	89			5	240	
HRB 1002	in	8.39	17.52	16.14	6.04	11.42	12.80	23.00	14.50	7.76	6.58	5.51	2.95	8.07	23.38	3.50	2.00	0.59	0.18	9.45	M10
	mm	213	445	410	153	290	325	584	368	197	162	140	75	205	594	89			5	240	

Available Options

All Republic Regenerative Blowers are available in pre-assembled kits for either pressure or vacuum applications. These kits include an inlet filter, gauge and relief valve, and are factory tested prior to shipment. Optional items for these kits include check valve, and tube adaptor; washdown motors, explosion proof motors, or other specialty motors; noise enclosures; and control panels such as VFD's, PLC's, or starter panels.

VACUUM KIT



PRESSURE KIT

