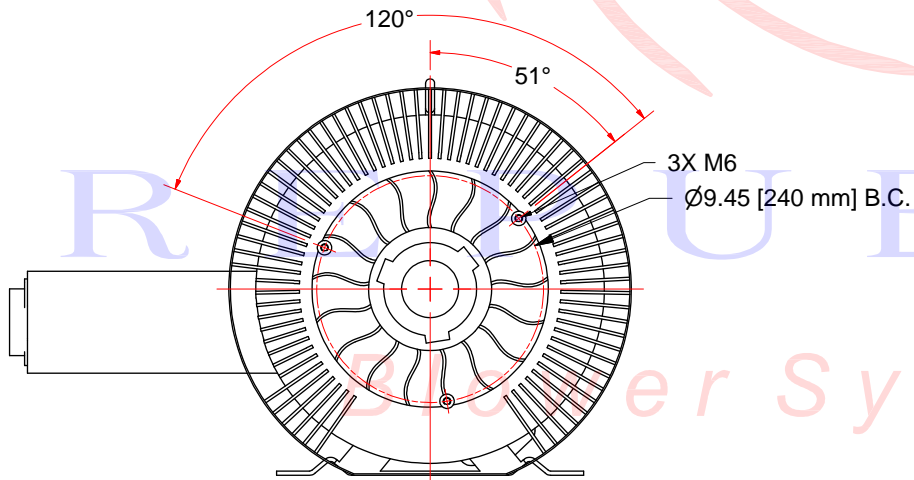
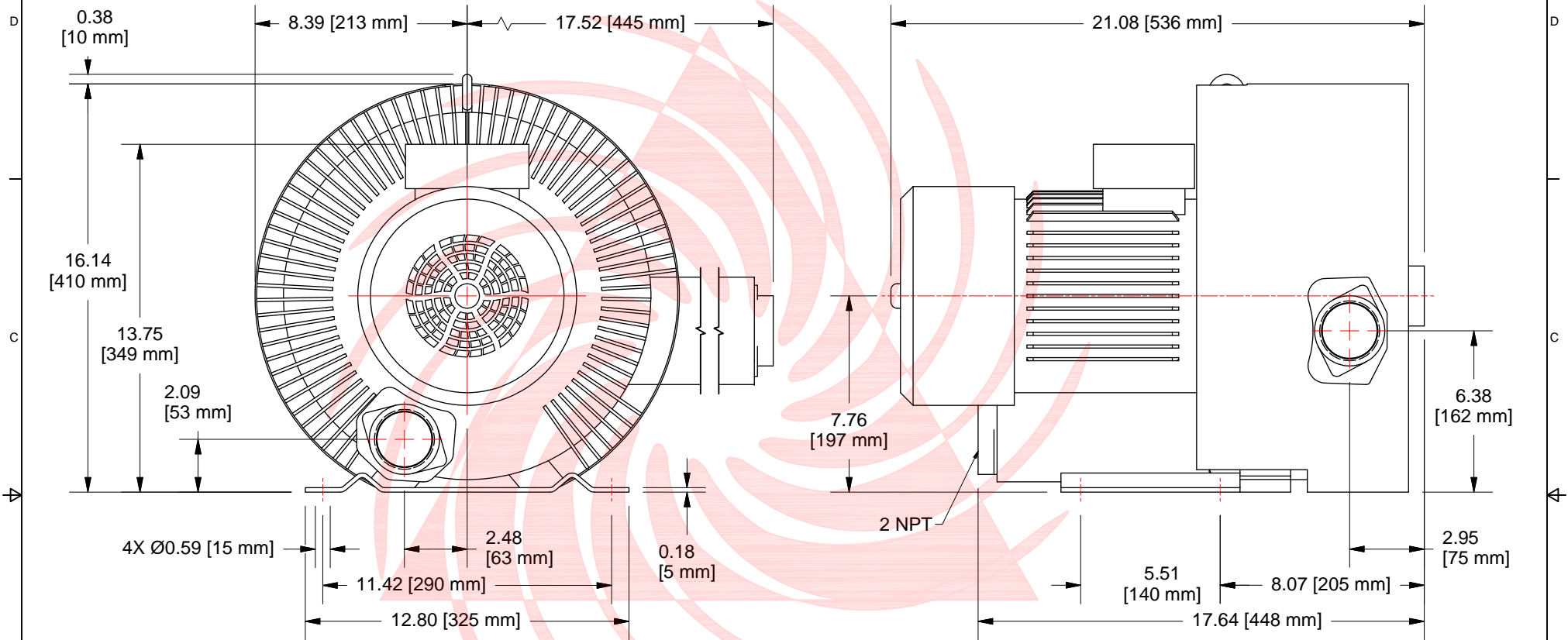


REVISIONS					
ECR#	REV	DESCR PTIONS	DATE	REV BY	ZONE



UNLESS OTHERWISE SPECIFIED ALL DIMENSIONS ARE IN INCHES DECIMALS: XXX ± .005 XX ± .010	DRAWN R Tandy	2/22/2012	Republic Sales & Mfg. www.replicales.com	
			TITLE	
ROUTING			Republic Sales Regen Blower	
QA			SIZE	DWG NO
MFG			C	HRB802
APPROVED			SCALE	SHEET 1 OF 1
MATERIAL				
FINISH				

REPUBLIC

Blower Systems