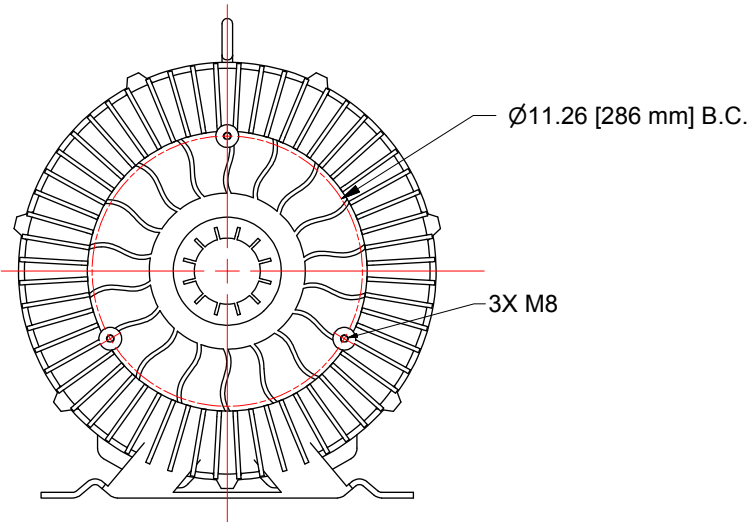
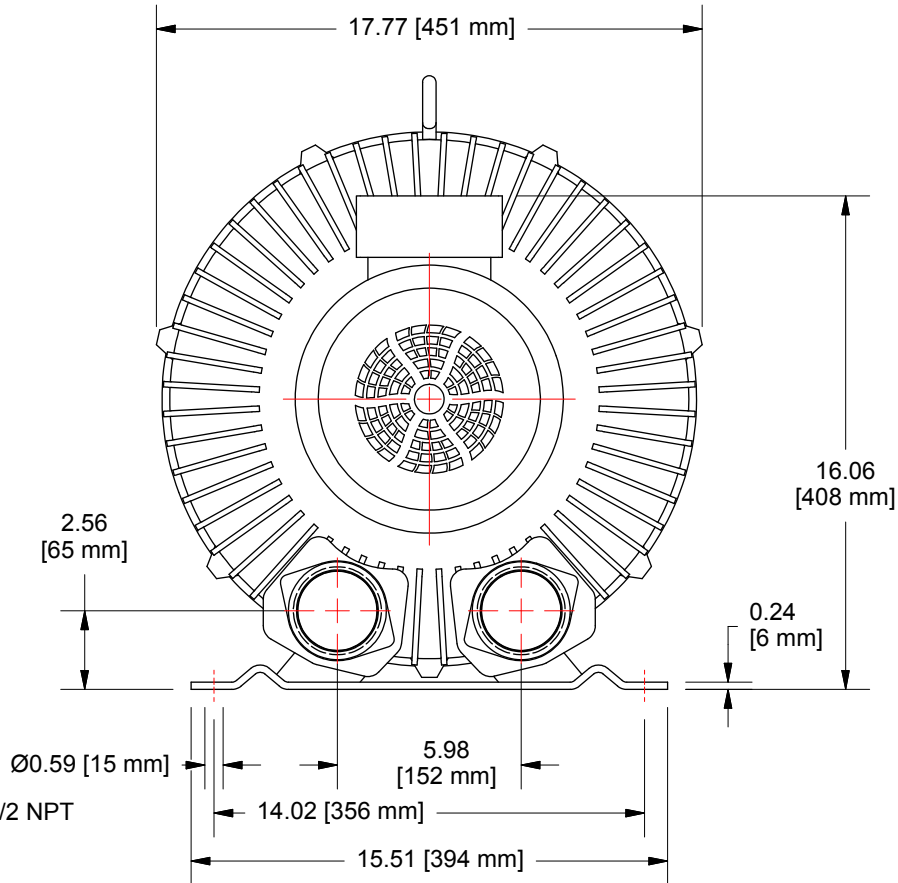
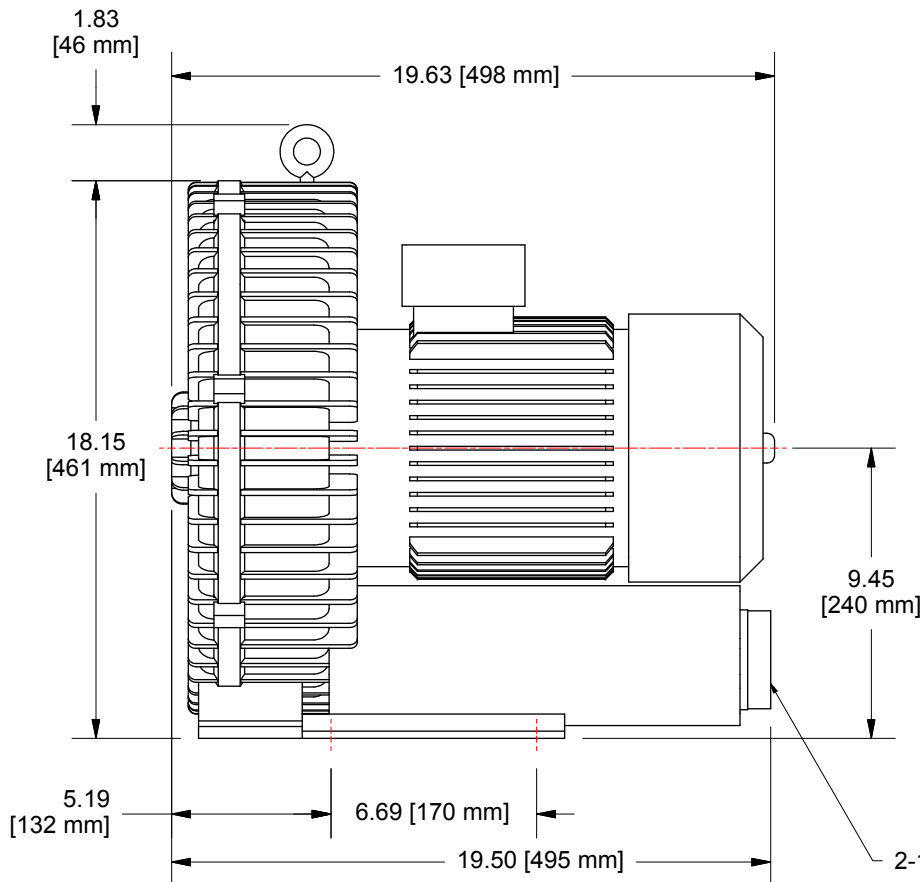


ECR#		REV	DESCRIPTIONS	DATE	REV BY	ZONE



UNLESS OTHERWISE SPECIFIED ALL DIMENSIONS ARE IN INCHES DECIMALS: XXX ± .005 XX ± .010 FRACTIONS: ± 1/32 ANGLES: ± 0°-30'	DRAWN R Tandy	1/16/2012	Republic Sales & Mfg. www.republicsales.com	
	ROUTING		TITLE Republic Sales Regen Blower	
BREAK ALL SHARP EDGES MACHINE SURFACE FINISH IN RMS 12.5	QA		SIZE C	DWG NO HRB900
NOTICE PROPERTY RIGHTS INVOLVED THIS DOCUMENT AND ALL ACCOMPANYING INFORMATION AND DATA ARE AND REMAIN THE PROPERTY OF REPUBLIC SALES & MFG. AND ARE NOT TO BE COPIED, REPRODUCED, REPRODUCED, NOR TRANSMITTED OR DISCLOSED TO OTHERS WITHOUT EXPRESS WRITTEN PERMISSION AND ARE TO BE RETURNED UPON REQUEST. THEREFORE, ALL RIGHTS IN PROPERTY AND NOVEL FEATURES OF THE SUBJECT MATTER ARE EXPRESSLY RESERVED BY REPUBLIC SALES & MFG. ACCEPTANCE OF THE FOREGOING IS INDICATED BY ACCEPTANCE OF THIS DOCUMENT.	MFG		SCALE	REV
	APPROVED		SHEET 1	OF 1
	MATERIAL			
	FINISH			