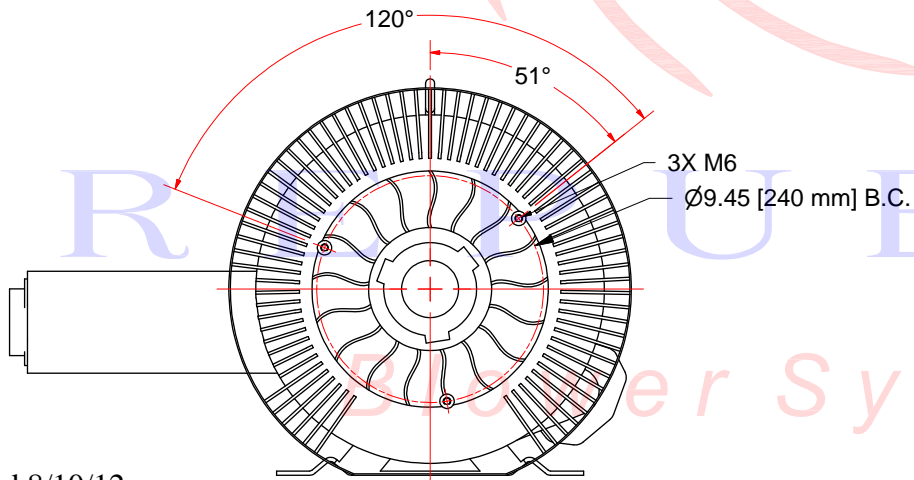
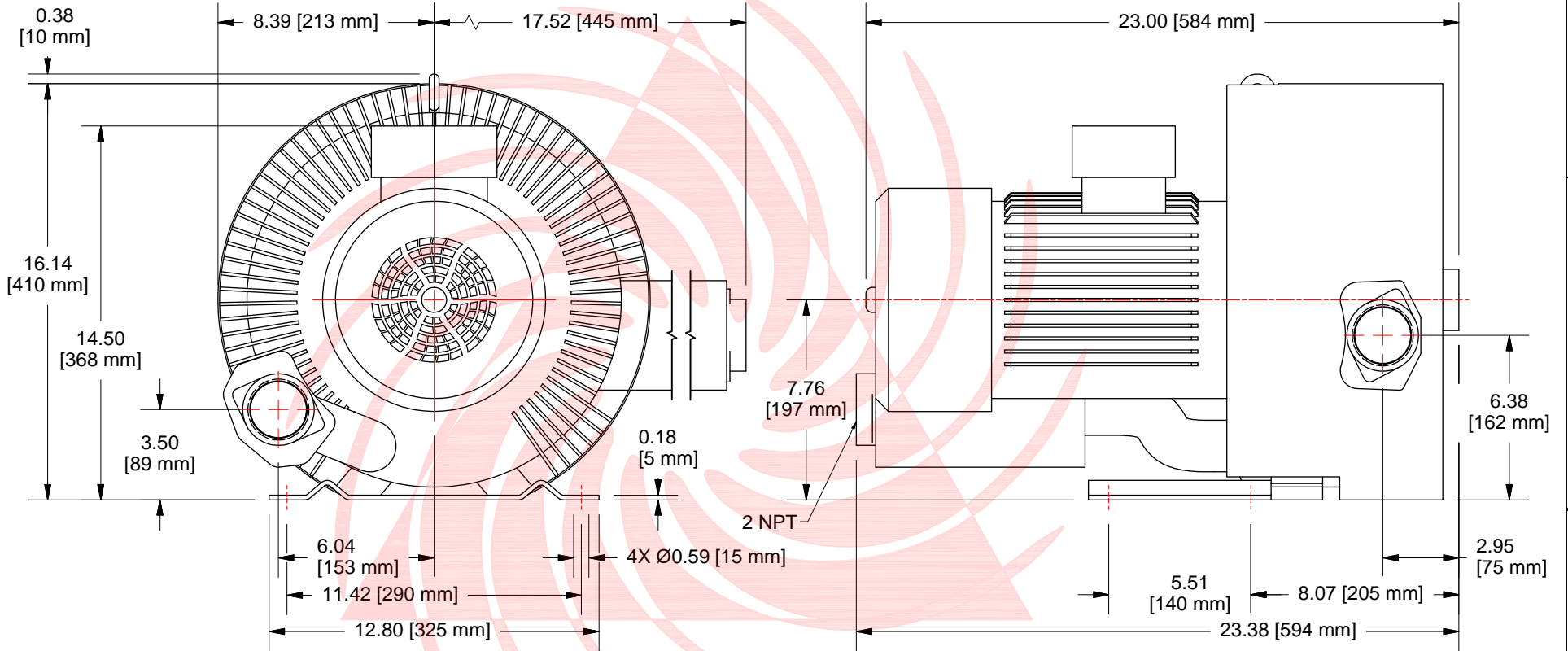


REVISIONS		DATE	REV BY	ZONE
ECR#	REV	DESCR PTIONS		



Updated 8/10/12

UNLESS OTHERWISE SPECIFIED ALL DIMENSIONS ARE IN INCHES		DRAWN R Tandy	2/22/2012	Republic Sales & Mfg. www.republicsales.com	
DECIMALS: XXX = ± .005 XX = ± .010	FRACT ONS: ± 1/32	ANGLES: ± 0° 30'	ROUTING	TITLE	
BREAK ALL SHARP EDGES MACHINE SURFACE FINISH N RMS			QA	Republic Sales Regen Blower	
NOTICE PROPRIETY RIGHTS INVOLVED THIS DOCUMENT AND ALL ACCOMPANYING INFORMATION AND DATA ARE AND REMAIN THE PROPERTY OF REPUBLIC SALES & MFG. AND ARE NOT TO BE COPIED, REPRODUCED, TRANSMITTED OR DISCLOSED TO OTHERS WITHOUT EXPRESS WRITTEN PERMISSION AND ARE TO BE RETURNED UPON REQUEST. THEREFORE, ALL RIGHTS IN PROPRIETY AND NOVEL FEATURES OF THE SUBJECT MATTER ARE EXPRESSLY RESERVED BY REPUBLIC SALES & MFG. RECEIPTS AGREEMENT TO THE FOREGOING IS INDICATED BY ACCEPTANCE OF THIS DOCUMENT.			MFG	SIZE DWG NO C HRB902	
			APPROVED	REV	
			MATERIAL	SCALE	
			FINISH	SHEET 1 OF 1	