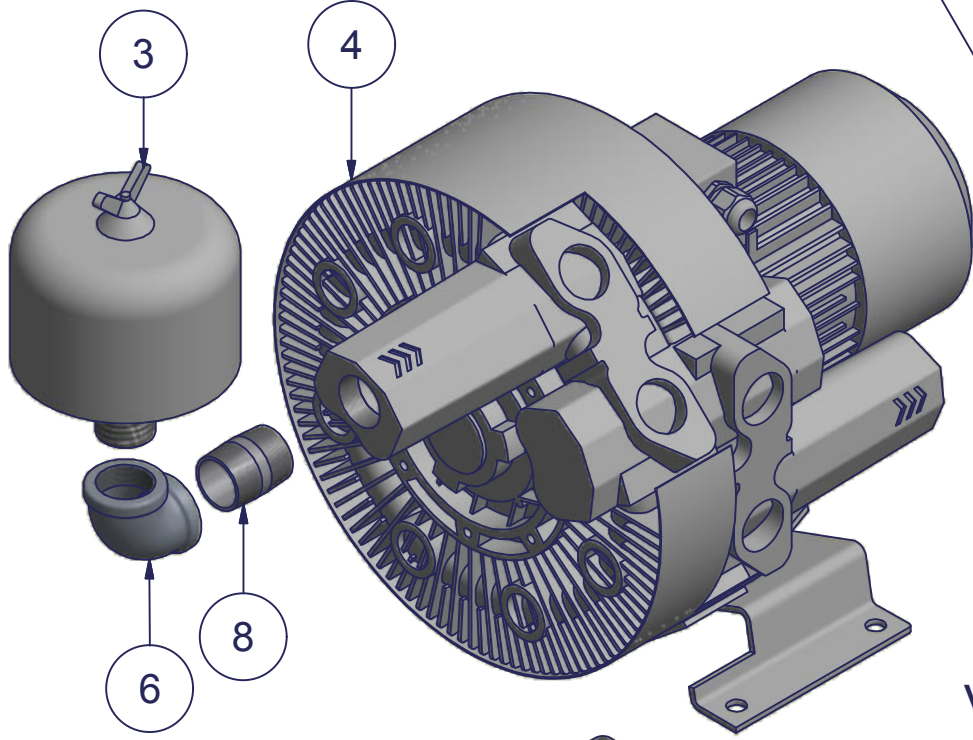


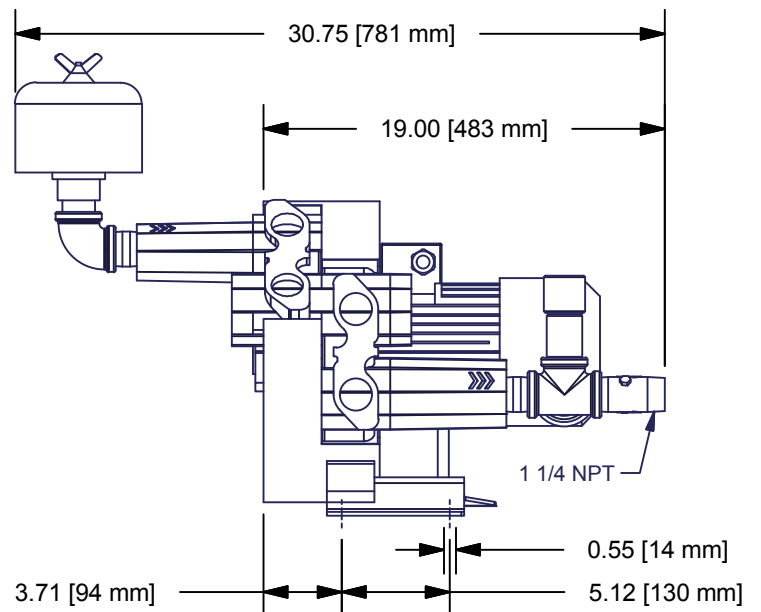
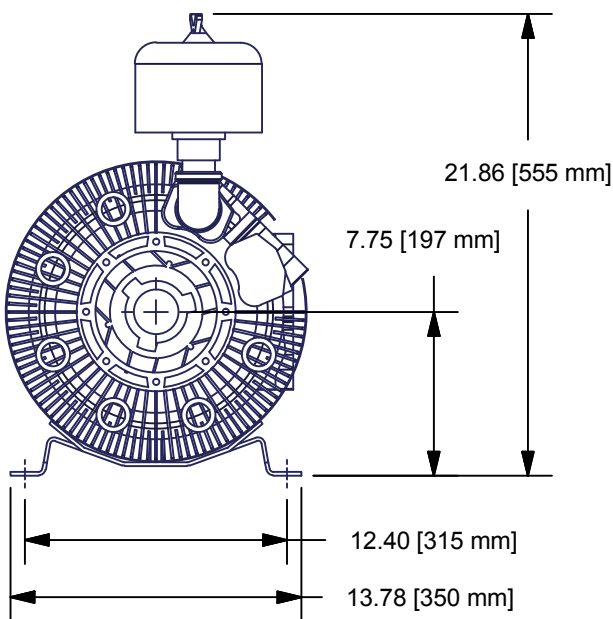
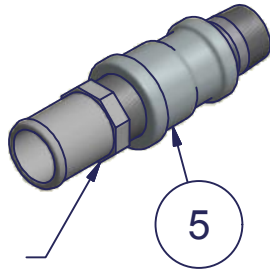
**OPTIONAL ITEM
GAUGE - 910-0519**



**OPTIONAL ITEM
VALVE - 200-0900**

9	910-0519	1	Liquid Filled Gauge (Pressure) Regens
8	910-0136	2	Nipple 1.25 NPT X 2" LG (Black)
7	900-0815	1	Tee 1.25 NPT (Black)
6	900-0660	1	Elbow 1.25 NPT X 90 DEG (Black)
5	900-0010	1	Tube Adapter 1 1/4 NPT - 2" Dia Hose
4	4RB420-H56	1	High Pressure Regen Blower
3	340-2205	1	Filter for Pressure Blower
2	200-0900	1	Valve
1	200-0525	1	1-1/4" Relief Valve
ITEM	PART NUMBER	QTY	DESCRIPTION
Bill of Materials			

**OPTIONAL ITEMS
ADAPTER - 900-0010**



KP4RB420-H56 - Pressure Kit Drawing