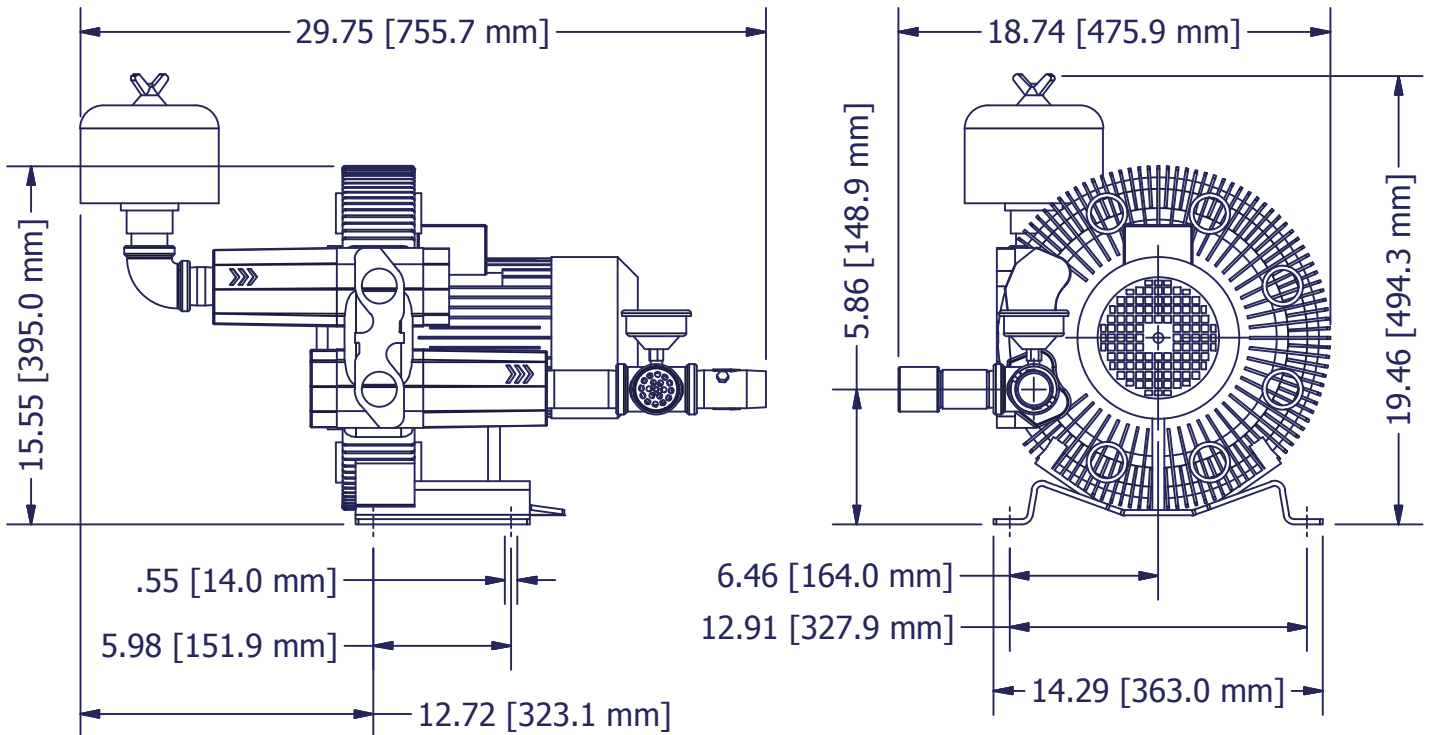


10	910-0519	1	Gauge, Liquid Filled (Pressure)
9	910-0390	1	Nipple 1.25 NPT X 4" LG (Black)
8	910-0136	1	Nipple 1 1/4 NPT X 2" LG (Blk)
7	900-0815	1	Tee, 1 1/4 NPT (Blk)
6	900-0660	1	Elbow, 1 1/4 NPT X 90 (Blk)
5	900-0010	1	Adapter, 1 1/4 NPT - 2" Dia Hose
4	4RB510-H16	1	High Pressure Regen Blower
3	340-2205	1	Filter for Pressure Blower
2	200-0900	1	Valve, Check 1 1/4 NPT
1	200-0525	1	Valve, Relief 1 1/4 NPT
ITEM	PART NUMBER	QTY	DESCRIPTION
Bill of Materials			



KP4RB510-H16 - Pressure Kit Drawing