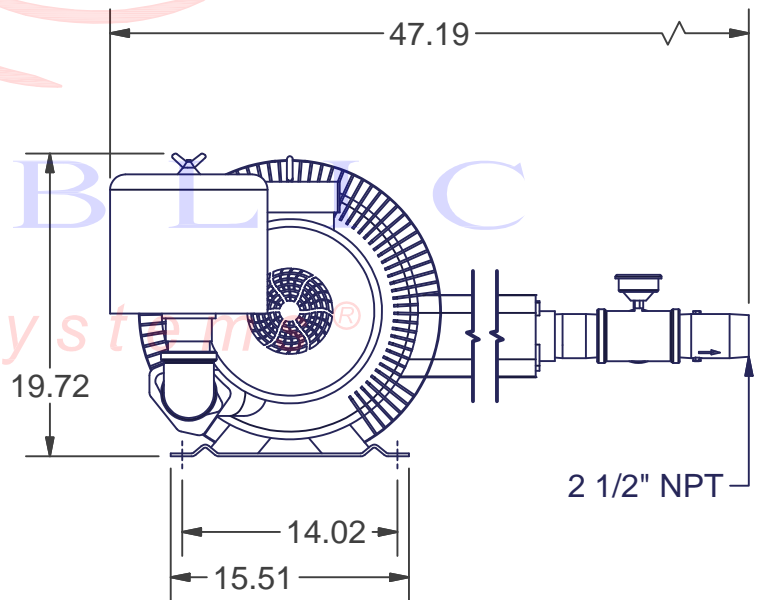
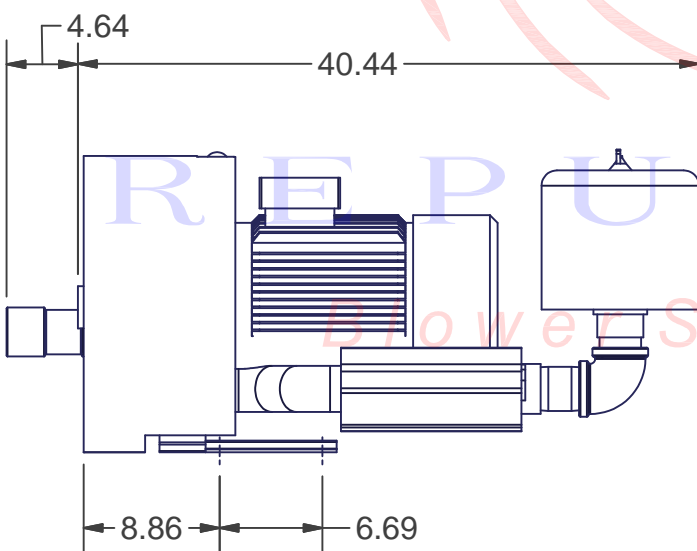


**OPTIONAL ITEM
GAUGE - 910-0519**

**OPTIONAL ITEM
VALVE - 200-0930**

9	HRB1102	1	Republic Sales Regen Blower
8	910-0519	1	Liquid Filled Gauge (Pressure) Regens
7	910-0206	1	Elbow 2.50 NPT X 90 DEG (Black)
6	900-0584	1	Tee 2.5 NPT (Black)
5	900-0231	2	Nipple 2.50 NPT X 4" LG (Black)
4	900-0004	1	Adapter 2-1/2" NPT x 3" OD
3	340-2220	1	Filter for Pressure Blower
2	200-0930	1	Valve
1	200-0518	1	2-1/2" Relief Valve
ITEM	PART NUMBER	QTY	DESCRIPTION
Bill of Materials			



Approx Weight _____

Kit Pressure Pump 2 1/2" NPT

KPHRB1102