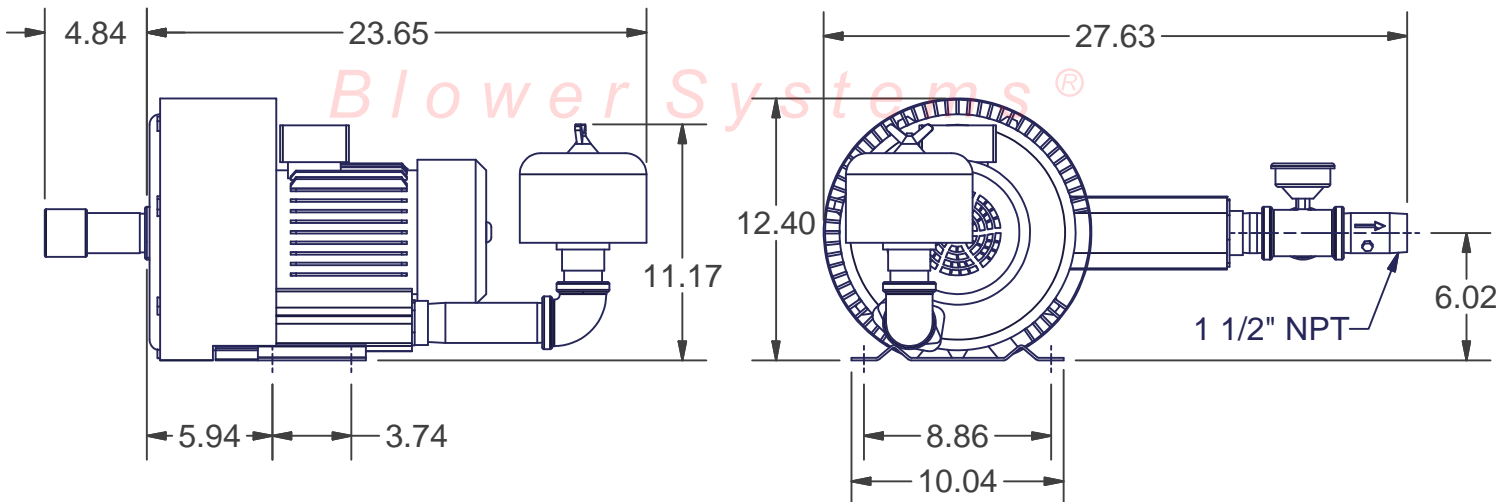


| | | | |
|-------------------|-------------|-----|---------------------------------------|
| 10 | HRB402 | 1 | Republic Sales Regen Blower |
| 9 | 910-0519 | 1 | Liquid Filled Gauge (Pressure) Regens |
| 8 | 900-0910 | 1 | Nipple 1.50 NPT X 6" LG (Black) |
| 7 | 900-0818 | 1 | Tee 1.50 NPT (Black) |
| 6 | 900-0124 | 1 | Nipple 1.50 NPT x 2.0" LG (Black) |
| 5 | 900-0003 | 1 | Adapter 1-1/2" NPT x 2" OD |
| 4 | 340-2210 | 1 | Filter for Pressure Blower |
| 3 | 330-1305 | 1 | Elbow 1.50 NPT X 90 DEG (Black) |
| 2 | 200-0910 | 1 | Valve |
| 1 | 200-0510 | 1 | 1-1/2" Vacuum Relief Valve |
| ITEM | PART NUMBER | QTY | DESCRIPTION |
| Bill of Materials | | | |

REPUBLIC

Blower Systems®



Approx Weight _____

| | |
|------------------------------|----------|
| Kit Pressure Pump 1 1/2" NPT | KPHRB402 |
|------------------------------|----------|