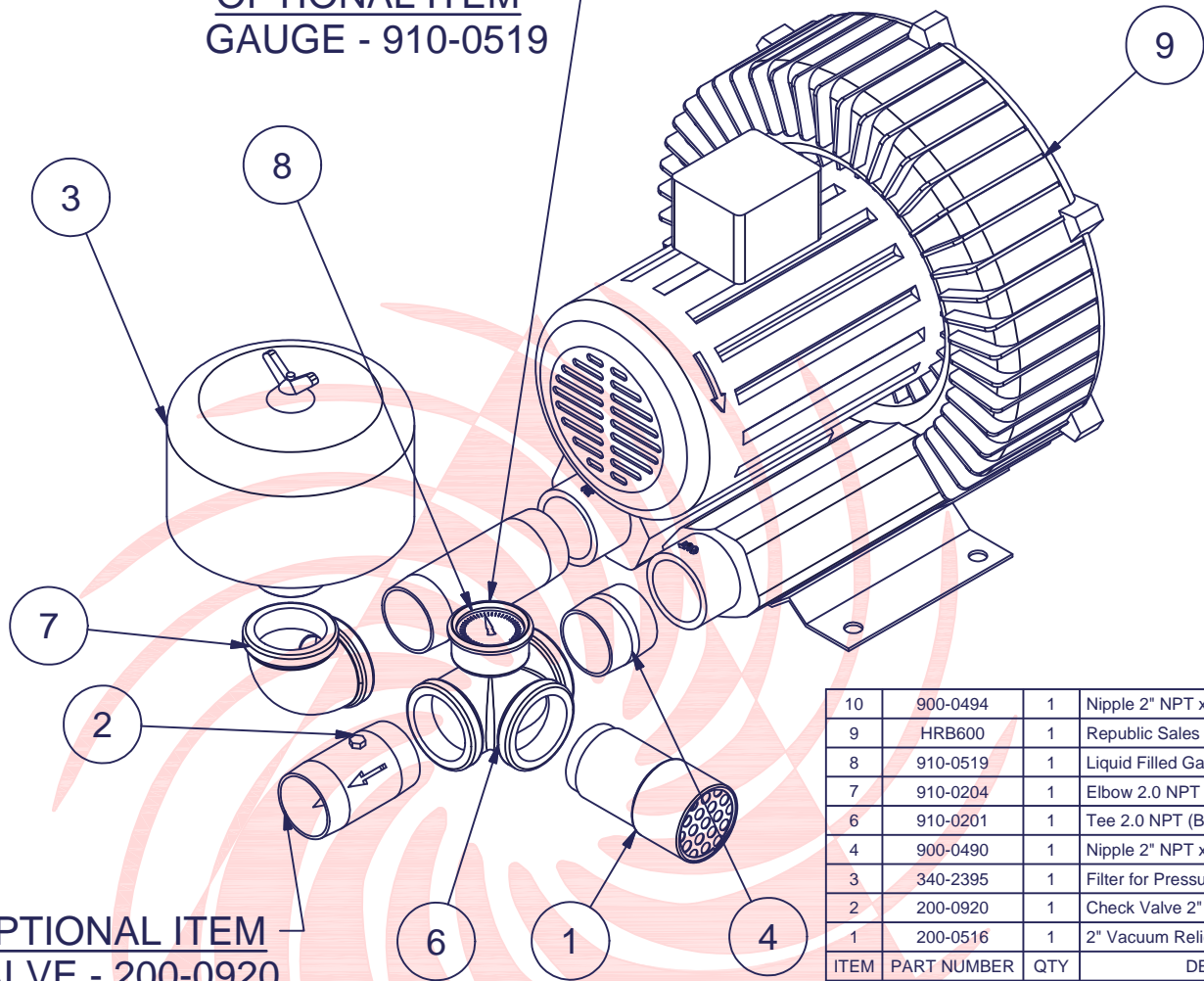


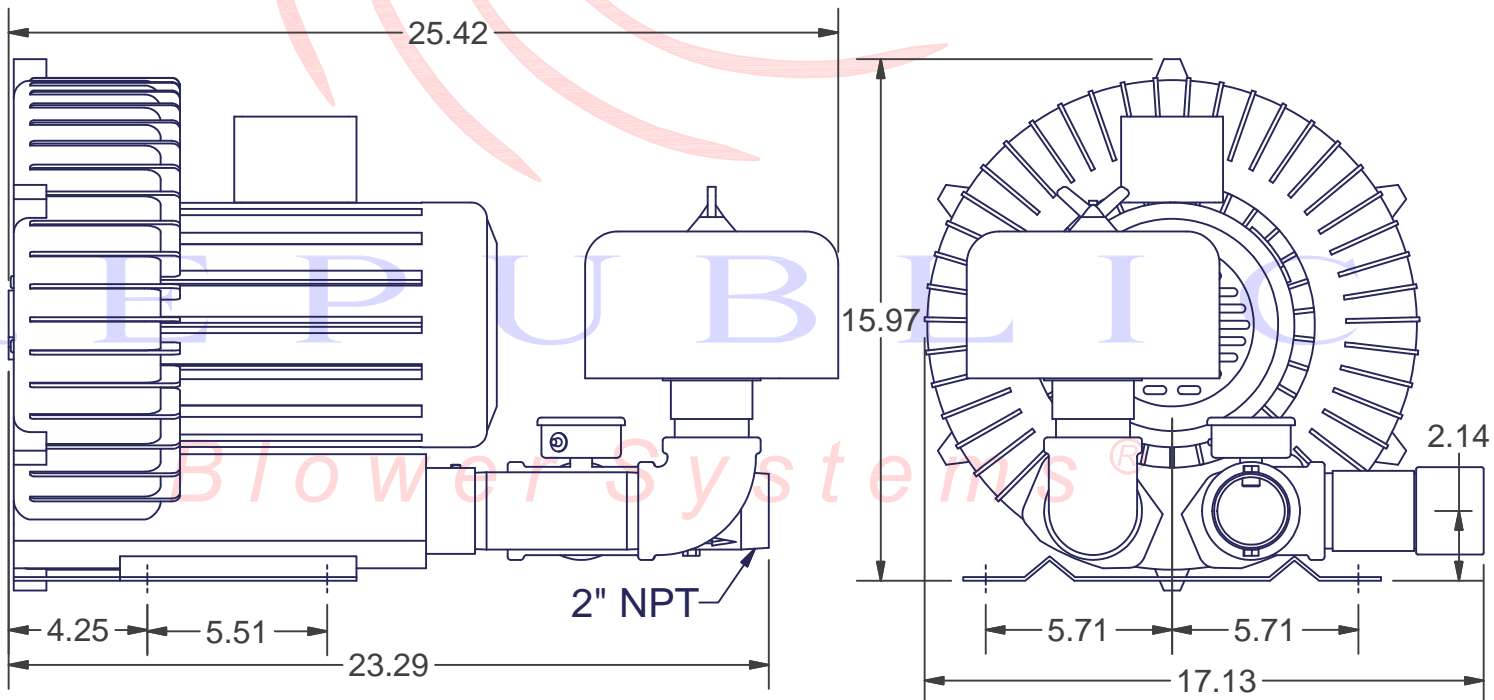
**OPTIONAL ITEM  
GAUGE - 910-0519**



**OPTIONAL ITEM  
VALVE - 200-0920**

10	900-0494	1	Nipple 2" NPT x 6" Lg.
9	HRB600	1	Republic Sales Regen Blower
8	910-0519	1	Liquid Filled Gauge
7	910-0204	1	Elbow 2.0 NPT X 90 DEG (Black)
6	910-0201	1	Tee 2.0 NPT (Black)
4	900-0490	1	Nipple 2" NPT x 2" LG (Black)
3	340-2395	1	Filter for Pressure Blower F-30P-200
2	200-0920	1	Check Valve 2" w/silicone seal
1	200-0516	1	2" Vacuum Relief Valve
ITEM	PART NUMBER	QTY	DESCRIPTION

Bill of Materials



Approx Weight \_\_\_\_\_

Kit Pressure 2" NPT

KPHRB600