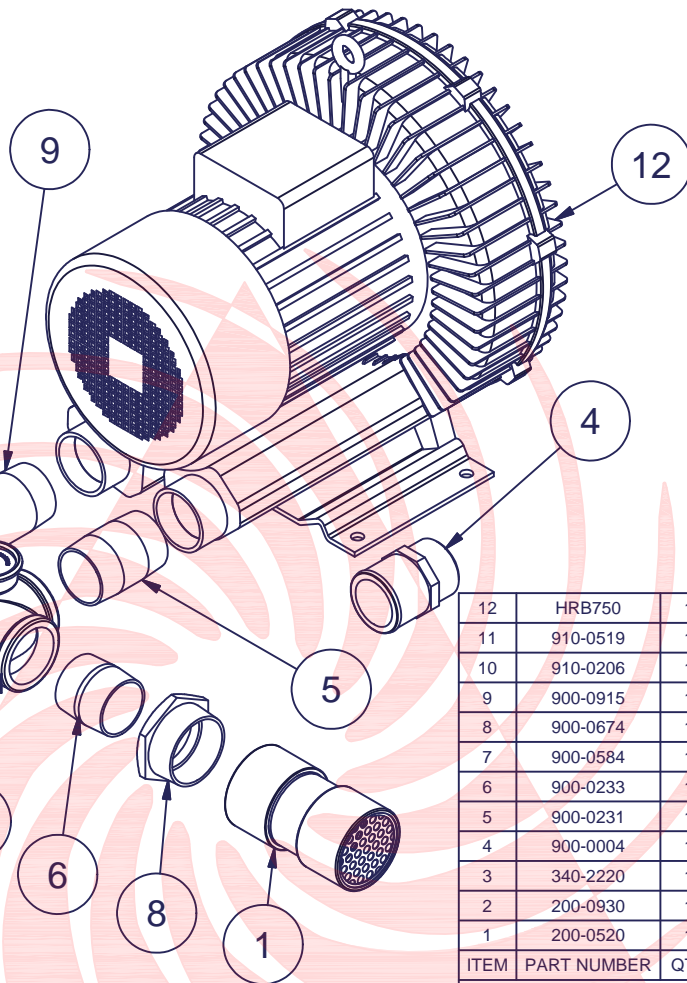
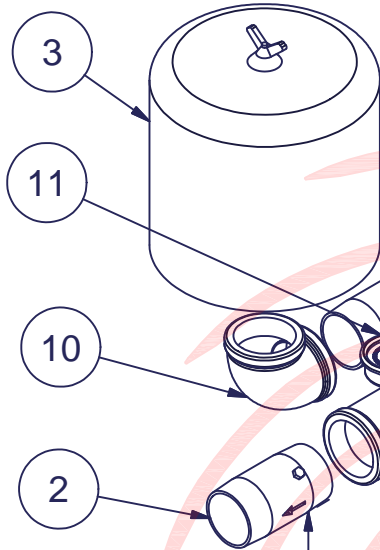




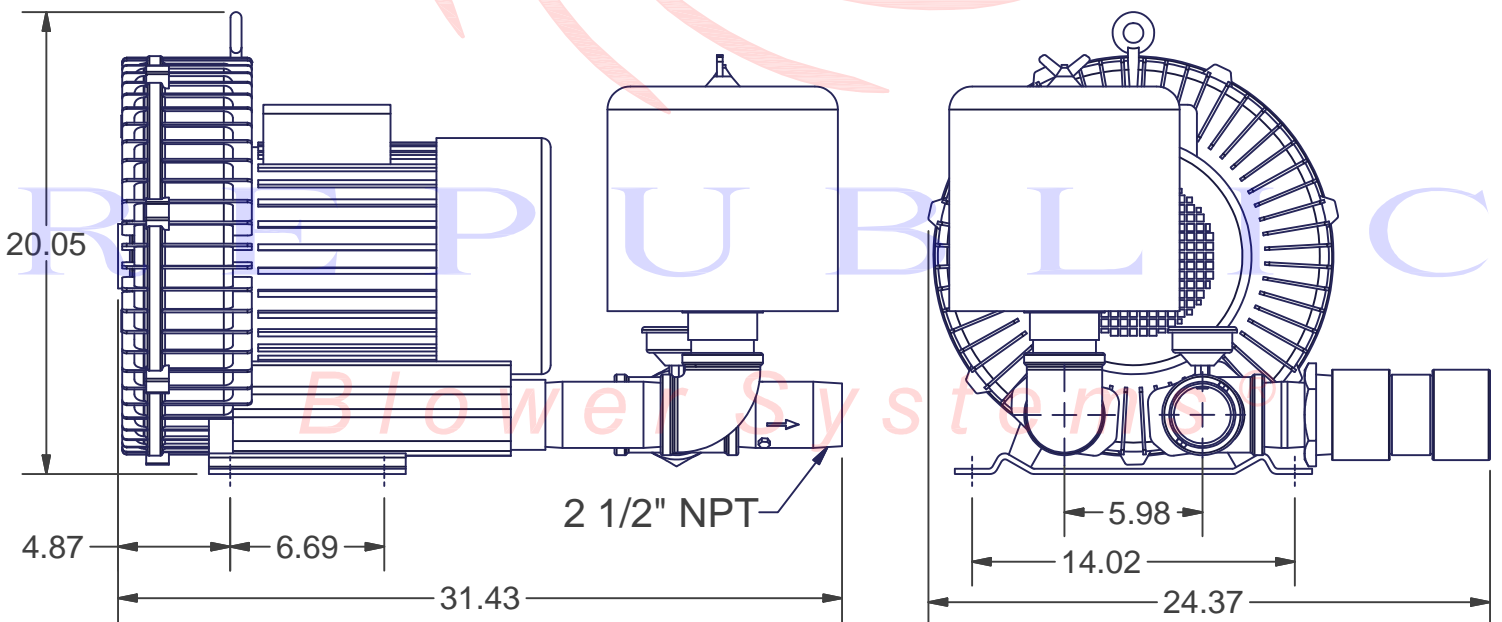
REPUBLIC
Blower Systems®

**OPTIONAL ITEM
GAUGE - 910-0519**



**OPTIONAL ITEM
VALVE - 200-0930**

12	HRB750	1	Republic Sales Regen Blower
11	910-0519	1	Liquid Filled Gauge (Pressure) Regens
10	910-0206	1	Elbow 2.50 NPT X 90 DEG (Black)
9	900-0915	1	Nipple 2 50 NPT X 6" LG (Black)
8	900-0674	1	Bushing Hex, 3.0 X 2 1/2
7	900-0584	1	Tee 2.5 NPT (Black)
6	900-0233	1	Nipple 2 50 NPT X Close (Black)
5	900-0231	1	Nipple 2 50 NPT X 4" LG (Black)
4	900-0004	1	Adapter 2-1/2" NPT x 3" OD
3	340-2220	1	Inlet Air Filter
2	200-0930	1	Valve
1	200-0520	1	3" Relief Valve
ITEM	PART NUMBER	QTY	DESCRIPTION
Bill of Materials			



Approx Weight _____

Kit Pressure Pump 2 1/2" NPT	KPHRB750
------------------------------	----------