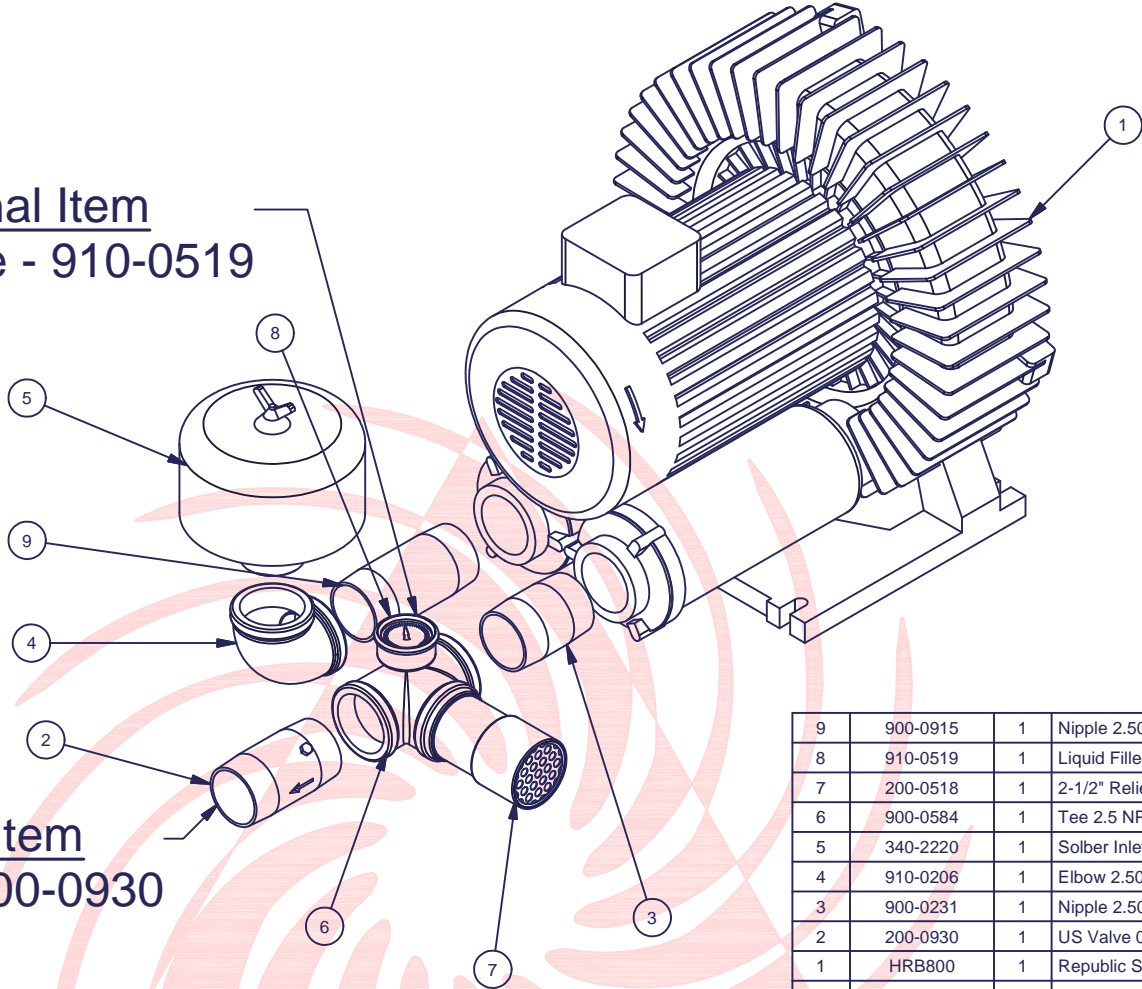
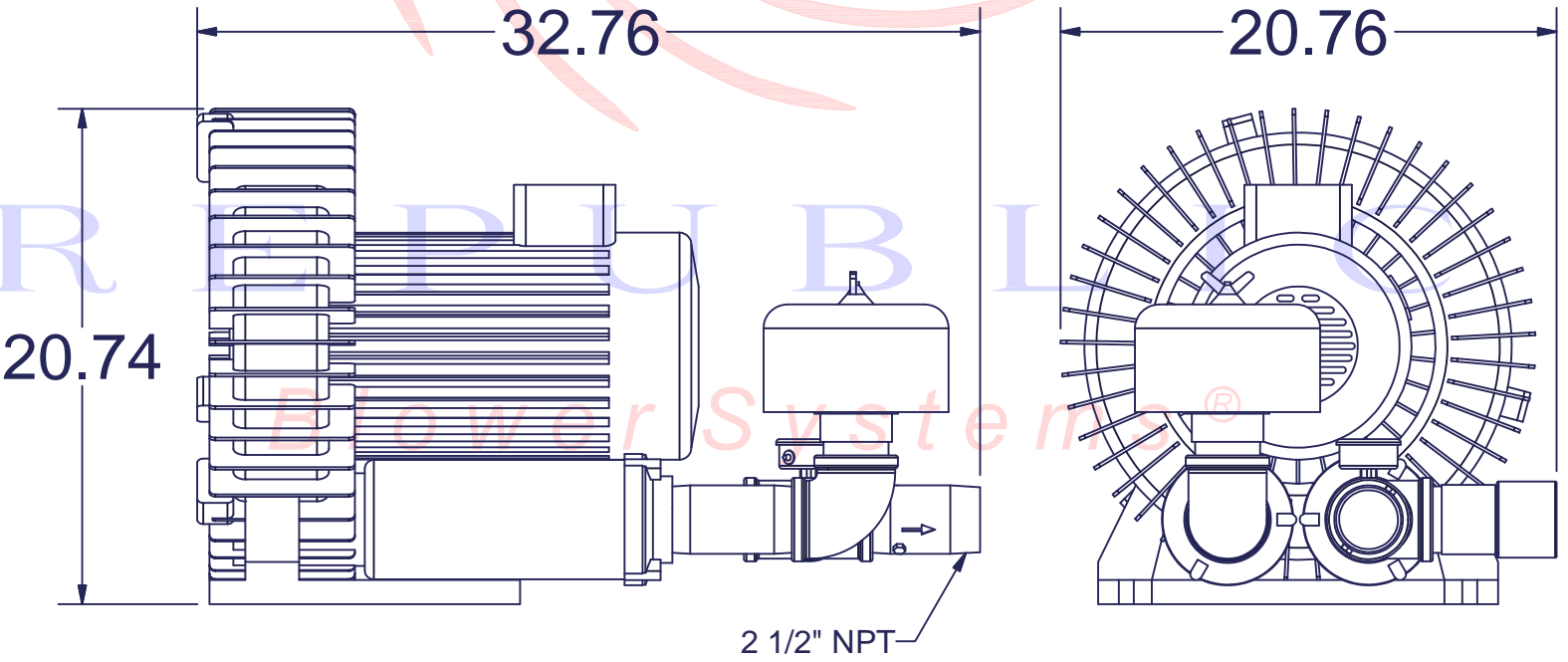


Optional Item  
Gauge - 910-0519



Optional Item  
Valve - 200-0930

9	900-0915	1	Nipple 2.50 NPT X 6" LG (Black)
8	910-0519	1	Liquid Filled Gauge
7	200-0518	1	2-1/2" Relief Valve
6	900-0584	1	Tee 2.5 NPT (Black)
5	340-2220	1	Solber Inlet Air Filter F-230P-250
4	910-0206	1	Elbow 2.50 NPT X 90 DEG (Black)
3	900-0231	1	Nipple 2.50 NPT X 4" LG (Black)
2	200-0930	1	US Valve 07-1-O-2.5
1	HRB800	1	Republic Sales Regen Blower
ITEM	PART NUMBER	QTY	DESCRIPTION
Bill of Materials			



Kit Pressure Pump 2 1/2" NPT	KPHRB800
------------------------------	----------