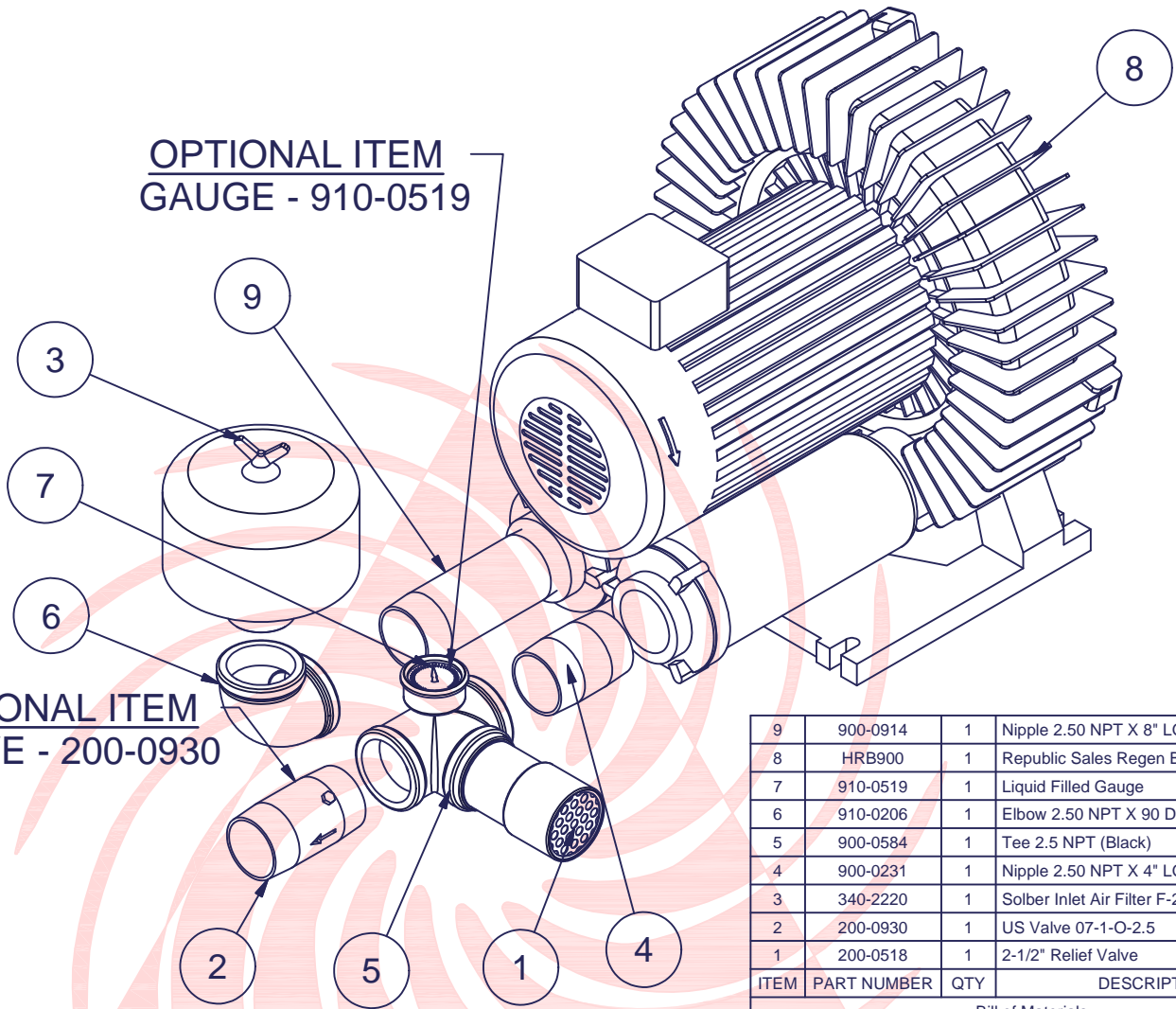


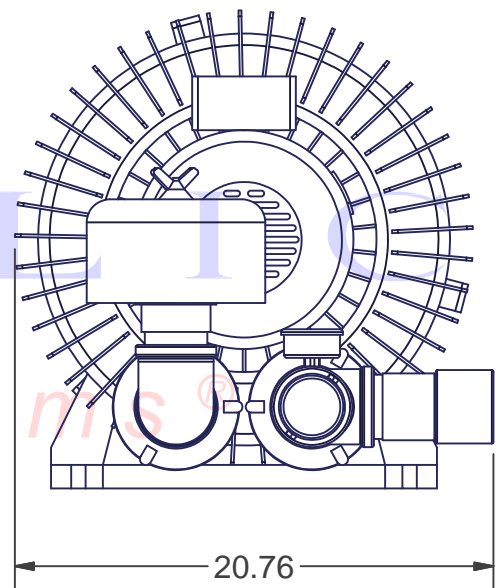
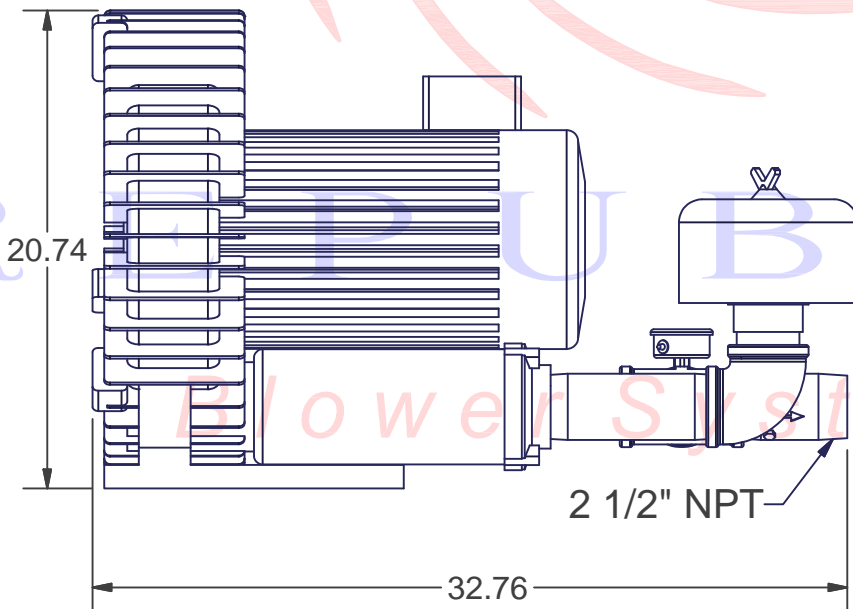
**OPTIONAL ITEM  
GAUGE - 910-0519**

**OPTIONAL ITEM  
VALVE - 200-0930**



9	900-0914	1	Nipple 2.50 NPT X 8" LG (Black)
8	HRB900	1	Republic Sales Regen Blower
7	910-0519	1	Liquid Filled Gauge
6	910-0206	1	Elbow 2.50 NPT X 90 DEG (Black)
5	900-0584	1	Tee 2.5 NPT (Black)
4	900-0231	1	Nipple 2.50 NPT X 4" LG (Black)
3	340-2220	1	Solber Inlet Air Filter F-230P-250
2	200-0930	1	US Valve 07-1-O-2.5
1	200-0518	1	2-1/2" Relief Valve
ITEM	PART NUMBER	QTY	DESCRIPTION

Bill of Materials



Approx Weight \_\_\_\_\_

Kit Pressure Pump 2 1/2" NPT

KPHRB900