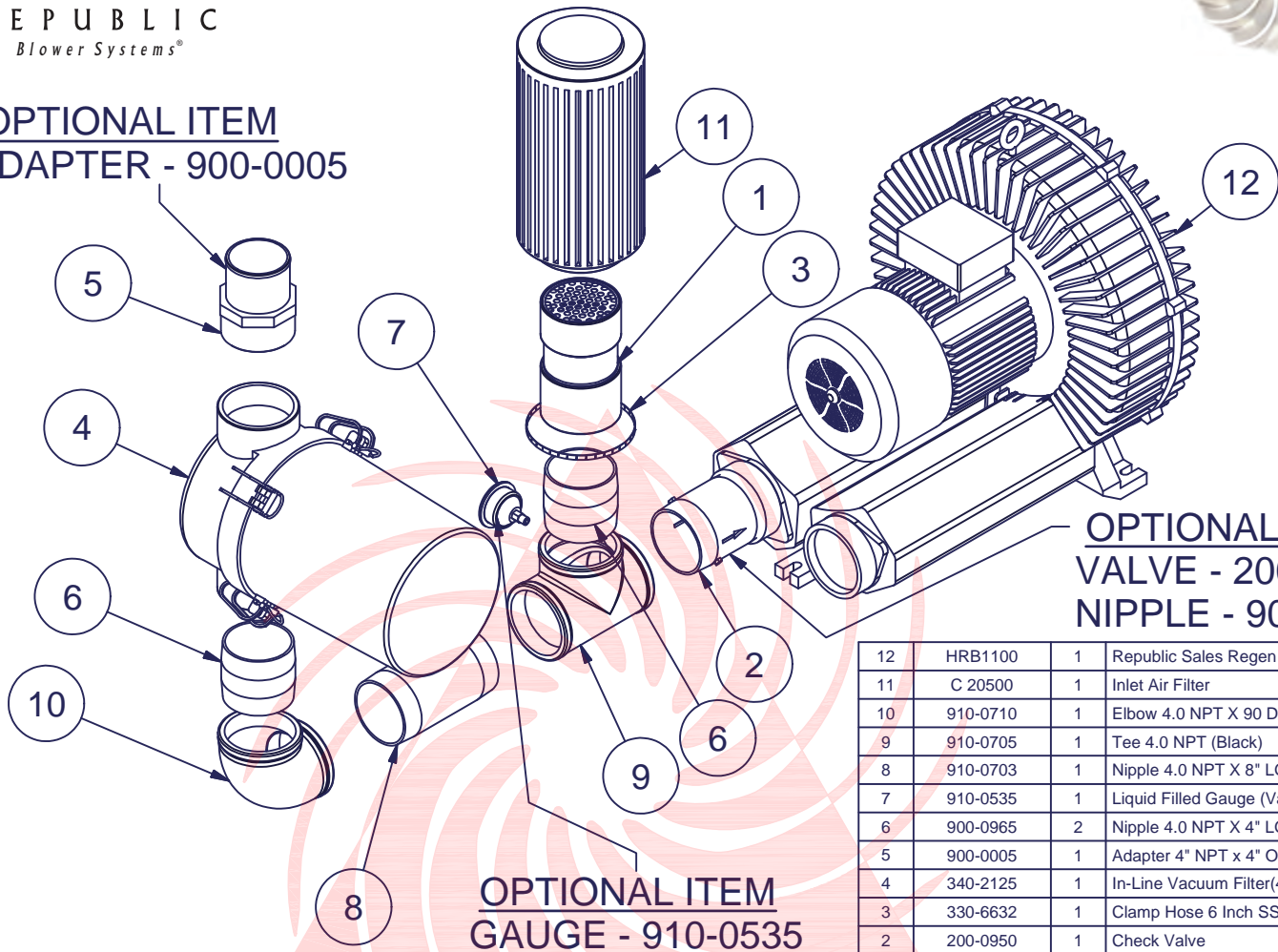




REPUBLIC  
Blower Systems®

OPTIONAL ITEM  
ADAPTER - 900-0005

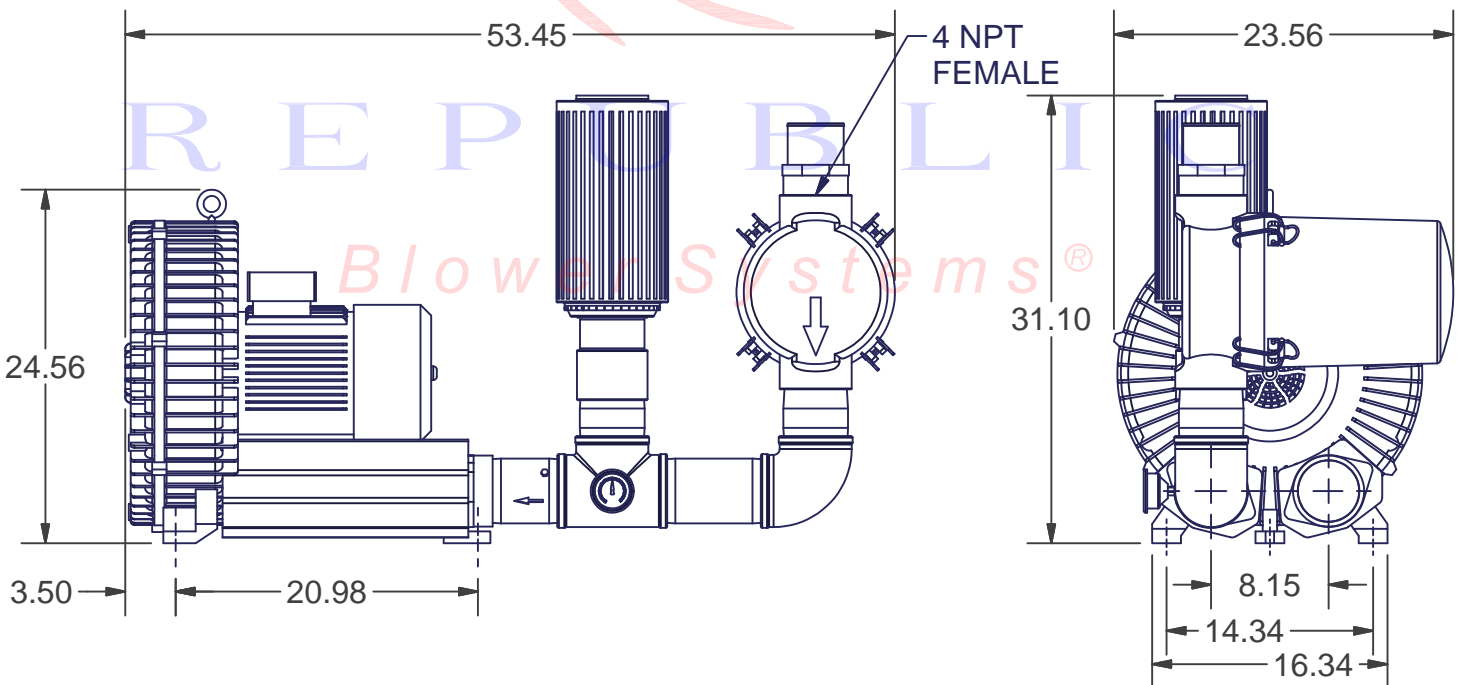


OPTIONAL ITEM  
VALVE - 200-0950  
NIPPLE - 900-0965

OPTIONAL ITEM  
GAUGE - 910-0535

12	HRB1100	1	Republic Sales Regen Blower
11	C 20500	1	Inlet Air Filter
10	910-0710	1	Elbow 4.0 NPT X 90 DEG (Black)
9	910-0705	1	Tee 4.0 NPT (Black)
8	910-0703	1	Nipple 4.0 NPT X 8" LG (Black)
7	910-0535	1	Liquid Filled Gauge (Vacuum) Regens
6	900-0965	2	Nipple 4.0 NPT X 4" LG (Black)
5	900-0005	1	Adapter 4" NPT x 4" OD
4	340-2125	1	In-Line Vacuum Filter(4")
3	330-6632	1	Clamp Hose 6 Inch SS
2	200-0950	1	Check Valve
1	200-0527	1	4" Relief Valve
ITEM	PART NUMBER	QTY	DESCRIPTION

Bill of Materials



Updated 8/10/12

Kit Vacuum Pump 4" NPT

KVHRB1100