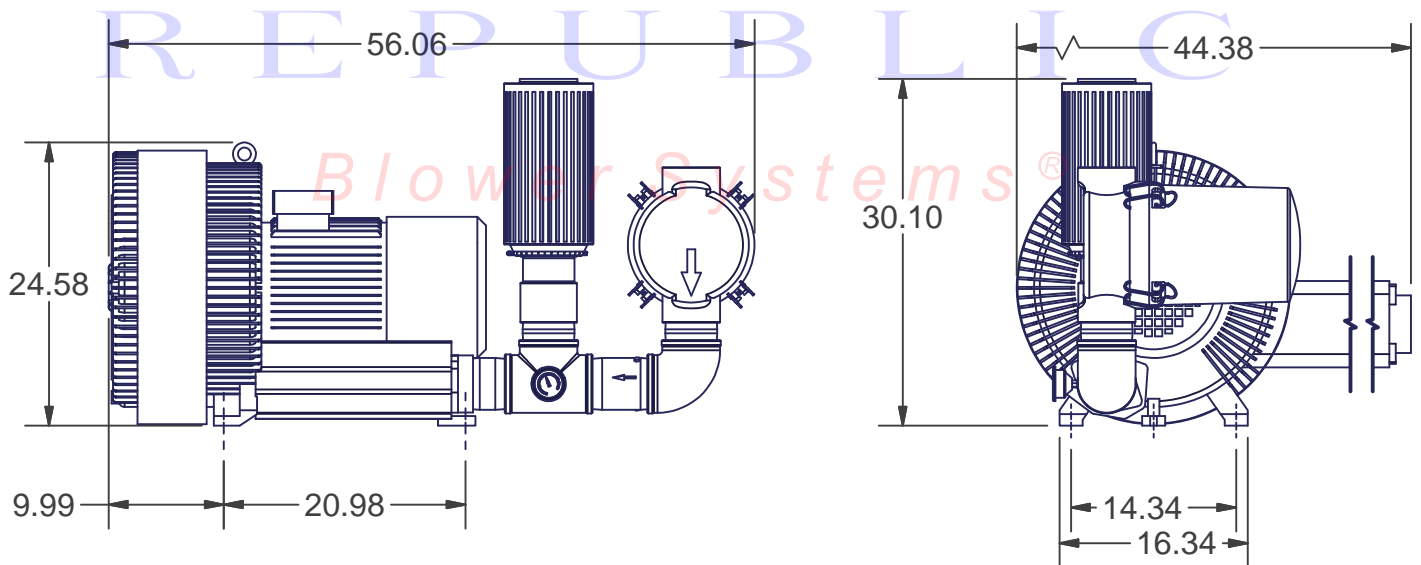
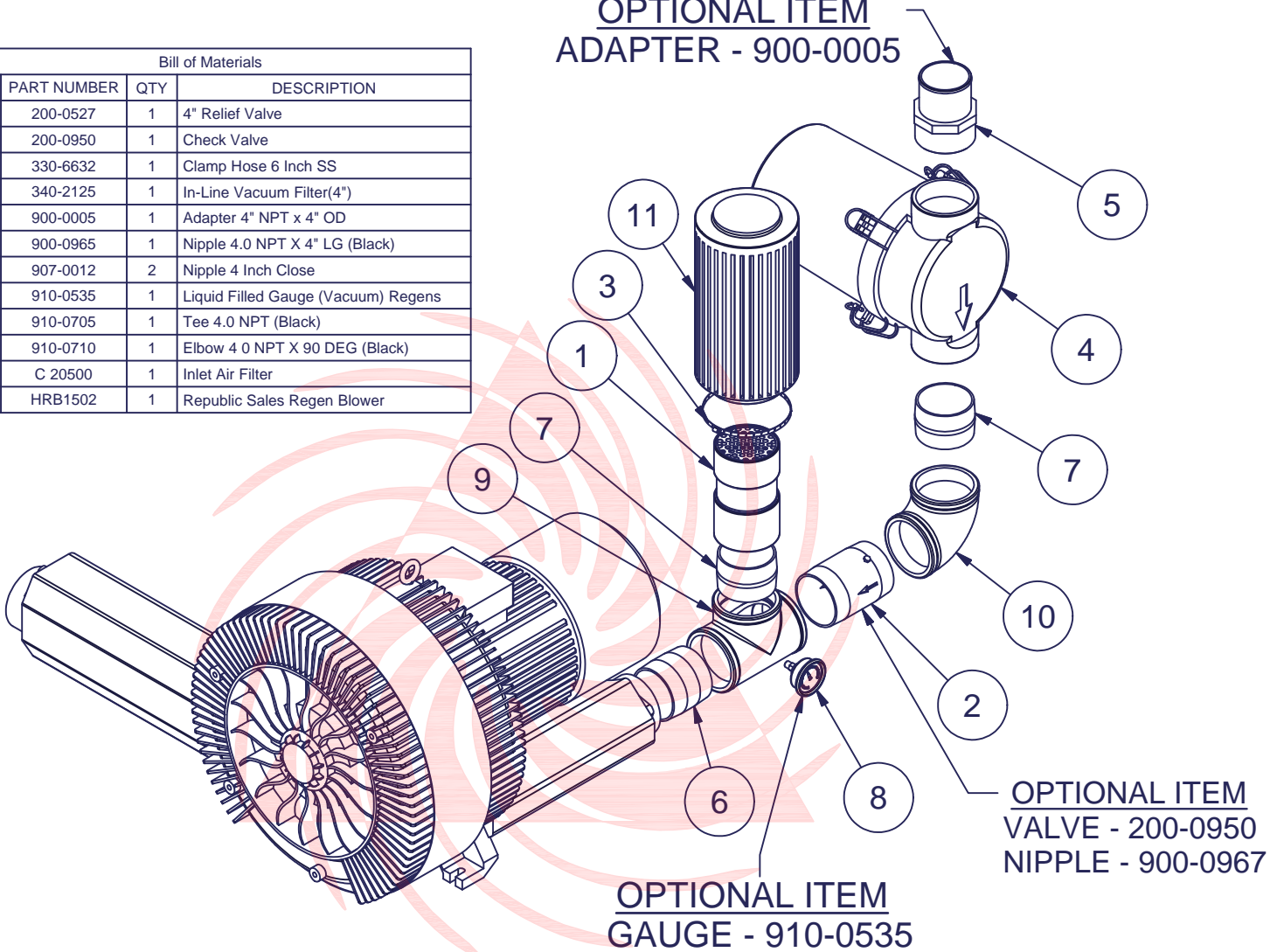




REPUBLIC  
Blower Systems®

**OPTIONAL ITEM  
ADAPTER - 900-0005**

Bill of Materials			
ITEM	PART NUMBER	QTY	DESCRIPTION
1	200-0527	1	4" Relief Valve
2	200-0950	1	Check Valve
3	330-6632	1	Clamp Hose 6 Inch SS
4	340-2125	1	In-Line Vacuum Filter(4")
5	900-0005	1	Adapter 4" NPT x 4" OD
6	900-0965	1	Nipple 4.0 NPT X 4" LG (Black)
7	907-0012	2	Nipple 4 Inch Close
8	910-0535	1	Liquid Filled Gauge (Vacuum) Regens
9	910-0705	1	Tee 4.0 NPT (Black)
10	910-0710	1	Elbow 4 0 NPT X 90 DEG (Black)
11	C 20500	1	Inlet Air Filter
12	HRB1502	1	Republic Sales Regen Blower



Updated 8/27/12

Kit Vacuum Pump 4" NPT	KVHRB1502
------------------------	-----------