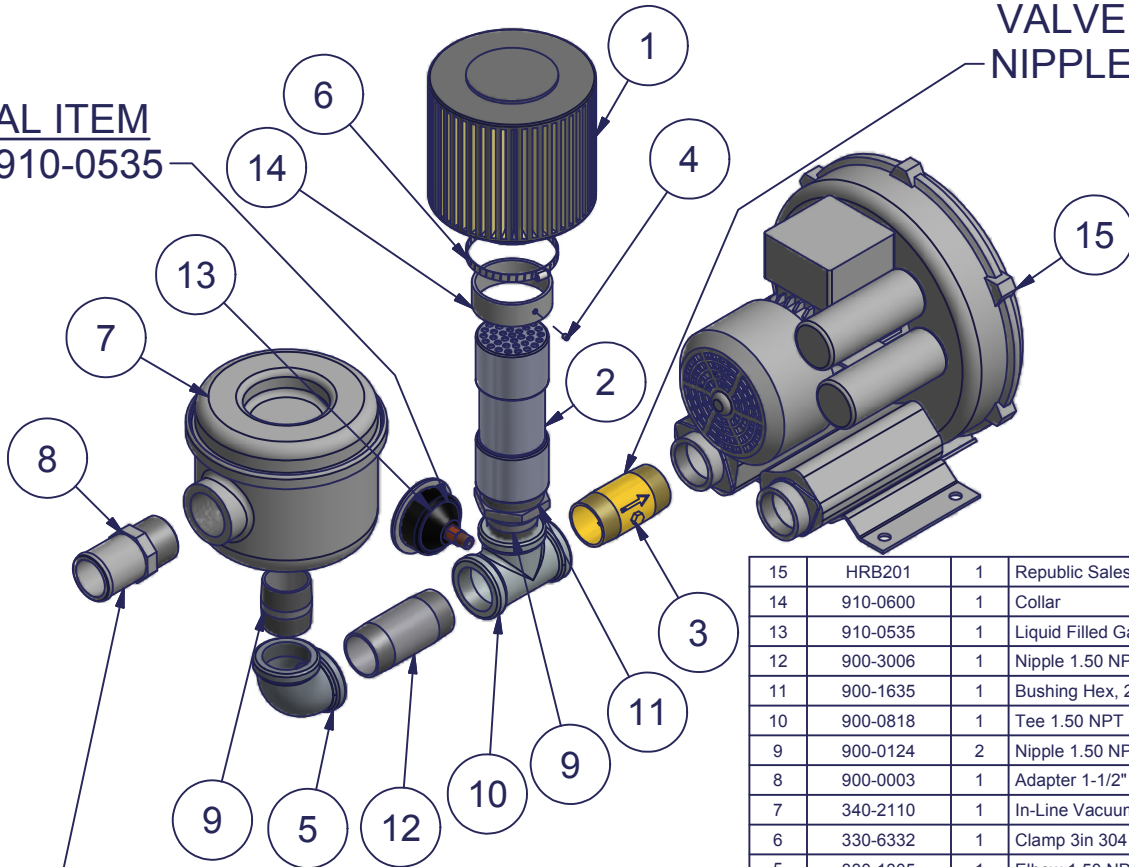


OPTIONAL ITEM
GAUGE - 910-0535

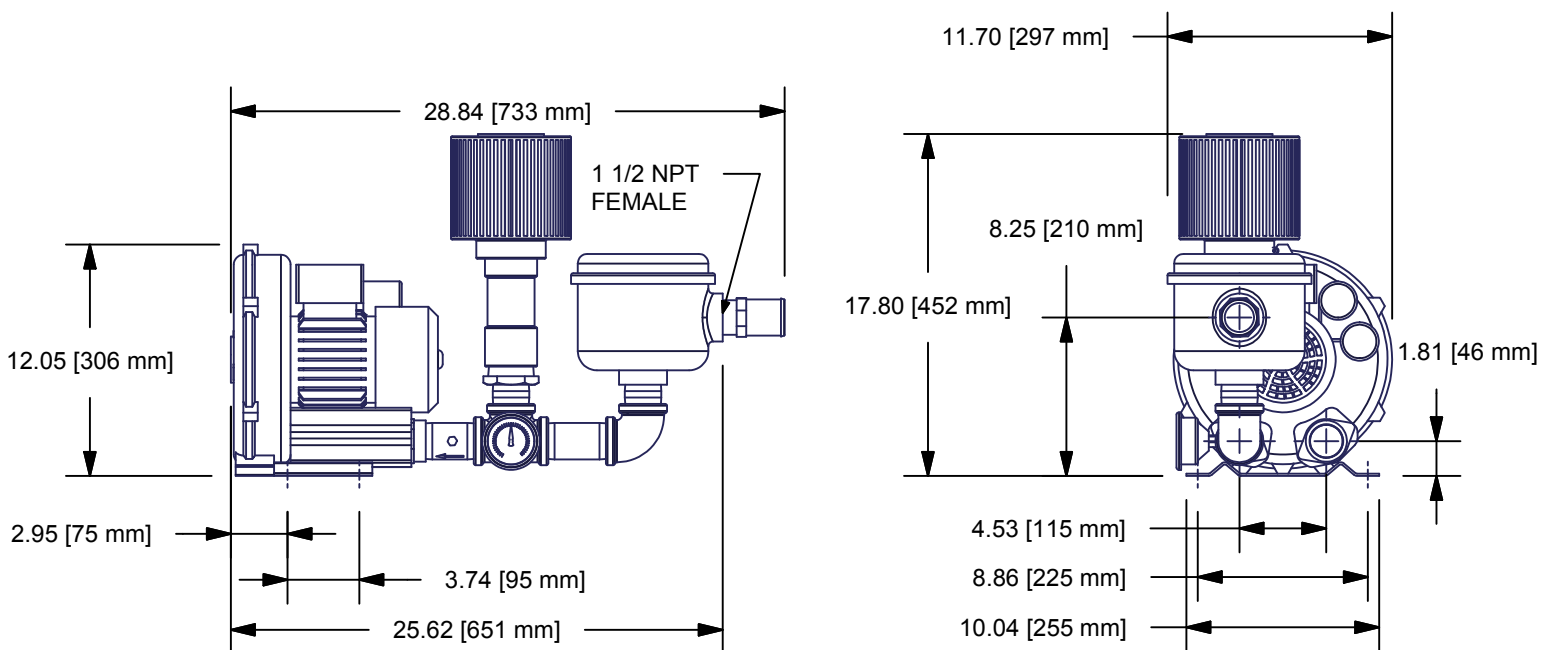
OPTIONAL ITEM
VALVE - 200-0910
NIPPLE - 900-0130



OPTIONAL ITEMS
ADAPTER - 900-0003

15	HRB201	1	Republic Sales Regen Blower
14	910-0600	1	Collar
13	910-0535	1	Liquid Filled Gauge (Vacuum) Regens
12	900-3006	1	Nipple 1.50 NPT X 4" LG (Black)
11	900-1635	1	Bushing Hex, 2 X 1 1/2 (Black)
10	900-0818	1	Tee 1.50 NPT (Black)
9	900-0124	2	Nipple 1.50 NPT x 2.0" LG (Black)
8	900-0003	1	Adapter 1-1/2" NPT x 2" OD
7	340-2110	1	In-Line Vacuum Filter (1.5")
6	330-6332	1	Clamp 3in 304 SS Worm Gear
5	330-1305	1	Elbow 1.50 NPT X 90 DEG (Black)
4	210-1008	1	Screw Set 1/4-20 X 3/16
3	200-0910	1	Valve
2	200-0516	1	2" Vacuum Relief Valve
1	C 17100	1	Inlet Air Filter
ITEM	PART NUMBER	QTY	DESCRIPTION

Bill of Materials



KVHRB201 - Vacuum Kit Drawing