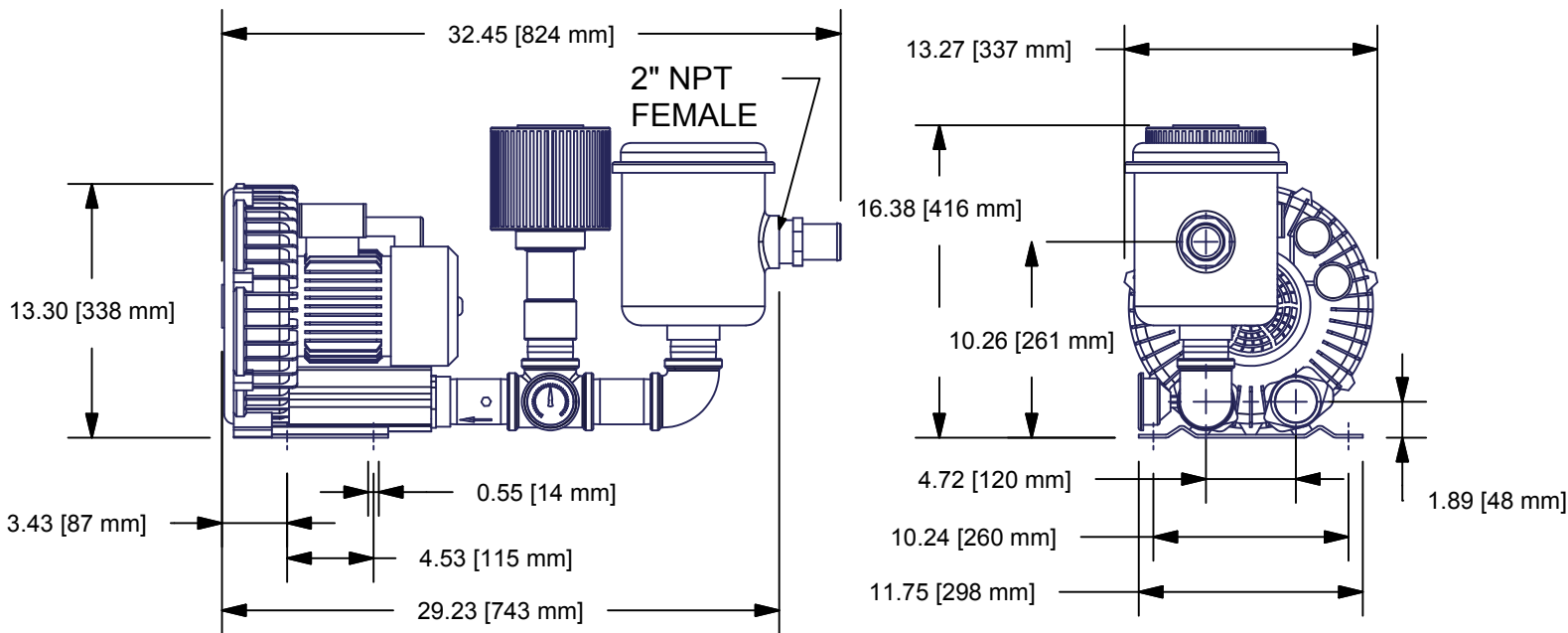


| 14 | HRB301 | 1 | Republic Sales Regen Blower |
|------|-------------|-----|-------------------------------------|
| 13 | 910-0600 | 1 | Collar |
| 12 | 910-0535 | 1 | Liquid Filled Gauge (Vacuum) Regens |
| 11 | 910-0204 | 1 | Elbow 2.0 NPT X 90 DEG (Black) |
| 10 | 910-0201 | 1 | Tee 2.0 NPT (Black) |
| 9 | 910-0130 | 1 | Nipple 2.0 NPT X 4" LG (Black) |
| 8 | 900-0490 | 2 | Nipple 2" NPT x 2" LG (Black) |
| 7 | 900-0006 | 1 | Adapter 2" NPT x 2" OD |
| 6 | 340-2115 | 1 | In-Line Vacuum Filter (2.0") |
| 5 | 330-6332 | 1 | Clamp 3in 304 SS Worm Gear |
| 4 | 210-1008 | 1 | Screw Set 1/4-20 X 3/16 |
| 3 | 200-0920 | 1 | Valve |
| 2 | 200-0516 | 1 | 2" Vacuum Relief Valve |
| 1 | C 17100 | 1 | Inlet Air Filter |
| ITEM | PART NUMBER | QTY | DESCRIPTION |

Bill of Materials



KVHRB301 - Vacuum Kit Drawing