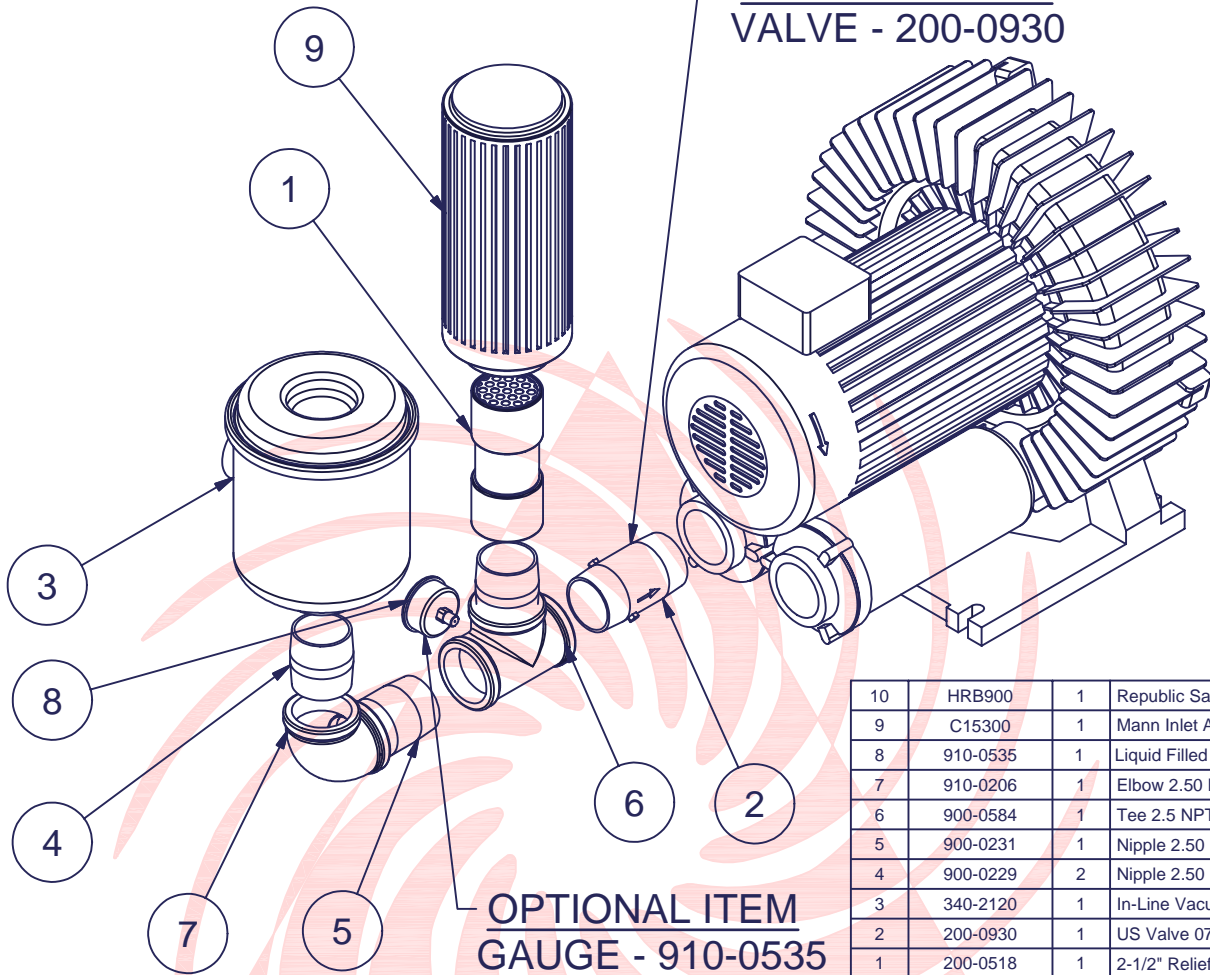
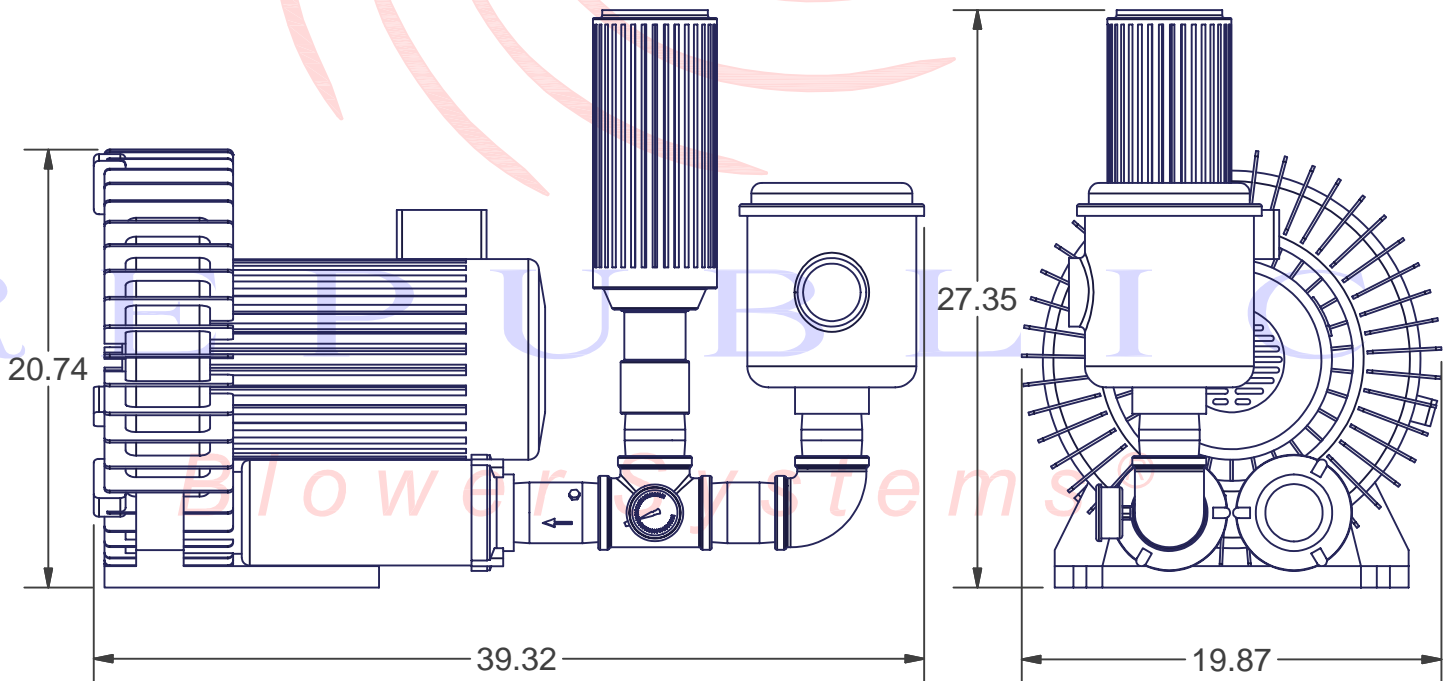


OPTIONAL ITEM
VALVE - 200-0930



OPTIONAL ITEM
GAUGE - 910-0535

10	HRB900	1	Republic Sales Regen Blower
9	C15300	1	Mann Inlet Air Filter
8	910-0535	1	Liquid Filled Gauge
7	910-0206	1	Elbow 2.50 NPT X 90 DEG (Black)
6	900-0584	1	Tee 2.5 NPT (Black)
5	900-0231	1	Nipple 2.50 NPT X 4" LG (Black)
4	900-0229	2	Nipple 2.50 NPT X 3" LG (Black)
3	340-2120	1	In-Line Vacuum Filter (2.5") CSL-848-250HC
2	200-0930	1	US Valve 07-1-O-2.5
1	200-0518	1	2-1/2" Relief Valve
ITEM	PART NUMBER	QTY	DESCRIPTION
Bill of Materials			



Kit Vacuum Pump 2 1/2" NPT

KVHRB900