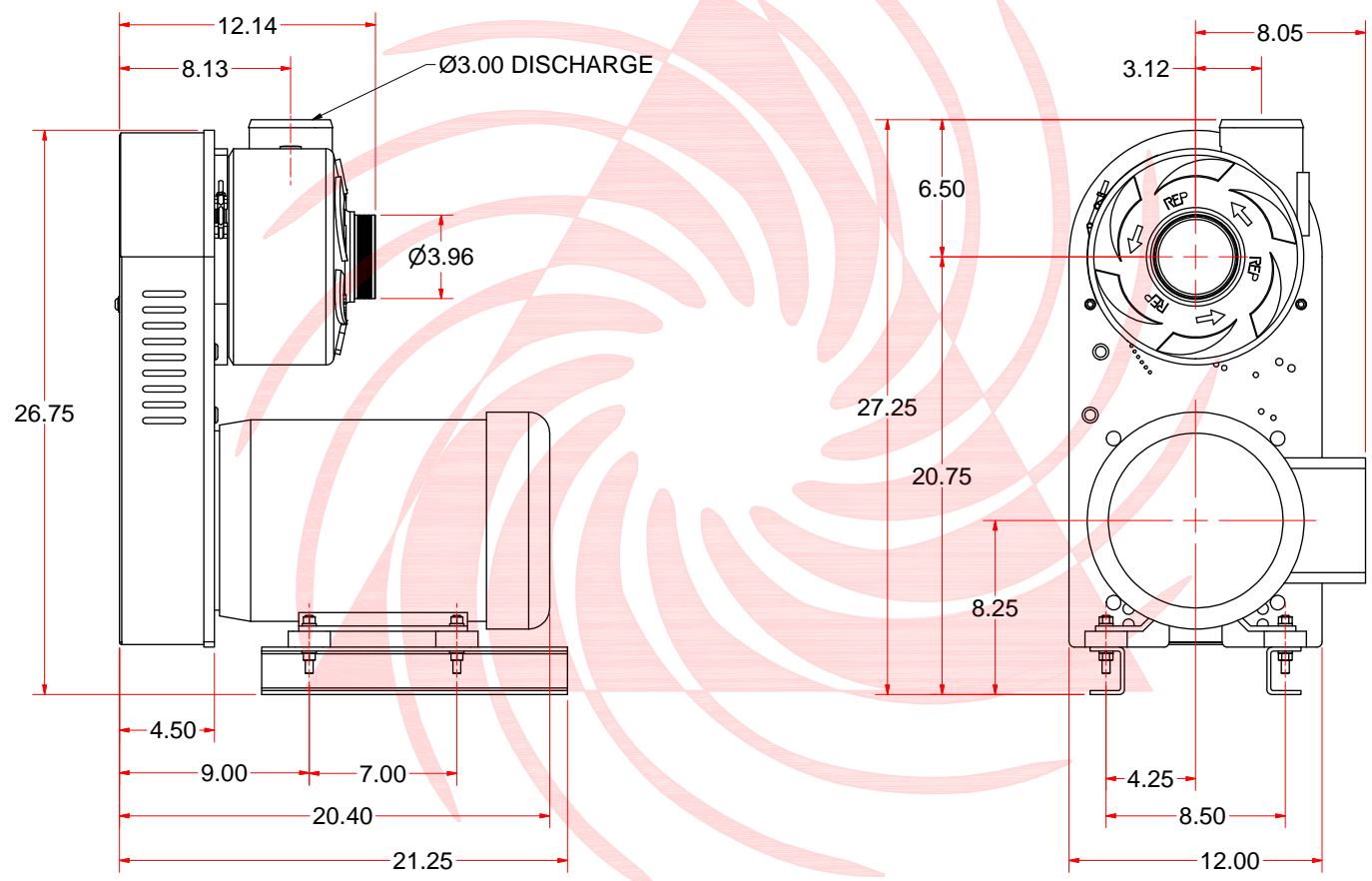


REVISIONS		DATE	REV BY	ZONE
ECR#	REV	DESCR PTIONS		



REPUBLIC

RB1200 10HP BALDOR MOTOR,
BLOWER POSITION 3

UNLESS OTHERWISE SPECIFIED ALL DIMENSIONS ARE IN INCHES DECIMALS: FRACT ONS: ANGLES: XXX = ± .005 ± 1/32 ± 0° 30' XX = ± .010 BREAK ALL SHARP EDGES MACHINE SURFACE FINISH N° RMS 125	DRAWN Ben Valdez ROUTING	7/26/2011	Republic Sales & Mfg. www.republicsales.com		
	QA MFG		TITLE RB1200HC Blower Assembly		
	APPROVED		SIZE C	DWG NO 200-9600HC	REV
	MATERIAL FINISH		SCALE	SHEET 1 OF 1	

Blower Systems®